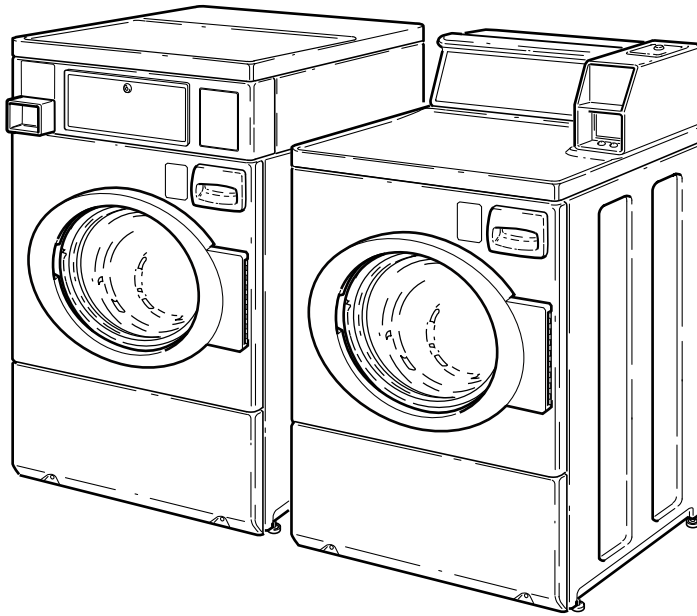


# Commercial Frontload Washers

Refer to Page 5 for Model Numbers



FLW1535C\_803401



# Table of Contents

Title	Page
Parts Ordering Information.....	3
Nameplate Location.....	3
Model Identification.....	5
Control Panel and Controls (Drawing 1 of 3).....	6
Control Panel and Controls (Drawing 2 of 3).....	8
Control Panel and Controls (Drawing 3 of 3).....	10
Top Assembly.....	12
Control Cabinet Controls (Drawing 1 of 3).....	14
Control Cabinet Controls (Drawing 2 of 3).....	16
Control Cabinet Controls (Drawing 3 of 3).....	18
Network Board Assembly.....	20
Control Cabinet and Controls (Drawing 1 of 2).....	22
Control Cabinet and Controls (Drawing 2 of 2).....	24
Electrical Access Panel, Filters and Terminal Block.....	26
Coin Cabinet Front.....	28
Wrapper Assembly.....	30
Non-Electronic Coin Drop.....	32
Electronic Coin Drop.....	34
Card Cabinet Front and Wrapper Assembly.....	36
Non-Electronic Coin Drop, Meter Case and Cabinet Top.....	38
Control Panel, Control Hood and Controls (Drawing 1 of 2).....	40
Control Hood Security Kit.....	42
Control Panel, Control Hood and Controls (Drawing 2 of 2).....	44
Door Bezel Kits.....	46
Door Assembly.....	48
Front Panel and Door Seal (Drawing 1 of 2).....	50
Front Panel and Door Seal (Drawing 2 of 2).....	52
Dispenser Assembly and Supply Injection Hoses.....	54
Dispenser Assembly (Drawing 1 of 3).....	56
Dispenser Assembly (Drawing 2 of 3).....	58
Dispenser Assembly (Drawing 3 of 3).....	60
Mixing Valve, Inlet Hose and Dispenser Hose.....	62
Outer Tub, Clamp Ring and Shock Absorbers.....	64
Outer Tub, Clamp Ring, Shock Absorbers and Heating Element.....	66
Inner Basket, Trunnion, Bearing Housing and Pulley.....	68
Motor and Belt.....	70
Drain Hoses and Valve.....	72
Hoses and Pump.....	74
Side Panels (Drawing 1 of 2).....	76
Side Panels (Drawing 2 of 2).....	78
Base and Rear Panel.....	80

© Copyright 2013, Alliance Laundry Systems LLC

All rights reserved. No part of the contents of this book may be reproduced or transmitted in any form or by any means without the expressed written consent of the publisher.

Junction Box .....	82
Junction Box and Power Cord .....	84
Shipping Materials .....	86
Wire Ties, Harness Clips and Lead-In Cord.....	88
Special Tools .....	90
Option Labels.....	92
Labels (Drawing 1 of 3).....	94
Labels (Drawing 2 of 3).....	96
Labels (Drawing 3 of 3).....	98
Wire Harnesses and Wires .....	100
Base Harness .....	102
Parts Index.....	105

## Parts Ordering Information

If literature or replacement parts are required, contact the source from whom the machine was purchased or contact Alliance Laundry Systems at (920) 748-3950 for the name and address of the nearest authorized parts distributor.

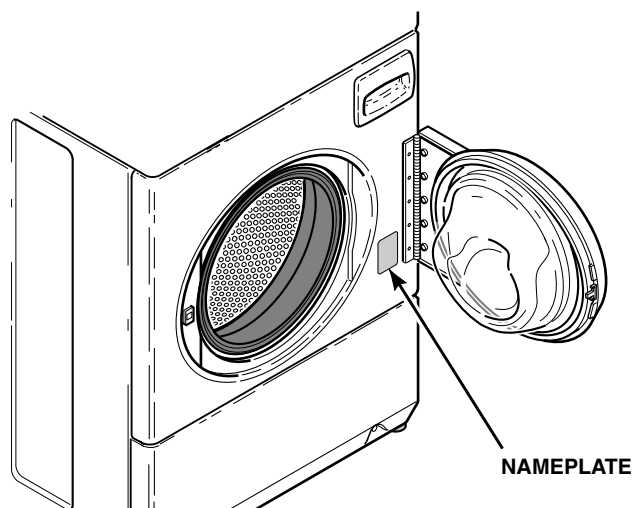
For technical assistance, call either of the numbers listed below:

(920) 748-3121 Ripon, Wisconsin

+32 56 41 20 54 Wevelgem, Belgium

## Nameplate Location

When calling or writing about your product, be sure to mention model and serial numbers. Model and serial numbers are located on nameplate(s) as shown.



FLW2123N\_803401



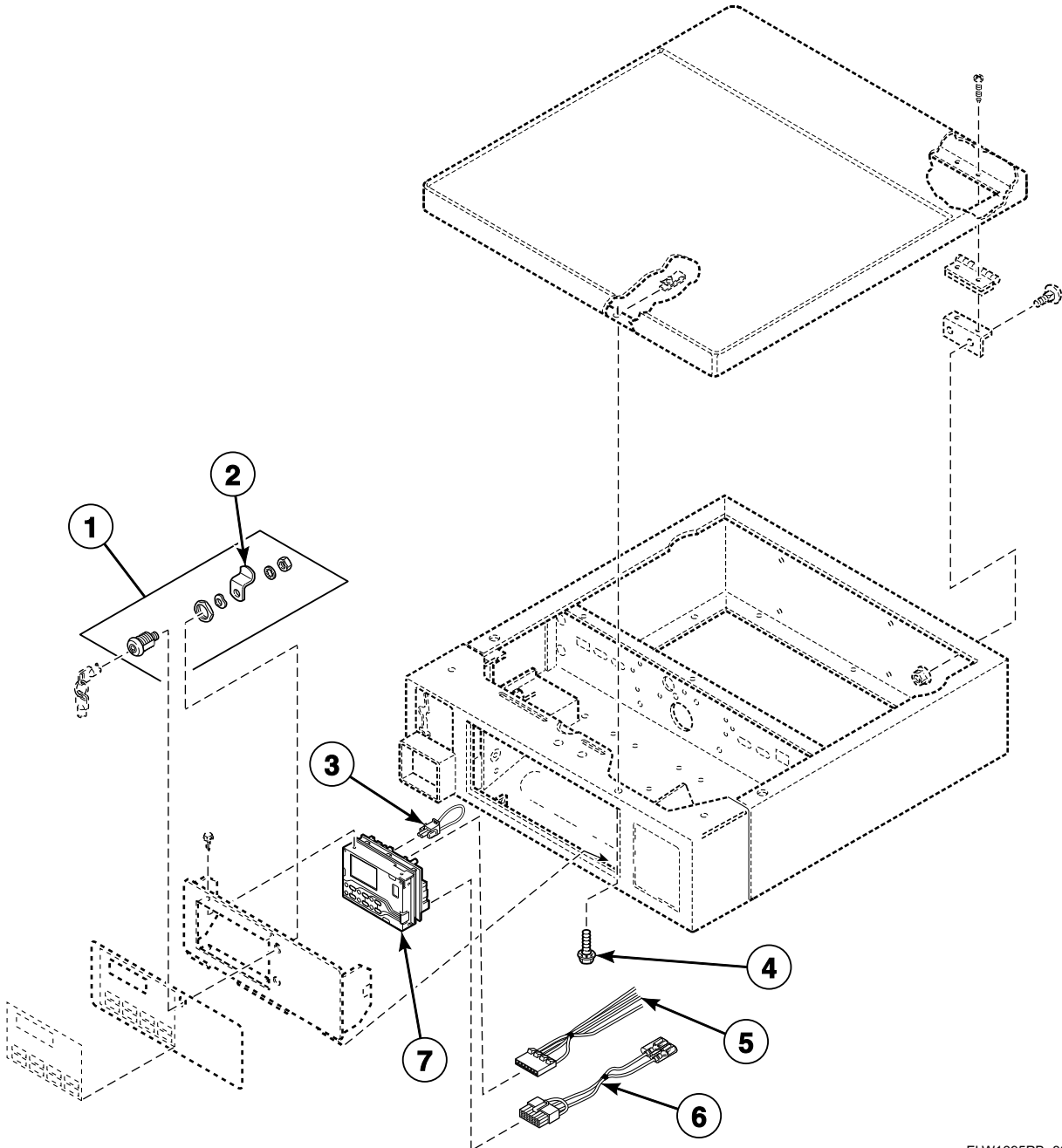
## Model Identification

Information in this manual is applicable to these washer models:

BF3LLFSG401UN01	JF3LEFSP411EW01	RFNLYFSP111CW01	SFNNCFJP112TW01
BF3LLFSG401UW01	JF3LGFSP411EW01	SFNLCFJP111TW01	SFNNCFSG111TN01
BF3LLFSG402UN01	JF3LGFSP411EW06	SFNLCFSG111TN01	SFNNCFSG112TN01
BF3LLFSG402UW01	JF3LMFSG411EN01	SFNLCFSG111TQ01	SFNNCFSG112TQ01
BF3LLFSP401UN01	JF3LMFSG411EN06	SFNLCFSG111TW01	SFNNCFSG112TW01
BF3LLFSP401UW01	JFNLEFSG301EW01	SFNLCFSG111TWNA	SFNNCFSP111TN01
BF3LLFSP402UN01	JFNLEFSP301EW01	SFNLCFSP111TN01	SFNNCFSP111TW01
BF3LLFSP402UW01	NF3LLFSG401UN01	SFNLCFSP111TQ01	SFNNCFSP112TN01
BF3LXFSG401UN01	NF3LLFSG401UT01	SFNLCFSP111TW01	SFNNCFSP112TQ01
BF3LXFSG401UW01	NF3LLFSG401UT06	SFNLCFSP111TWNA	SFNNCFSP112TW01
BF3LXFSG402UN01	NF3LLFSG402UN01	SFNLCRSP111TW01	SFNNCRSP111TW01
BF3LXFSP401UN01	NF3LLFSG402UT01	SFNLCRSP111TW02	SFNNCRSP111TW02
BF3LXFSP401UW01	NF3LLFSG402UT06	SFNLCRSP111TWAF	SFNNCRSP112TW01
BF3LXFSP402UN01	NF3LLFSP401NN22	SFNLCRSP111TWNA	SFNNCRSP112TW02
BF3LXFSP402UW01	NF3LLFSP401NW22	SFNLXFSG111TW01	SFNNXFSG082JW01
HFNLEFSP111CW01	NF3LLFSP401UN01	SFNLXFSP111TN01	SFNNXFSG112TW01
HFNLEFSP111CWNA	NF3LLFSP401UT01	SFNLXFSP111TW01	SFNNXFSP112TN01
HFNLERSP111CW01	NF3LLFSP401UT06	SFNLXFSP301AN01	SFNNXFSP112TW01
HFNLERSP111CWNA	NF3LLFSP401UW01	SFNLXFSP301AW01	SFNNXRSP111TW02
HFNLXFSP111CN01	NF3LLFSP402NN22	SFNLXFSP302AW01	SFNNXRSP112TW02
HFNLXFSP111CW01	NF3LLFSP402NW22	SFNLXFSP302AN01	SFNNXRSP542NW23
HFNLXRSP111CW01	NF3LLFSP402UN01	SFNLXRSP111TW02	SFNNYFJP112TW01
HFNLYFSP111CW01	NF3LLFSP402UT01	SFNLYFJP111TW01	SFNNYFSG112TN01
HFNLYFSP111CWNA	NF3LLFSP402UT06	SFNLYFSG111TN01	SFNNYFSG112TW01
HFNLYRSP111CW01	NF3LLFSP402UW01	SFNLYFSG111TW01	SFNNYFSP112TN01
HFNLYRSP111CWNA	NF3LXFSG401UN01	SFNLYFSG111TWNA	SFNNYFSP112TW01
HFNNEFSP112CW01	NF3LXFSG401UW01	SFNLYFSP111TN01	SFNNYRSP111TW01
HFNNERSP112CW01	NF3LXFSG402UN01	SFNLYFSP111TW01	SFNNYRSP112TW01
HFNNXFSP112CN01	NF3LXFSG402UW01	SFNLYFSP111TWNA	SFNWCFSG111TN01
HFNNXFSP111CW01	NF3LXFSP401UN01	SFNLYRSP111TW01	SFNWCFSG112TN01
HFNNXFSP112CW01	NF3LXFSP401UW01	SFNLYRSP111TWNA	SFNWCFSG112TN11
HFNNXRSP111CW01	NF3LXFSP402NW22		SFNWCFSP111TN01
HFNNXRSP112CW01	NF3LXFSP402UN01		SFNWCFSP112TN01
HFNNYFSP112CW01	NF3LXFSP402UW01		SFNWCFSP112TN11
HFNNYRSP112CW01	NF3LXFSP402UW06		SFNWYFSG111TN01
	NF3LYFSG401UW01		SFNWYFSG112TN01
	NF3LYFSG402UW01		SFNWYFSP111TN01
			SFNWYFSP112TN01
			SFNWYFSP112TN11

# Control Panel and Controls (Drawing 1 of 3)

Models BF3LXFSG401UN01, BF3LXFSG401UW01, BF3LXFSG402UN01, BF3LXFSP401UN01, BF3LXFSP401UW01, BF3LXFSP402UN01, BF3LXFSP402UW01, NF3LXFSG401UN01, NF3LXFSG401UW01, NF3LXFSG402UN01, NF3LXFSG402UW01, NF3LXFSP401UN01, NF3LXFSP401UW01, NF3LXFSP402NW22, NF3LXFSP402UN01, NF3LXFSP402UW01, NF3LXFSP402UW06, NF3LYFSG401UW01, NF3LYFSG402UW01, RFNLYFSP111CW01, SFNLCFJP111TW01, SFNLCFSG111TN01, SFNLCFSG111TQ01, SFNLCFSG111TW01, SFNLCFSG111TWNA, SFNLCFSP111TN01, SFNLCFSP111TQ01, SFNLCFSP111TW01, SFNLCFSP111TWNA, SFNLXFSG111TW01, SFNLXFSP111TN01, SFNLXFSP111TW01, SFNLXFSP301AN01, SFNLXFSP301AW01, SFNLXFSP302AW01, SFNLXFSP302AN01, SFNLYFJP111TW01, SFNLYFSG111TN01, SFNLYFSG111TW01, SFNLYFSG111TWNA, SFNLYFSP111TN01, SFNLYFSP111TW01, SFNLYFSP111TWNA, SFNNCFJP112TW01, SFNNCFSG111TN01, SFNNCFSG112TN01, SFNNCFSG112TQ01, SFNNCFSG112TW01, SFNNCFSP111TN01, SFNNCFSP111TW01, SFNNCFSP112TN01, SFNNCFSP112TQ01, SFNNCFSP112TW01, SFNNXFSG082JW01, SFNNXFSG112TW01, SFNNXFSP112TN01, SFNNXFSP112TW01, SFNNYFJP112TW01, SFNNYFSG112TN01, SFNNYFSG112TW01, SFNNYFSP112TN01, SFNNYFSP112TW01, SFNWCFSG111TN01, SFNWCFSG112TN01, SFNWCFSG112TN11, SFNWCFSF111TN01, SFNWCFSF112TN01, SFNWCFSF112TN11, SFNWFYFSG111TN01, SFNWFYFSG112TN01, SFNWFYFSG112TN11, SFNWFYFSP111TN01, SFNWFYFSP112TN01 and SFNWFYFSP112TN11



FLW1695PB\_803401

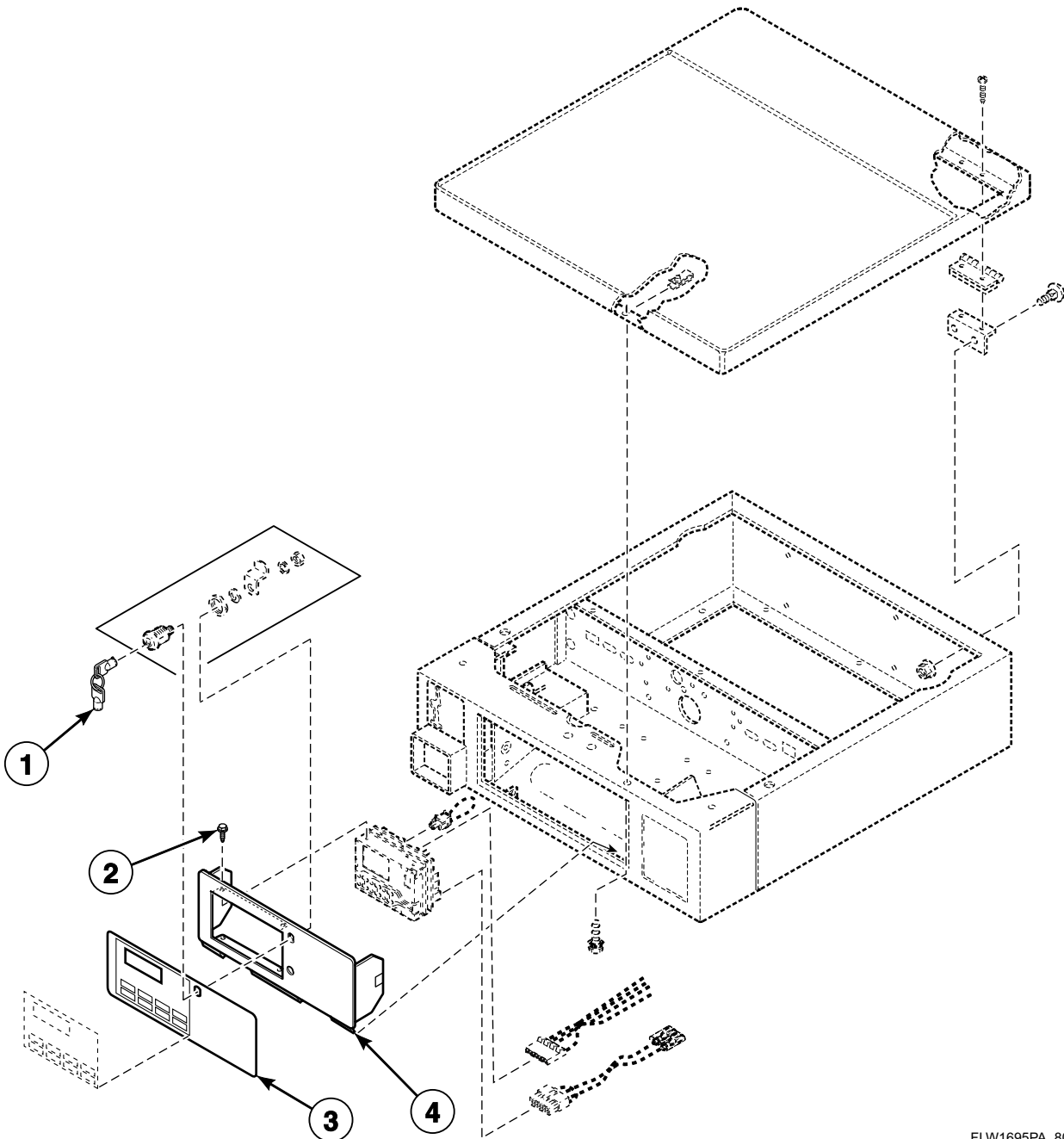


## Control Panel and Controls (Drawing 1 of 3)

REF	PART NO.	DESCRIPTION	COMMENTS
	NK202	Network Retrofit Kit	Wired
	NK220	Network Controller Kit	Wired
	NK301	Wireless Network Kit	
	NK320	Ethernet Gateway Kit	Wireless
	NK330	USB Gateway Kit	Wireless
<b>1</b>	27260P	Lock Kit	
<b>2</b>	27261	Lock Cam	
<b>3</b>	802913P	Wire Harness Assembly	Gravity drain jumper; Models SFNLCFSG111TN01, SFNLCFSG111TQ01, SFNLCFSG111TW01, SFNLCFSG111TWNA, SFNLXFSG111TW01, SFNLYFSG111TN01, SFNLYFSG111TW01, SFNLYFSG111TWNA, SFNNCFSG111TN01, SFNNCFSG112TN01, SFNNCFSG112TQ01, SFNNCFSG112TW01, SFNNXFSG082JW01, SFNNXFSG112TW01, SFNNYFSG112TN01, SFNNYFSG112TW01, SFNWCFSG111TN01, SFNWCFSG112TN01, SFNWCFSG112TN11, SFNWFYFSG111TN01, SFNWFYFSG112TN01 and SFNWFYFSG112TN11
<b>4</b>	23008	Screw	
<b>5</b>	511478	Central Pay Harness	
<b>6</b>	800374	Diagnostic Wire Harness Assembly	Models NF3LYFSG401UW01, NF3LYFSG402UW01, RFNLYFSP111CW01, SFNLYFJP111TW01, SFNLYFSG111TN01, SFNLYFSG111TW01, SFNLYFSG111TWNA, SFNLYFSP111TN01, SFNLYFSP111TW01, SFNLYFSP111TWNA, SFNNYFJP112TW01, SFNNYFSG112TN01, SFNNYFSG112TW01, SFNNYFSP112TN01, SFNNYFSP112TW01, SFNWFYFSG111TN01, SFNWFYFSG112TN01, SFNWFYFSG112TN11, SFNWFYFSP111TN01, SFNWFYFSP112TN01 and SFNWFYFSP112TN11
<b>7</b>	802912P	Control Assembly	Models BF3LXFSG401UN01, BF3LXFSG401UW01, BF3LXFSG402UN01, BF3LXFSP401UN01, BF3LXFSP401UW01, BF3LXFSP402UN01, BF3LXFSP402UW01, NF3LXFSG401UN01, NF3LXFSG401UW01, NF3LXFSG402UN01, NF3LXFSG402UW01, NF3LXFSP401UN01, NF3LXFSP401UW01, NF3LXFSP402NW22, NF3LXFSP402UN01, NF3LXFSP402UW01, NF3LXFSP402UW06, NF3LYFSG401UW01 and NF3LYFSG402UW01
	803619	Control Assembly	All other models

# Control Panel and Controls (Drawing 2 of 3)

Models BF3LXFSG401UN01, BF3LXFSG401UW01, BF3LXFSG402UN01, BF3LXFSP401UN01, BF3LXFSP401UW01, BF3LXFSP402UN01, BF3LXFSP402UW01, NF3LXFSG401UN01, NF3LXFSG401UW01, NF3LXFSG402UN01, NF3LXFSG402UW01, NF3LXFSP401UN01, NF3LXFSP401UW01, NF3LXFSP402NW22, NF3LXFSP402UN01, NF3LXFSP402UW01, NF3LXFSP402UW06, NF3LYFSG401UW01, NF3LYFSG402UW01, RFNLYFSP111CW01, SFNLCFJP111TW01, SFNLCFSG111TN01, SFNLCFSG111TQ01, SFNLCFSG111TW01, SFNLCFSG111TWNA, SFNLCFSP111TN01, SFNLCFSP111TQ01, SFNLCFSP111TW01, SFNLCFSP111TWNA, SFNLXFSG111TW01, SFNLXFSP111TN01, SFNLXFSP111TW01, SFNLXFSP301AN01, SFNLXFSP301AW01, SFNLXFSP302AW01, SFNLXFSP302AN01, SFNLYFJP111TW01, SFNLYFSG111TN01, SFNLYFSG111TW01, SFNLYFSG111TWNA, SFNLYFSP111TN01, SFNLYFSP111TW01, SFNLYFSP111TWNA, SFNNCFJP112TW01, SFNNCFSG111TN01, SFNNCFSG112TN01, SFNNCFSG112TQ01, SFNNCFSG112TW01, SFNNCFSP111TN01, SFNNCFSP111TW01, SFNNCFSP112TN01, SFNNCFSP112TQ01, SFNNCFSP112TW01, SFNNXFSG082JW01, SFNNXFSG112TW01, SFNNXFSP112TN01, SFNNXFSP112TW01, SFNNYFJP112TW01, SFNNYFSG112TN01, SFNNYFSG112TW01, SFNNYFSP112TN01, SFNNYFSP112TW01, SFNWCFSG111TN01, SFNWCFSG112TN01, SFNWCFSG112TN11, SFNWCFSF111TN01, SFNWCFSF112TN01, SFNWCFSF112TN11, SFNWFYFSG111TN01, SFNWFYFSG112TN01, SFNWFYFSG112TN11, SFNWFYFSP111TN01, SFNWFYFSP112TN01 and SFNWFYFSP112TN11



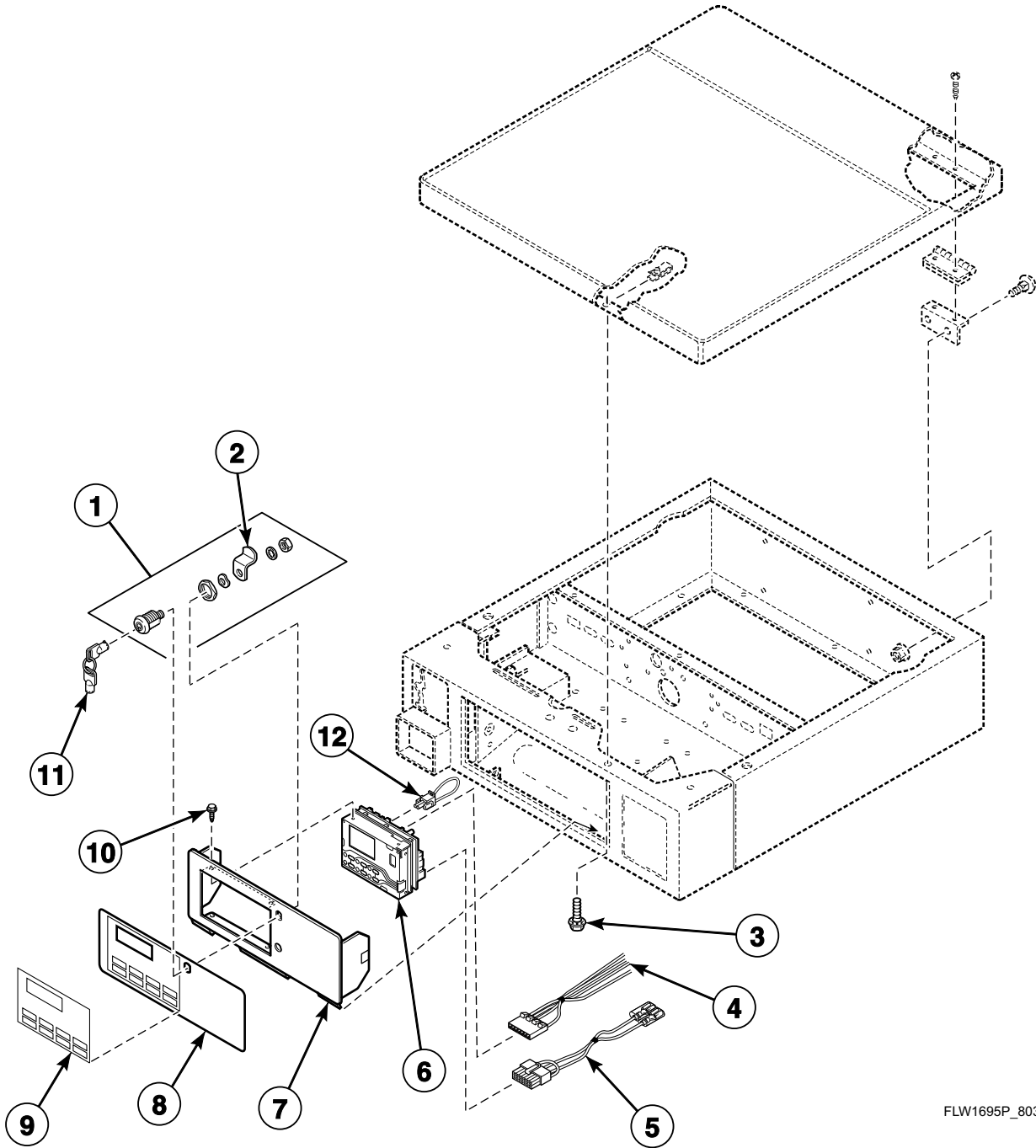
FLW1695PA\_803401

## Control Panel and Controls (Drawing 2 of 3)

REF	PART NO.	DESCRIPTION	COMMENTS
	NK202	Network Retrofit Kit	Wired
	NK220	Network Controller Kit	Wired
	NK301	Wireless Network Kit	
	NK320	Ethernet Gateway Kit	Wireless
	NK330	USB Gateway Kit	Wireless
1	54612	Key	GR800
2	501524	Screw	
3	802885	Control Overlay	Models SFNLCFJP111TW01, SFNLCFSG111TN01, SFNLCFSG111TQ01, SFNLCFSG111TW01, SFNLCFSG111TWNA, SFNLCFSP111TN01, SFNLCFSP111TQ01, SFNLCFSP111TW01, SFNLCFSP111TWNA, SFNLXFSG111TW01, SFNLXFSP111TN01, SFNLXFSP111TW01, SFNLXFSP301AN01, SFNLXFSP301AW01, SFNLXFSP302AW01, SFNLXFSP302AN01, SFNLYFJP111TW01, SFNLYFSG111TN01, SFNLYFSG111TW01, SFNLYFSG111TWNA, SFNLYFSP111TN01, SFNLYFSP111TW01, SFNLYFSP111TWNA, SFNNCFJP112TW01, SFNNCFSG111TN01, SFNNCFSG112TN01, SFNNCFSG112TQ01, SFNNCFSG112TW01, SFNNCFSP111TN01, SFNNCFSP111TW01, SFNNCFSP112TN01, SFNNCFSP112TQ01, SFNNCFSP112TW01, SFNNXFSG082JW01, SFNNXFSG112TW01, SFNNXFSP112TN01, SFNNXFSP112TW01, SFNNYFJP112TW01, SFNNYFSG112TN01, SFNNYFSG112TW01, SFNNYFSP112TN01, SFNNYFSP112TW01, SFNWCFSG111TN01, SFNWCFSG112TN01, SFNWCFSG112TN11, SFNWCFSP111TN01, SFNWCFSP112TN01, SFNWCFSP112TN11, SFNWFYFSG111TN01, SFNWFYFSG112TN01, SFNWFYFSG112TN11, SFNWFYFSP111TN01, SFNWFYFSP112TN01 and SFNWFYFSP112TN11
	802984	Control Overlay	Model RFNLYFSP111CW01
	803138	Overlay	Models BF3LXFSG401UN01, BF3LXFSG402UN01, BF3LXFSG401UW01, BF3LXFSP401UN01, BF3LXFSP402UN01, BF3LXFSP401UW01 and BF3LXFSP402UW01
	802945	Overlay	Models NF3LXFSG401UN01, NF3LXFSG401UW01, NF3LXFSG402UN01, NF3LXFSG402UW01, NF3LXFSP401UN01, NF3LXFSP401UW01, NF3LXFSP402NW22, NF3LXFSP402UN01, NF3LXFSP402UW01, NF3LXFSP402UW06, NF3LYFSG401UW01 and NF3LYFSG402UW01
4	800035Q	Control Panel and Bracket Assembly	Models SFNLCFSG111TQ01, SFNLCFSP111TQ01, SFNNCFSG112TQ01 and SFNNCFSP112TQ01
	800035B	Control Panel and Bracket Assembly	Models BF3LXFSG401UN01, BF3LXFSG402UN01, BF3LXFSP401UN01, BF3LXFSP402UN01, NF3LXFSG401UN01, NF3LXFSG402UN01, NF3LXFSP401UN01, NF3LXFSP402UN01, SFNLCFSG111TN01, SFNLCFSP111TN01, SFNLXFSP111TN01, SFNLXFSP301AN01, SFNLXFSP302AN01, SFNLYFSG111TN01, SFNLYFSP111TN01, SFNNCFSG111TN01, SFNNCFSG112TN01, SFNNCFSP111TN01, SFNNCFSP112TN01, SFNNXFSP112TN01, SFNNYFSG112TN01, SFNNYFSP112TN01, SFNWCFSG111TN01, SFNWCFSG112TN01, SFNWCFSG112TN11, SFNWCFSP111TN01, SFNWCFSP112TN01, SFNWCFSP112TN11, SFNWFYFSG111TN01, SFNWFYFSG112TN01, SFNWFYFSG112TN11, SFNWFYFSP111TN01, SFNWFYFSP112TN01 and SFNWFYFSP112TN11
	800035W	Control Panel and Bracket Assembly	All other models

# Control Panel and Controls (Drawing 3 of 3)

Models HFNLEFSP111CW01, HFNLEFSP111CWNA, HFNLXFSP111CN01, HFNLXFSP111CW01, HFNLYFSP111CW01, HFNLYFSP111CWNA, HFNNEFSP112CW01, HFNNXFSP112CN01, HFNNXFSP111CW01, HFNNXFSP112CW01, HFNNYFSP112CW01, JF3LEFSP411EW01, JFNLEFSG301EW01 and JFNLEFSP301EW01



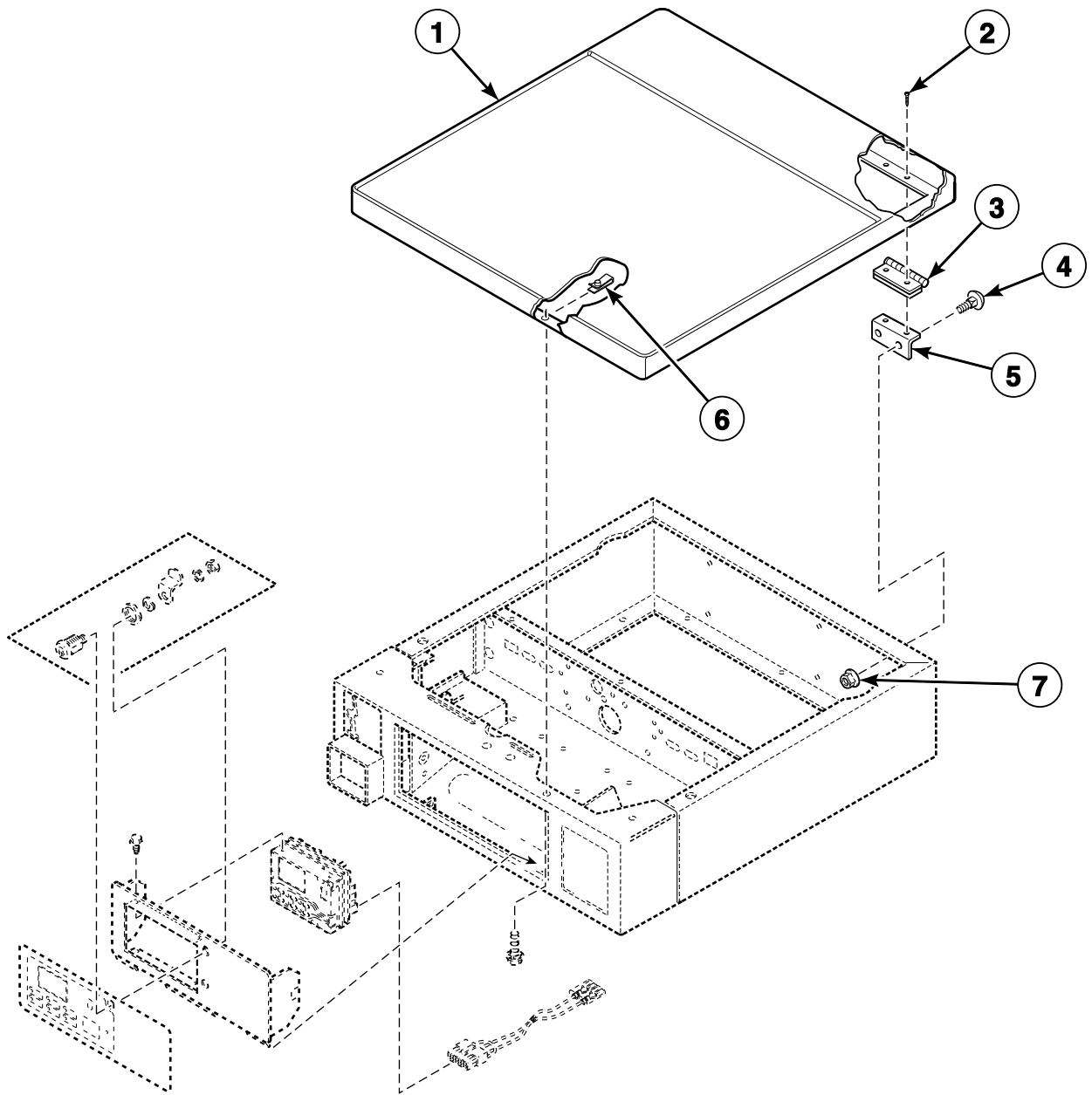
FLW1695P\_803401

## Control Panel and Controls (Drawing 3 of 3)

REF	PART NO.	DESCRIPTION	COMMENTS
	NK202	Network Retrofit Kit	Wired
	NK220	Network Controller Kit	Wired
	NK301	Wireless Network Kit	
	NK320	Ethernet Gateway Kit	Wireless
	NK330	USB Gateway Kit	Wireless
<b>1</b>	27260P	Lock Kit	
<b>2</b>	27261	Lock Cam	
<b>3</b>	23008	Screw	
<b>4</b>	511478	Central Pay Harness	
<b>5</b>	800374	Diagnostic Wire Harness Assembly	Models HFNLYFSP111CW01, HFNLYFSP111CWNA and HFNNYFSP112CW01
<b>6</b>	803306P	Control Assembly	Models JFNLEFSG301EW01 and JFNLEFSP301EW01
	803367P	Control Assembly	Model JF3LEFSP411EW01
	803619	Control Assembly	All other models
<b>7</b>	800035B	Control Panel and Bracket Assembly	Models HFNLXFSP111CN01, HFNNXFSP112CN01, JF3LEFSP411EW01, JFNLEFSG301EW01 and JFNLEFSP301EW01
	800035W	Control Panel and Bracket Assembly	All other models
<b>8</b>	802992	Control Overlay	Models HFNLEFSP111CW01, HFNLEFSP111CWNA, HFNLXFSP111CN01, HFNLXFSP111CW01, HFNLYFSP111CW01, HFNLYFSP111CWNA, HFNNEFSP112CW01, HFNNXFSP112CN01, HFNNXFSP111CW01, HFNNXFSP112CW01 and HFNNYFSP112CW01
	803283	Control Overlay	Models JF3LEFSP411EW01, JFNLEFSG301EW01 and JFNLEFSP301EW01
<b>9</b>	803596	Control Overlay	French/English; Models HFNLEFSP111CW01, HFNLEFSP111CWNA, HFNLXFSP111CN01, HFNLXFSP111CW01, HFNLYFSP111CW01, HFNLYFSP111CWNA, HFNNEFSP112CW01, HFNNXFSP112CN01, HFNNXFSP111CW01, HFNNXFSP112CW01 and HFNNYFSP112CW01
<b>10</b>	501524	Screw	
<b>11</b>	54612	Key	GR800
<b>12</b>	802913P	Wire Harness Assembly	Gravity drain jumper; Model JFNLEFSG301EW01

# Top Assembly

Front Control Coin and Card Models



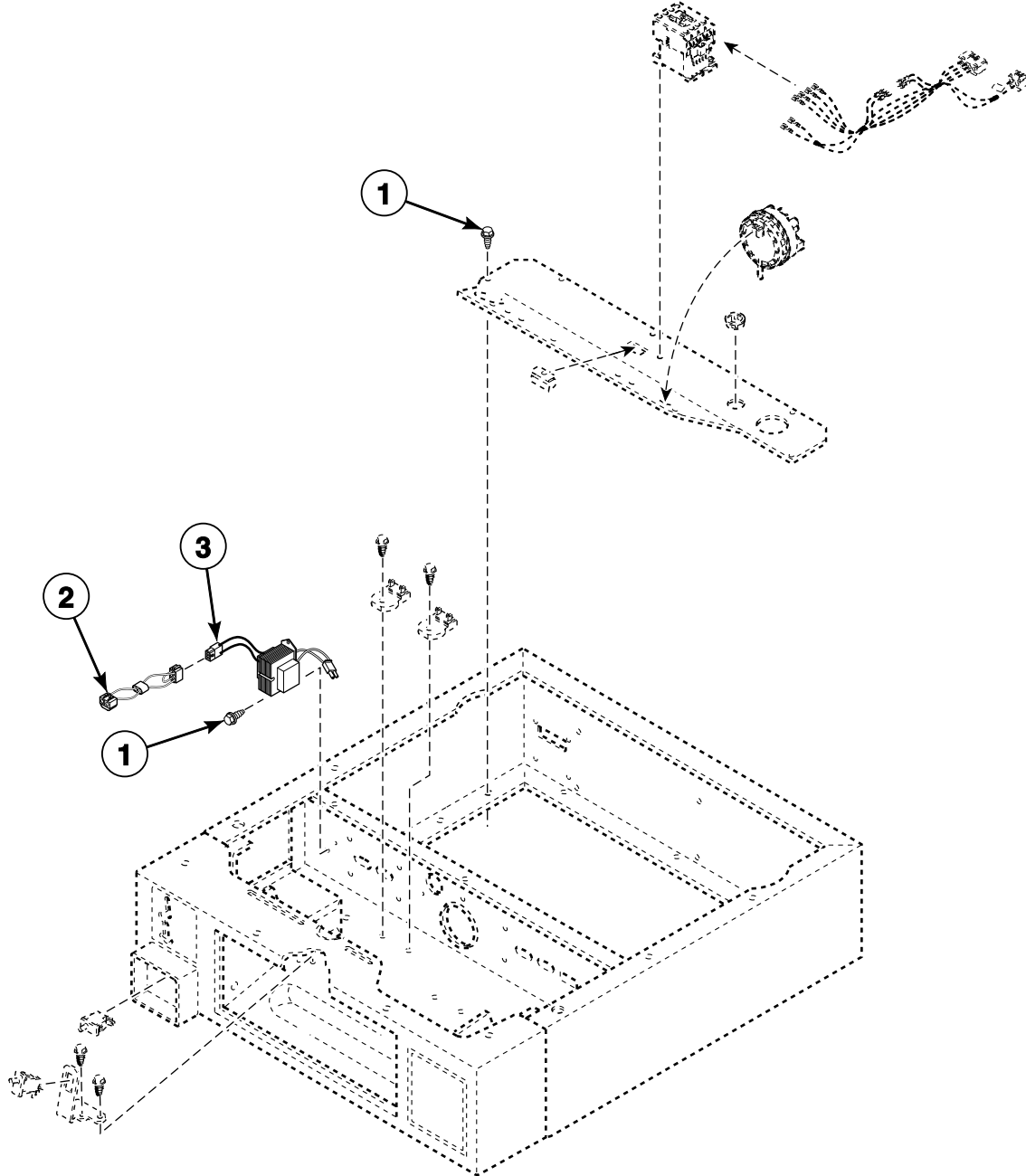
FLW895P\_803401

# Top Assembly

REF	PART NO.	DESCRIPTION	COMMENTS
1	802247QP	Top and Gusset Assembly	Models SFNLCFSG111TQ01, SFNLCFSP111TQ01, SFNNCFSG112TQ01 and SFNNCFSP112TQ01; Includes 802247Q Top and Gusset Assembly, (10) 02788 Nut, (10) 34337 Screw, (2) 510146 Bracket and 2 each items 3 and 5
	512967	Stainless Steel Top	Models BF3LXFSG401UN01, BF3LXFSG402UN01, BF3LXFSP401UN01, BF3LXFSP402UN01, NF3LXFSG401UN01, NF3LXFSG402UN01, NF3LXFSP401UN01 and NF3LXFSP402UN01; Models HFNLXFSP111CN01, HFNNXFSP112CN01, SFNLCFSG111TN01, SFNLCFSP111TN01, SFNLXFSP111TN01, SFNLYFSG111TN01, SFNLYFSP111TN01, SFNNXFSP112TN01, SFNNYFSG112TN01 and SFNNYFSP112TN01 through Serial No. 1005018719
	803144P	Top Kit	Models HFNLXFSP111CN01, HFNNXFSP112CN01, SFNLCFSG111TN01, SFNLCFSP111TN01, SFNLXFSP111TN01, SFNLYFSG111TN01, SFNLYFSP111TN01, SFNNXFSP112TN01, SFNNYFSG112TN01 and SFNNYFSP112TN01 starting Serial No. 1005018720; Models SFNLXFSP301AN01, SFNLXFSP302AN01, SFNNCFSG111TN01, SFNNCFSG112TN01, SFNNCFSP111TN01, SFNNCFSP112TN01, SFNWCFSG111TN01, SFNWCFSG112TN01, SFNWCFSP111TN01, SFNWCFSP112TN01, SFNWCFSP112TN11, SFNWYFSG111TN01, SFNWYFSG112TN01, SFNWYFSG112TN11, SFNWYFSP111TN01, SFNWYFSP112TN01 and SFNWYFSP112TN11; Includes items 3, 4, 6, 7 and 4 each 22649 Screw and 51236 Nut
	802247WP	Top and Gusset Assembly	All other models; Includes 802247W Top and Gusset Assembly, (10) 02788 Nut, (10) 34337 Screw, (2) 510146 Bracket and 2 each items 3 and 5
2	685847	Pop Rivet	
3	511036	Hinge	
4	29651	Bolt	
5	504228	Top Mounting Bracket	
6	36020	Nut	
7	44087201	Nut	

# Control Cabinet Controls (Drawing 1 of 3)

Front Control Coin and Card Models



FLW1694PA\_803401

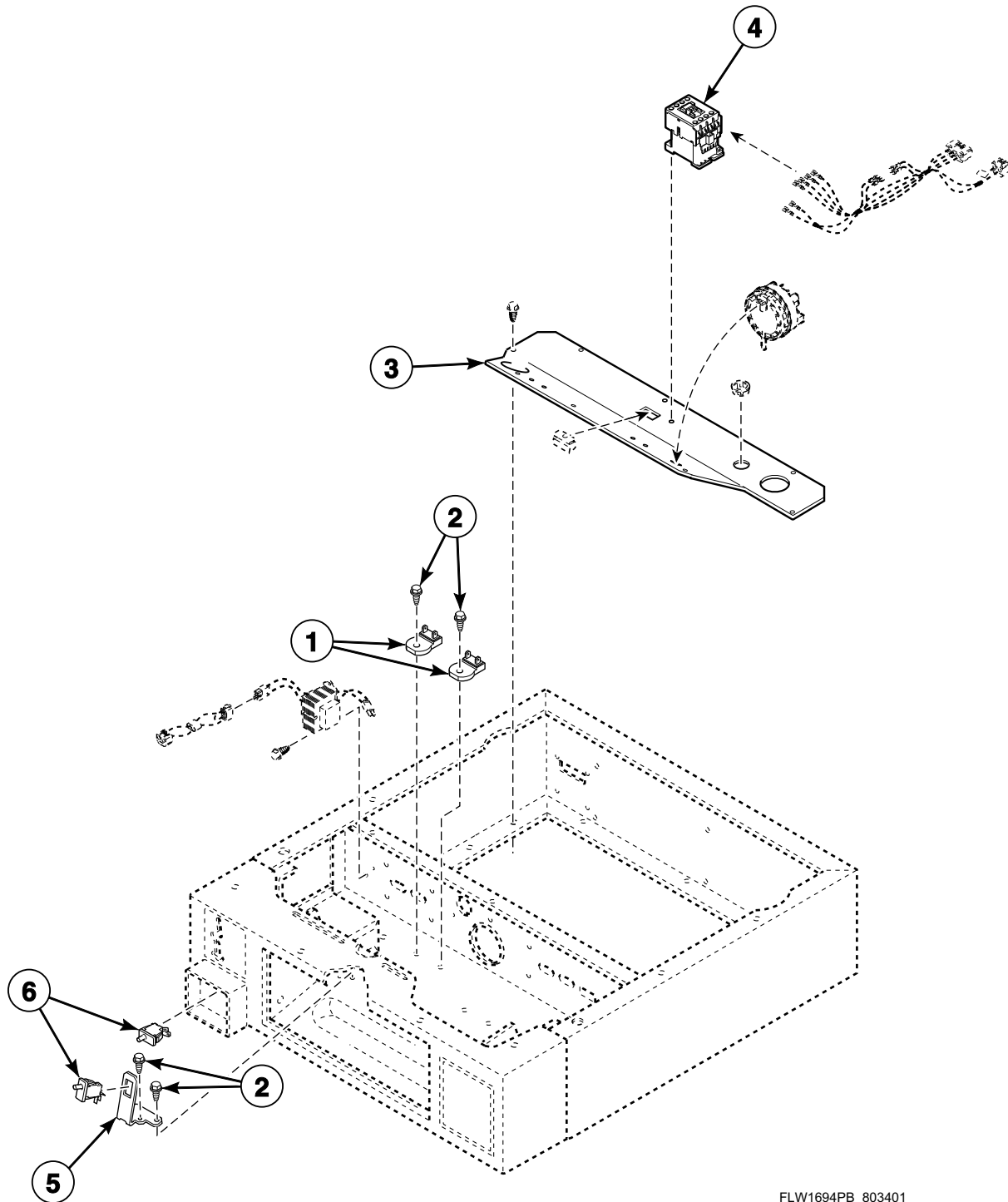


## Control Cabinet Controls (Drawing 1 of 3)

REF	PART NO.	DESCRIPTION	COMMENTS
1	503661	Screw	
2	M413504	Jumper Harness Assembly	Model SFNNXFSG082JW01
	M413507	Jumper Configuration Assembly	Models BF3LXFSG401UN01, BF3LXFSG401UW01, BF3LXFSG402UN01, BF3LXFSP401UN01, BF3LXFSP401UW01, BF3LXFSP402UN01, BF3LXFSP402UW01, JF3LEFSP411EW01, JFNLEFSG301EW01, JFNLEFSP301EW01, NF3LXFSG401UN01, NF3LXFSG401UW01, NF3LXFSG402UN01, NF3LXFSG402UW01, NF3LXFSP401UN01, NF3LXFSP401UW01, NF3LXFSP402NW22, NF3LXFSP402UN01, NF3LXFSP402UW01, NF3LXFSP402UW06, NF3LYFSG401UW01, NF3LYFSG402UW01, SFNLXFSP301AN01, SFNLXFSP301AW01, SFNLXFSP302AW01, SFNLXFSP302AN01, SFNNCFJP112TW01, SFNNCFSG112TN01, SFNNCFSG112TQ01, SFNNCFSG112TW01, SFNNCFSP112TN01, SFNNCFSP112TQ01, SFNNCFSP112TW01, SFNWCFSG112TN01, SFNWCFS112TN01 and SFNWCFS112TN11
3	210018P	Transformer	Models SFNLCFJP111TW01, SFNLCFSG111TN01, SFNLCFSG111TQ01, SFNLCFSG111TW01, SFNLCFSG111TWNA, SFNLCFSP111TN01, SFNLCFSP111TQ01, SFNLCFSP111TW01, SFNLCFSP111TWNA, SFNNCFJP112TW01, SFNNCFSG111TN01, SFNNCFSG112TN01, SFNNCFSG112TQ01, SFNNCFSG112TW01, SFNNCFSP111TN01, SFNNCFSP111TW01, SFNNCFSP112TN01, SFNNCFSP112TQ01, SFNNCFSP112TW01, SFNWCFSG111TN01, SFNWCFSG112TN01, SFNWCFSG112TN11, SFNWCFS111TN01, SFNWCFS112TN01 and SFNWCFS112TN11
	803527P	Transformer	Models BF3LXFSG401UN01, BF3LXFSG401UW01, BF3LXFSG402UN01, BF3LXFSP401UN01, BF3LXFSP401UW01, BF3LXFSP402UN01, BF3LXFSP402UW01, JF3LEFSP411EW01, JFNLEFSG301EW01, JFNLEFSP301EW01, NF3LXFSG401UN01, NF3LXFSG401UW01, NF3LXFSG402UN01, NF3LXFSG402UW01, NF3LXFSP401UN01, NF3LXFSP401UW01, NF3LXFSP402NW22, NF3LXFSP402UN01, NF3LXFSP402UW01, NF3LXFSP402UW06, NF3LYFSG401UW01, NF3LYFSG402UW01, SFNLXFSG111TW01, SFNLXFSP301AN01, SFNLXFSP301AW01, SFNLXFSP302AW01, SFNLXFSP302AN01, SFNNXFSG082JW01 and SFNNXFSG112TW01
	201375P	Transformer	Some models may have jumper wire attached to transformer. Discard jumper wire when replacing transformer; All other models

# Control Cabinet Controls (Drawing 2 of 3)

Front Control Coin and Card Models



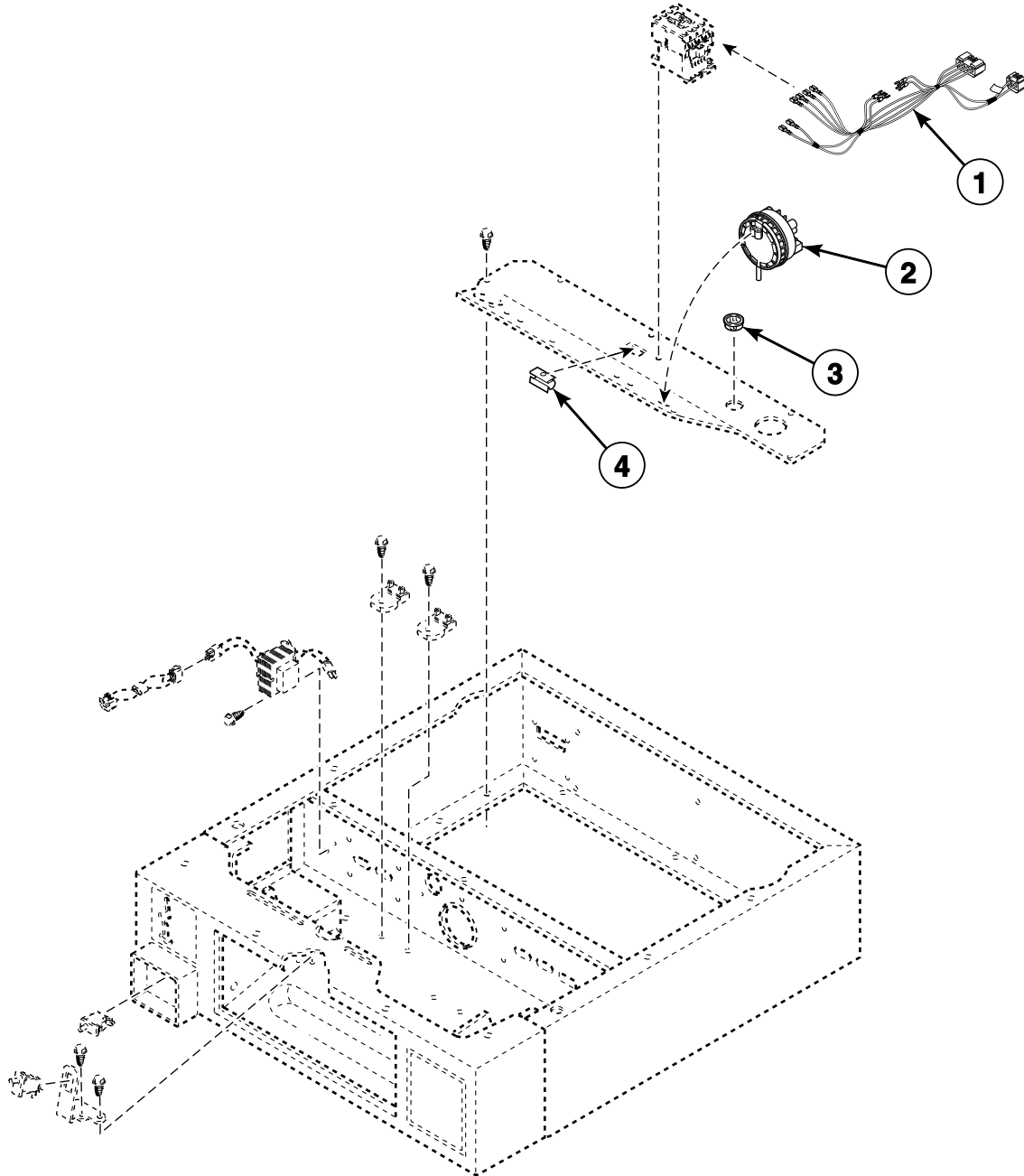
FLW1694PB\_803401

## Control Cabinet Controls (Drawing 2 of 3)

REF	PART NO.	DESCRIPTION	COMMENTS
1	210100	Resistor	Models BF3LXFSG401UN01, BF3LXFSG401UW01, BF3LXFSG402UN01, BF3LXFSP401UN01, BF3LXFSP401UW01, BF3LXFSP402UN01, BF3LXFSP402UW01, JF3LEFSP411EW01, JFNLEFSG301EW01, JFNLEFSP301EW01, NF3LXFSG401UN01, NF3LXFSG401UW01, NF3LXFSG402UN01, NF3LXFSG402UW01, NF3LXFSP401UN01, NF3LXFSP401UW01, NF3LXFSP402NW22, NF3LXFSP402UN01, NF3LXFSP402UW01, NF3LXFSP402UW06, NF3LYFSG401UW01, NF3LYFSG402UW01, SFNLXFSP301AN01, SFNLXFSP301AW01, SFNLXFSP302AW01 and SFNLXFSP302AN01
2	503688	Screw	
3	801371	Control Shield	
4	F330177P	Contactor	Models BF3LXFSG401UN01, BF3LXFSG401UW01, BF3LXFSG402UN01, BF3LXFSP401UN01, BF3LXFSP401UW01, BF3LXFSP402UN01, BF3LXFSP402UW01, JF3LEFSP411EW01, NF3LXFSG401UN01, NF3LXFSG401UW01, NF3LXFSG402UN01, NF3LXFSG402UW01, NF3LXFSP401UN01, NF3LXFSP401UW01, NF3LXFSP402NW22, NF3LXFSP402UN01, NF3LXFSP402UW01, NF3LXFSP402UW06, NF3LYFSG401UW01 and NF3LYFSG402UW01; Models through Serial Nos. beginning 1210
	F8379101	Contactor	Models BF3LXFSG401UN01, BF3LXFSG401UW01, BF3LXFSG402UN01, BF3LXFSP401UN01, BF3LXFSP401UW01, BF3LXFSP402UN01, BF3LXFSP402UW01, JF3LEFSP411EW01, NF3LXFSG401UN01, NF3LXFSG401UW01, NF3LXFSG402UN01, NF3LXFSG402UW01, NF3LXFSP401UN01, NF3LXFSP401UW01, NF3LXFSP402NW22, NF3LXFSP402UN01, NF3LXFSP402UW01, NF3LXFSP402UW06, NF3LYFSG401UW01 and NF3LYFSG402UW01; Models starting Serial Nos. beginning 1210
5	800379	Audit Switch Bracket	
6	512973	Switch	

# Control Cabinet Controls (Drawing 3 of 3)

Front Control Coin and Card Models



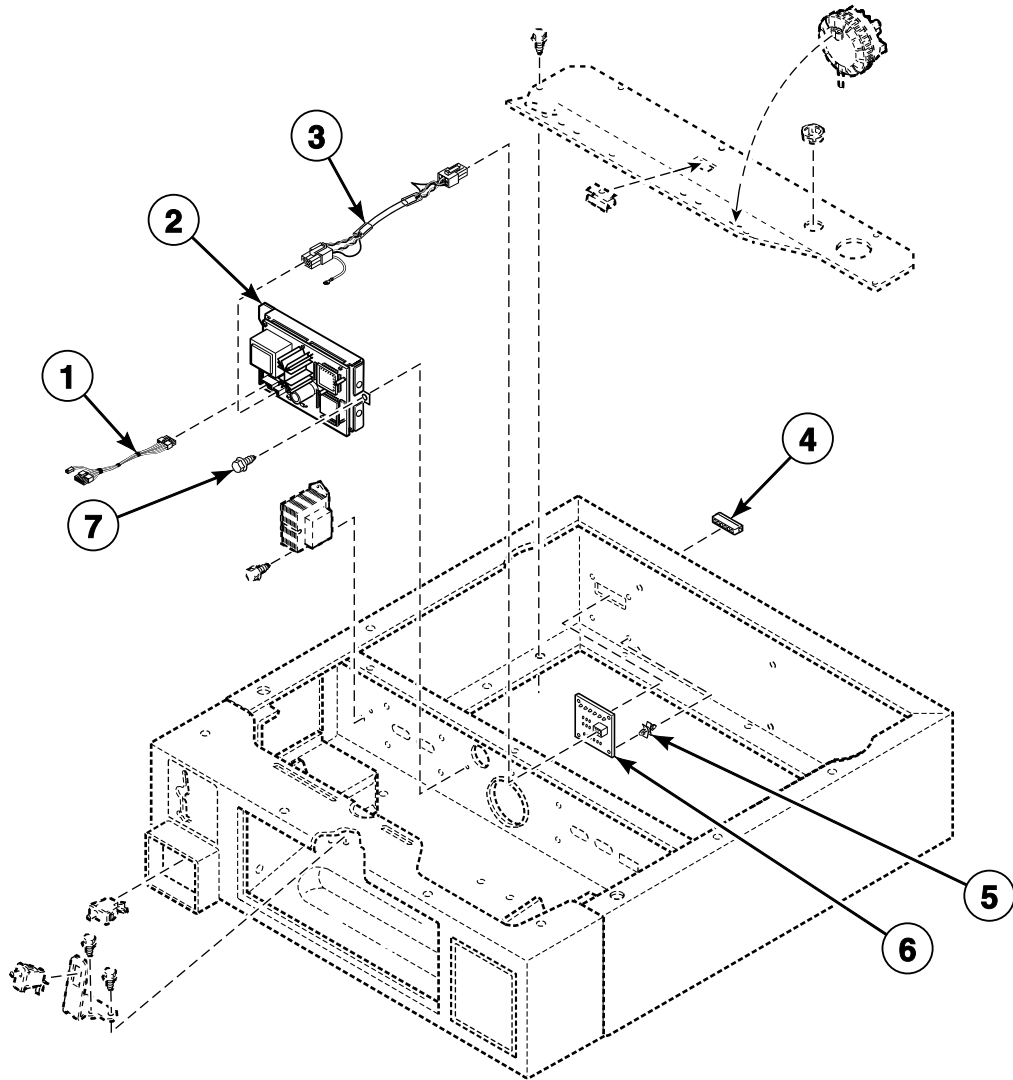
FLW1694PC\_803401

## Control Cabinet Controls (Drawing 3 of 3)

REF	PART NO.	DESCRIPTION	COMMENTS
1	801120P	Contactor Wire Harness Assembly	Models BF3LXFSG401UN01, BF3LXFSG401UW01, BF3LXFSG402UN01, BF3LXFSP401UN01, BF3LXFSP401UW01, BF3LXFSP402UN01, BF3LXFSP402UW01, JF3LEFSP411EW01, NF3LXFSG401UN01, NF3LXFSG401UW01, NF3LXFSG402UN01, NF3LXFSG402UW01, NF3LXFSP401UN01, NF3LXFSP401UW01, NF3LXFSP402NW22, NF3LXFSP402UN01, NF3LXFSP402UW01, NF3LXFSP402UW06, NF3LYFSG401UW01 and NF3LYFSG402UW01; Models through Serial Nos. beginning 1210
	804229	Contactor Wire Harness Assembly	Models BF3LXFSG401UN01, BF3LXFSG401UW01, BF3LXFSG402UN01, BF3LXFSP401UN01, BF3LXFSP401UW01, BF3LXFSP402UN01, BF3LXFSP402UW01, JF3LEFSP411EW01, NF3LXFSG401UN01, NF3LXFSG401UW01, NF3LXFSG402UN01, NF3LXFSG402UW01, NF3LXFSP401UN01, NF3LXFSP401UW01, NF3LXFSP402NW22, NF3LXFSP402UN01, NF3LXFSP402UW01, NF3LXFSP402UW06, NF3LYFSG401UW01 and NF3LYFSG402UW01; Models starting Serial Nos. beginning 1210
2	802299P	Pressure Switch	
3	M402542	Snap Bushing	
4	36985	Hose Clip	

# Network Board Assembly

Models SFNWCFSG111TN01, SFNWCFSG112TN01, SFNWCFSG112TN11, SFNWCFSP111TN01, SFNWCFSP112TN01, SFNWCFSP112TN11, SFNWFYFSG111TN01, SFNWFYFSG112TN01, SFNWFYFSG112TN11, SFNWFYFSP111TN01, SFNWFYFSP112TN01 and SFNWFYFSP112TN11



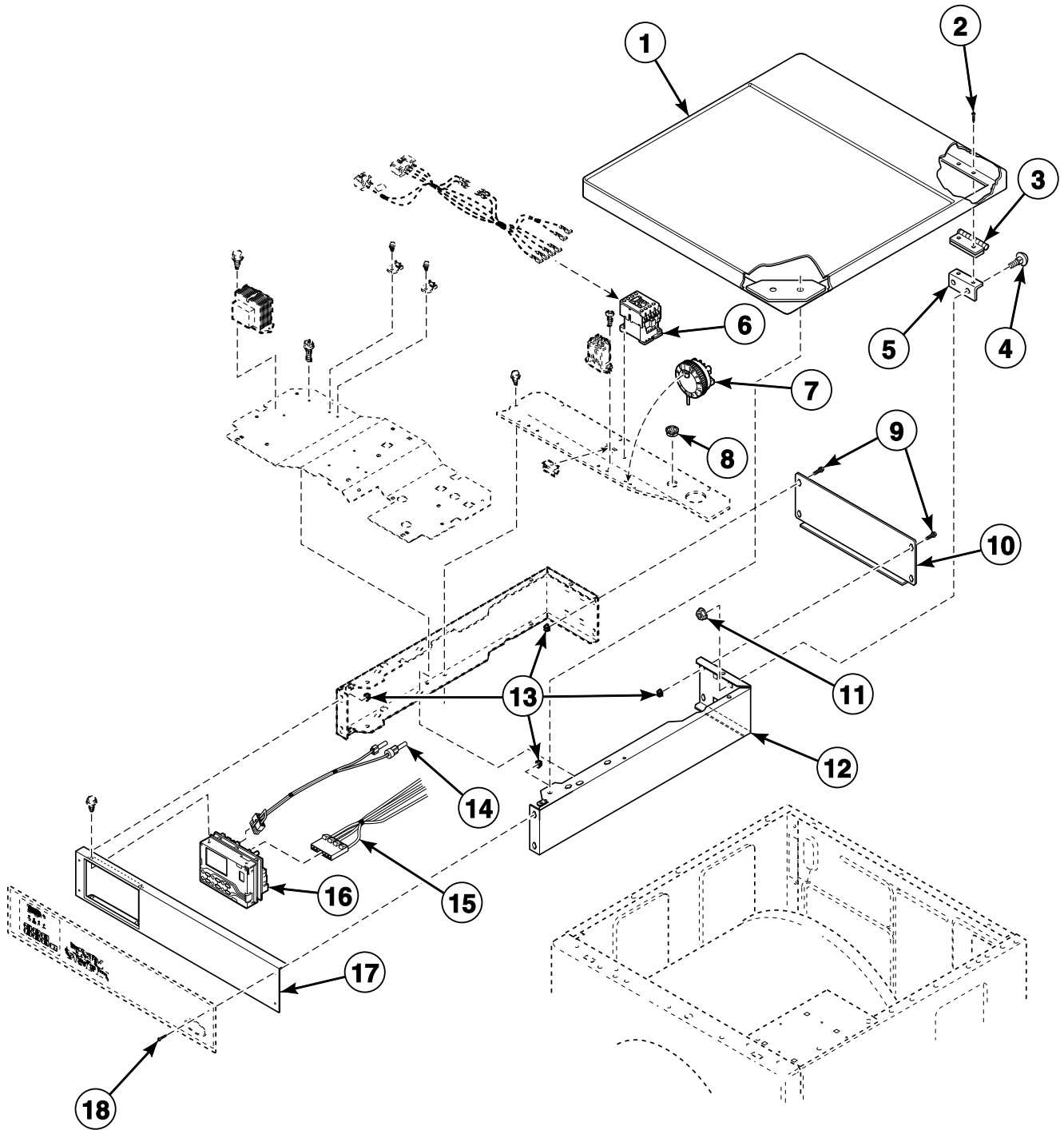
FLW896P\_803401

# Network Board Assembly

REF	PART NO.	DESCRIPTION	COMMENTS
1	44088501P	Network Wire Harness Assembly	
2	202335	Wireless Transceiver Assembly	Model SFNWCFS112TN11
	201341	Network Board Assembly	All other models
3	800216	Network Cable Wire Harness Assembly	All models except SFNWCFS112TN11
4	210099	Communication Connector	
5	210098	PC Board Standoff	All models except SFNWCFS112TN11
6	210095P	Communication Board	All models except SFNWCFS112TN11
7	503661	Screw	

# Control Cabinet and Controls (Drawing 1 of 2)

Models BF3LLFSG401UN01, BF3LLFSG402UN01, BF3LLFSG401UW01, BF3LLFSG402UW01, BF3LLFSP401UN01, BF3LLFSP402UN01, BF3LLFSP401UW01, BF3LLFSP402UW01, JF3LGFSP411EW01, JF3LGFSP411EW06, JF3LMFSG411EN01, JF3LMFSG411EN06, NF3LLFSG401UN01, NF3LLFSG402UN01, NF3LLFSG401UT01, NF3LLFSG402UT01, NF3LLFSG401UT06, NF3LLFSG402UT06, NF3LLFSP401NN22, NF3LLFSP402NN22, NF3LLFSP401NW22, NF3LLFSP402NW22, NF3LLFSP401UN01, NF3LLFSP402UN01, NF3LLFSP401UT01, NF3LLFSP402UT01, NF3LLFSP401UT06, NF3LLFSP402UT06, NF3LLFSP401UW01 and NF3LLFSP402UW01



FLW1696PA\_803401

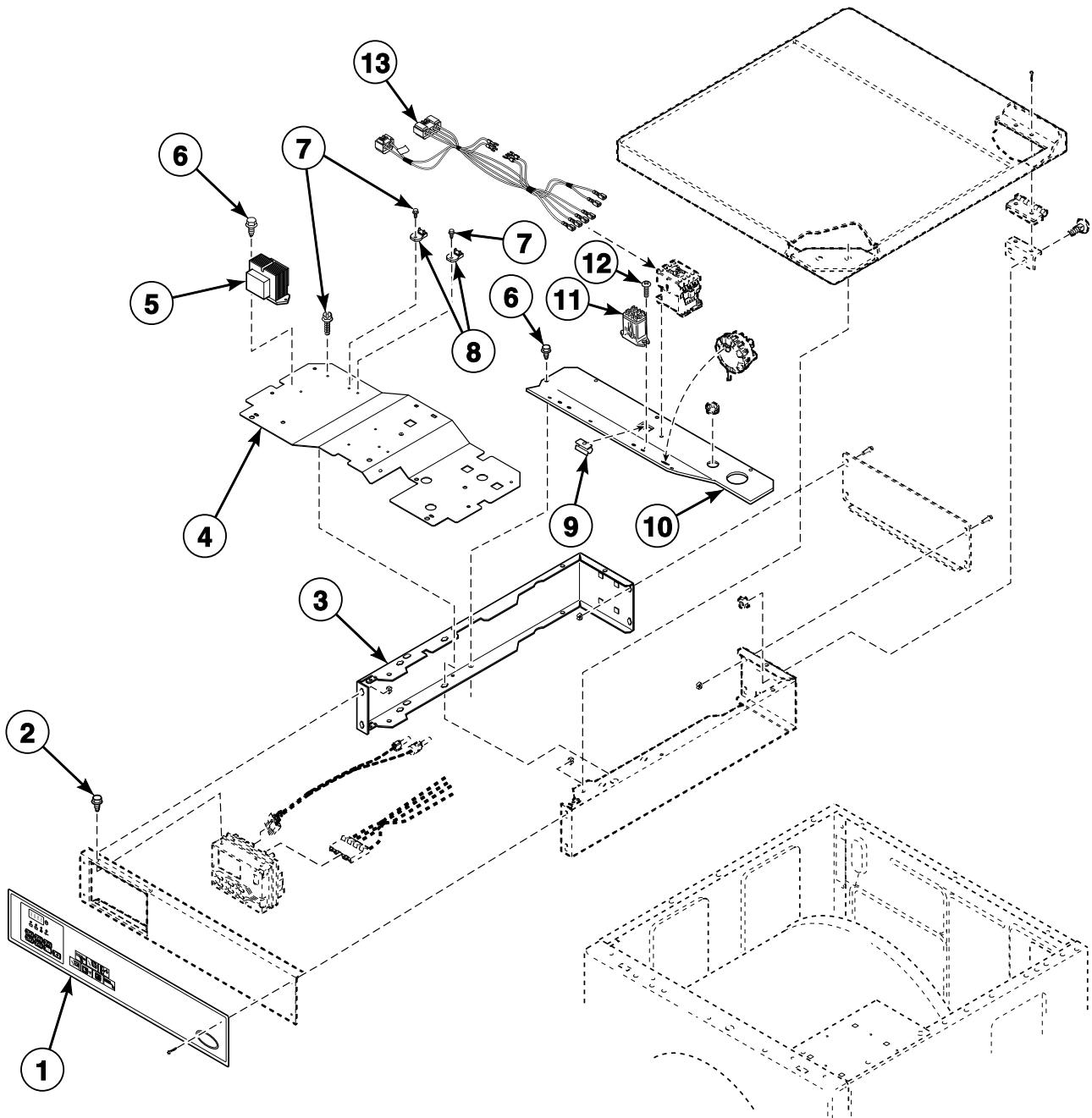


## Control Cabinet and Controls (Drawing 1 of 2)

REF	PART NO.	DESCRIPTION	COMMENTS
1	802247WP	Top and Gusset Assembly	White; Models BF3LLFSG401UW01, BF3LLFSG402UW01, BF3LLFSP401UW01, BF3LLFSP402UW01, JF3LGFSP411EW01, JF3LGFSP411EW06, NF3LLFSP401NW22, NF3LLFSP402NW22, NF3LLFSP401UW01 and NF3LLFSP402UW01
	512967	Stainless Steel Top	All other models
2	685847	Pop Rivet	
3	511036	Hinge	
4	29651	Bolt	
5	504228	Top Mounting Bracket	
6	F330177P	Contactator	Models through Serial Nos. beginning 1210
	F8379101	Contactator	Models starting Serial Nos. beginning 1210
7	803303P	Pressure Switch	Models JF3LMFSG411EN01 and JF3LMFSG411EN06
	802299P	Pressure Switch	All other models
8	M402542	Snap Bushing	
9	70240301	Screw	
10	801058	Rear Control Cabinet	
11	29796	Nut	
12	800915B	Right Control Cabinet Side	Models BF3LLFSG401UN01, BF3LLFSG402UN01, BF3LLFSP401UN01, BF3LLFSP402UN01, JF3LMFSG411EN01, JF3LMFSG411EN06, NF3LLFSG401UN01, NF3LLFSG402UN01, NF3LLFSP401NN22, NF3LLFSP402NN22, NF3LLFSP401UN01 and NF3LLFSP402UN01
	800915W	Right Control Cabinet Side	All other models
13	70030501	Expansion Clip	
14	800680	Diagnostic Wire Harness Assembly	
15	511478	Central Pay Harness	
16	803317P	Control Assembly	Models JF3LGFSP411EW01 and JF3LGFSP411EW06
	803321P	Control Assembly	Model JF3LMFSG411EN01 through Serial Nos. beginning 1003
	803541	Control Assembly	Model JF3LMFSG411EN01 starting Serial Nos. beginning 1003; Model JF3LMFSG411EN06
	802912P	Control Assembly	All other models
17	801737B	Control Panel	Models BF3LLFSG401UN01, BF3LLFSG402UN01, BF3LLFSP401UN01, BF3LLFSP402UN01, JF3LMFSG411EN01, JF3LMFSG411EN06, NF3LLFSG401UN01, NF3LLFSG402UN01, NF3LLFSP401NN22, NF3LLFSP402NN22, NF3LLFSP401UN01 and NF3LLFSP402UN01
	801737W	Control Panel	All other models
18	800930	Screw	

## Control Cabinet and Controls (Drawing 2 of 2)

Models BF3LLFSG401UN01, BF3LLFSG402UN01, BF3LLFSG401UW01, BF3LLFSG402UW01, BF3LLFSP401UN01, BF3LLFSP402UN01, BF3LLFSP401UW01, BF3LLFSP402UW01, JF3LGFSP411EW01, JF3LGFSP411EW06, JF3LMFSG411EN01, JF3LMFSG411EN06, NF3LLFSG401UN01, NF3LLFSG402UN01, NF3LLFSG401UT01, NF3LLFSG402UT01, NF3LLFSG401UT06, NF3LLFSG402UT06, NF3LLFSP401NN22, NF3LLFSP402NN22, NF3LLFSP401NW22, NF3LLFSP402NW22, NF3LLFSP401UN01, NF3LLFSP402UN01, NF3LLFSP401UT01, NF3LLFSP402UT01, NF3LLFSP401UT06, NF3LLFSP402UT06, NF3LLFSP401UW01 and NF3LLFSP402UW01



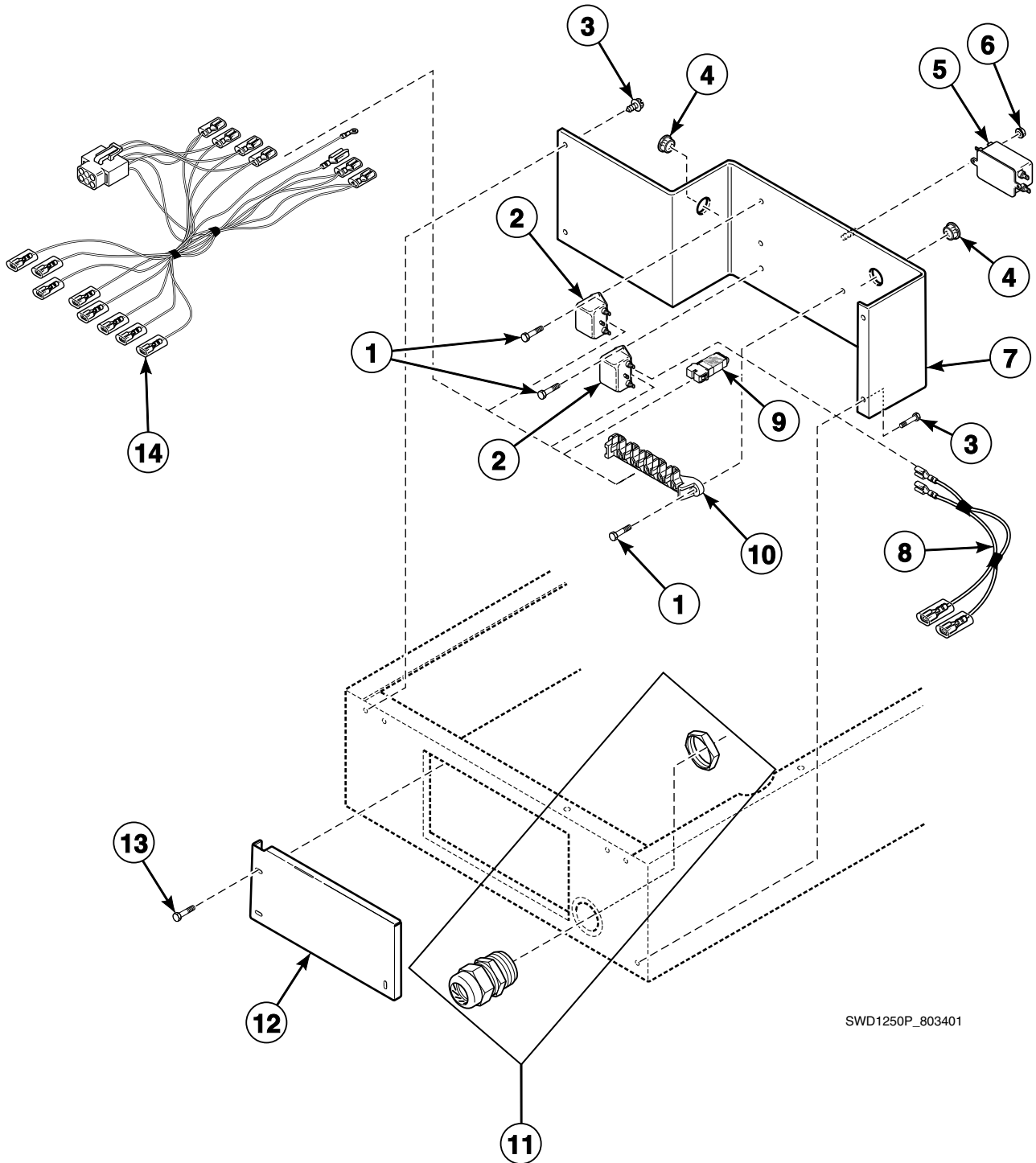
FLW1696PB\_803401

## Control Cabinet and Controls (Drawing 2 of 2)

REF	PART NO.	DESCRIPTION	COMMENTS
1	803137	Graphic Overlay	Models BF3LLFSG401UN01, BF3LLFSG402UN01, BF3LLFSG401UW01, BF3LLFSG402UW01, BF3LLFSP401UN01, BF3LLFSP402UN01, BF3LLFSP401UW01 and BF3LLFSP402UW01
	802995	Graphic Overlay	Models NF3LLFSG401UN01, NF3LLFSG402UN01, NF3LLFSG401UT01, NF3LLFSG402UT01, NF3LLFSG401UT06, NF3LLFSG402UT06, NF3LLFSP401NN22, NF3LLFSP402NN22, NF3LLFSP401NW22, NF3LLFSP402NW22, NF3LLFSP401UN01, NF3LLFSP402UN01, NF3LLFSP401UT01, NF3LLFSP402UT01, NF3LLFSP401UT06, NF3LLFSP402UT06, NF3LLFSP401UW01 and NF3LLFSP402UW01
	803282	Overlay	Models JF3LGFSP411EW01 and JF3LGFSP411EW06
	803281	Overlay	Models JF3LMFSG411EN01 and JF3LMFSG411EN06
2	501524	Screw	
3	801738B	Left Control Cabinet Side	Models BF3LLFSG401UN01, BF3LLFSG402UN01, BF3LLFSP401UN01, BF3LLFSP402UN01, JF3LMFSG411EN01, JF3LMFSG411EN06, NF3LLFSG401UN01, NF3LLFSG402UN01, NF3LLFSP401NN22, NF3LLFSP402NN22, NF3LLFSP401UN01 and NF3LLFSP402UN01
	801738W	Left Control Cabinet Side	All other models
4	801777	Control Cabinet Bottom	
5	803527P	Transformer	
6	503661	Screw	
7	503688	Screw	
8	210100	Resistor	
9	36985	Hose Clip	
10	801371	Control Shield	
11	F330230	Flange Relay	Model JF3LMFSG411EN01 through Serial Nos. beginning 1003
12	51782	Screw	Model JF3LMFSG411EN01 through Serial Nos. beginning 1003
13	801120P	Contact Wire Harness Assembly	Models through Serial Nos. beginning 1210
	804229	Contact Wire Harness Assembly	Models starting Serial Nos. beginning 1210

# Electrical Access Panel, Filters and Terminal Block

Models BF3LLFSG401UN01, BF3LLFSG401UW01, BF3LLFSG402UN01, BF3LLFSG402UW01, BF3LLFSP401UN01, BF3LLFSP401UW01, BF3LLFSP402UN01, BF3LLFSP402UW01, BF3LXFSG401UN01, BF3LXFSG401UW01, BF3LXFSG402UN01, BF3LXFSP401UN01, BF3LXFSP401UW01, BF3LXFSP402UN01, BF3LXFSP402UW01, JF3LEFSP411EW01, JF3LGFSP411EW01, JF3LGFSP411EW06, JF3LMFSG411EN01, JF3LMFSG411EN06, JFNLEFSG301EW01, JFNLEFSP301EW01, NF3LLFSG401UN01, NF3LLFSG401UT01, NF3LLFSG401UT06, NF3LLFSG402UN01, NF3LLFSG402UT01, NF3LLFSG402UT06, NF3LLFSP401NN22, NF3LLFSP401NW22, NF3LLFSP401UN01, NF3LLFSP401UT01, NF3LLFSP401UT06, NF3LLFSP401UW01, NF3LLFSP402NN22, NF3LLFSP402NW22, NF3LLFSP402UN01, NF3LLFSP402UT01, NF3LLFSP402UT06, NF3LLFSP402UW01, NF3LXFSG401UN01, NF3LXFSG401UW01, NF3LXFSG402UN01, NF3LXFSG402UW01, NF3LXFSP401UN01, NF3LXFSP401UW01, NF3LXFSP402NW22, NF3LXFSP402UN01, NF3LXFSP402UW01, NF3LXFSP402UW06, NF3LYFSG401UW01 and NF3LYFSG402UW01



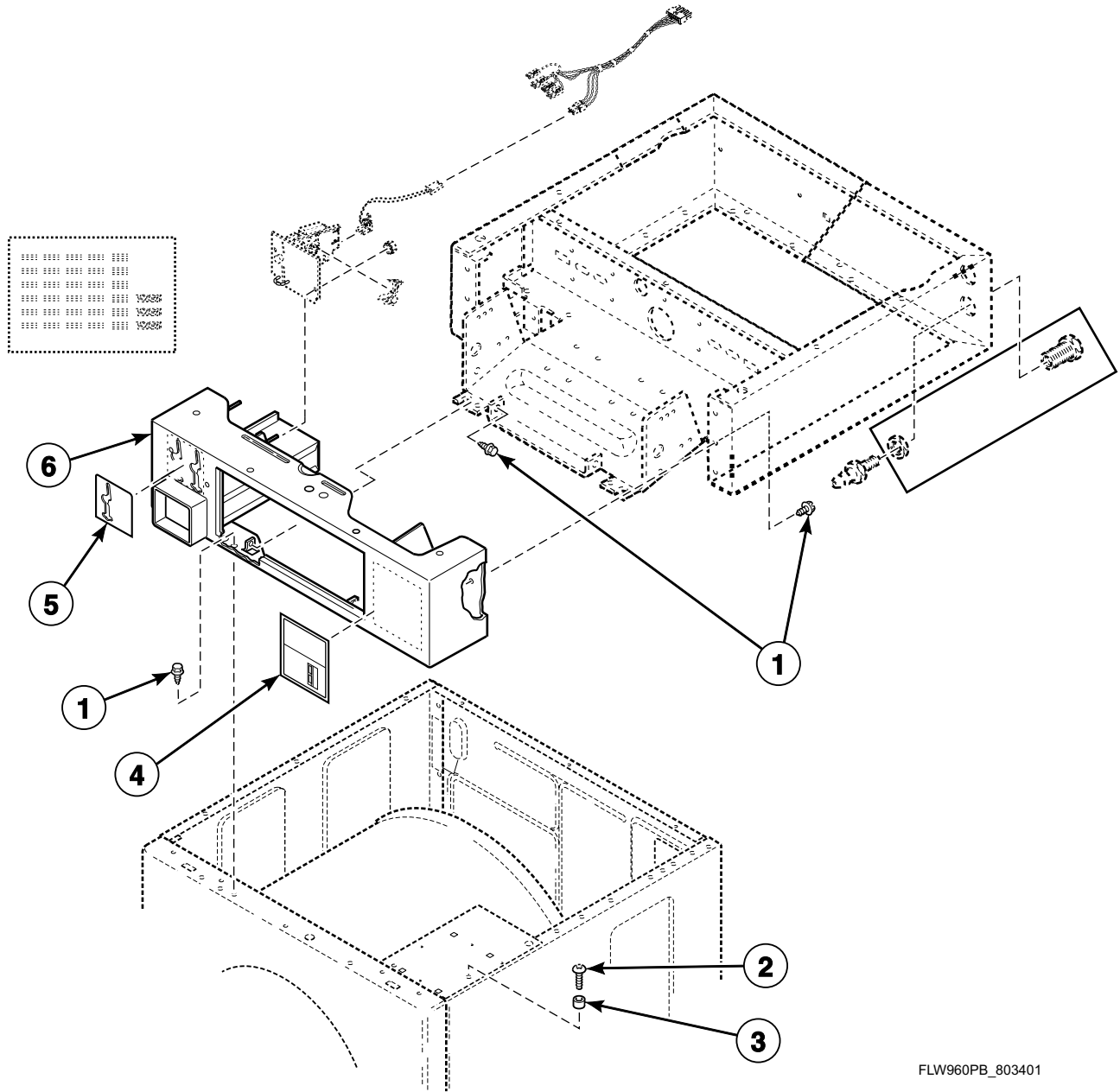
SWD1250P\_803401

# Electrical Access Panel, Filters and Terminal Block

REF	PART NO.	DESCRIPTION	COMMENTS
1	503661	Screw	
2	801255P	Filter	All models except JFNLEFSG301EW01 and JFNLEFSP301EW01
3	503688	Screw	
4	M402542	Snap Bushing	
5	201058	Line Filter	
6	29787	Nut	
7	801756	Terminal Block Assembly	Models BF3LLFSG401UN01, BF3LLFSG402UN01, BF3LLFSG401UW01, BF3LLFSG402UW01, BF3LLFSP401UN01, BF3LLFSP402UN01, BF3LLFSP401UW01, BF3LLFSP402UW01, JF3LGFSP411EW01, JF3LGFSP411EW06, JF3LMFSG411EN01, JF3LMFSG411EN06, NF3LLFSG401UN01, NF3LLFSG402UN01, NF3LLFSG401UT01, NF3LLFSG402UT01, NF3LLFSG401UT06, NF3LLFSG402UT06, NF3LLFSP401NN22, NF3LLFSP402NN22, NF3LLFSP401NW22, NF3LLFSP402NW22, NF3LLFSP401UN01, NF3LLFSP402UN01, NF3LLFSP401UT01, NF3LLFSP402UT01, NF3LLFSP401UT06, NF3LLFSP402UT06, NF3LLFSP401UW01 and NF3LLFSP402UW01
	801250	Terminal Block Assembly	All other models
8	801421	Wire Harness Assembly	1 Phase filter; Models JFNLEFSG301EW01 and JFNLEFSP301EW01
9	801311	Network Varistor Assembly	
10	505876	Terminal Block Assembly	
11	801792P	Fitting	
12	801058	Rear Control Cabinet	Models BF3LLFSG401UN01, BF3LLFSG402UN01, BF3LLFSG401UW01, BF3LLFSG402UW01, BF3LLFSP401UN01, BF3LLFSP402UN01, BF3LLFSP401UW01, BF3LLFSP402UW01, JF3LGFSP411EW01, JF3LGFSP411EW06, JF3LMFSG411EN01, JF3LMFSG411EN06, NF3LLFSG401UN01, NF3LLFSG402UN01, NF3LLFSG401UT01, NF3LLFSG402UT01, NF3LLFSG401UT06, NF3LLFSG402UT06, NF3LLFSP401NN22, NF3LLFSP402NN22, NF3LLFSP401NW22, NF3LLFSP402NW22, NF3LLFSP401UN01, NF3LLFSP402UN01, NF3LLFSP401UT01, NF3LLFSP402UT01, NF3LLFSP401UT06, NF3LLFSP402UT06, NF3LLFSP401UW01 and NF3LLFSP402UW01
	801134	Electric Access Panel	All other models
13	70240301	Screw	Models BF3LLFSG401UN01, BF3LLFSG402UN01, BF3LLFSG401UW01, BF3LLFSG402UW01, BF3LLFSP401UN01, BF3LLFSP402UN01, BF3LLFSP401UW01, BF3LLFSP402UW01, JF3LGFSP411EW01, JF3LGFSP411EW06, JF3LMFSG411EN01, JF3LMFSG411EN06, NF3LLFSG401UN01, NF3LLFSG402UN01, NF3LLFSG401UT01, NF3LLFSG402UT01, NF3LLFSG401UT06, NF3LLFSG402UT06, NF3LLFSP401NN22, NF3LLFSP402NN22, NF3LLFSP401NW22, NF3LLFSP402NW22, NF3LLFSP401UN01, NF3LLFSP402UN01, NF3LLFSP401UT01, NF3LLFSP402UT01, NF3LLFSP401UT06, NF3LLFSP402UT06, NF3LLFSP401UW01 and NF3LLFSP402UW01
	503661	Screw	All other models
14	803314P	Wire Harness Assembly	1 Phase power; Models JFNLEFSG301EW01 and JFNLEFSP301EW01
	801261	Wire Harness Assembly	3 Phase power; All other models

# Coin Cabinet Front

Models BF3LXFSG401UN01, BF3LXFSG401UW01, BF3LXFSG402UN01, BF3LXFSP401UN01, BF3LXFSP401UW01, BF3LXFSP402UN01, BF3LXFSP402UW01, HFNLEFSP111CW01, HFNLEFSP111CWNA, HFNLXFSP111CN01, HFNLXFSP111CW01, HFNNEFSP112CW01, HFNNXFSP112CN01, HFNNXFSP111CW01, HFNNXFSP112CW01, JF3LEFSP411EW01, JFNLEFSG301EW01, JFNLEFSP301EW01, NF3LXFSG401UN01, NF3LXFSG401UW01, NF3LXFSG402UN01, NF3LXFSG402UW01, NF3LXFSP401UN01, NF3LXFSP401UW01, NF3LXFSP402NW22, NF3LXFSP402UN01, NF3LXFSP402UW01, NF3LXFSP402UW06, SFNLCFJP111TW01, SFNLCFSG111TN01, SFNLCFSG111TQ01, SFNLCFSG111TW01, SFNLCFSG111TWNA, SFNLCFSP111TN01, SFNLCFSP111TQ01, SFNLCFSP111TW01, SFNLCFSP111TWNA, SFNLCRSP111TW01, SFNLCRSP111TWAF, SFNLXFSP111TN01, SFNLXFSP111TW01, SFNLXFSP301AN01, SFNLXFSP301AW01, SFNLXFSP302AW01, SFNLXFSP302AN01, SFNNCFJP112TW01, SFNNCFSG111TN01, SFNNCFSG112TN01, SFNNCFSG112TQ01, SFNNCFSG112TW01, SFNNCFSP111TN01, SFNNCFSP111TW01, SFNNCFSP112TN01, SFNNCFSP112TQ01, SFNNCFSP112TW01, SFNNXFSG082JW01, SFNNXFSG112TW01, SFNNXFSP112TN01, SFNNXFSP112TW01, SFNWCFSG111TN01, SFNWCFSG112TN01, SFNWCFSG112TN11, SFNWCFSF111TN01, SFNWCFSF112TN01 and SFNWCFSF112TN11



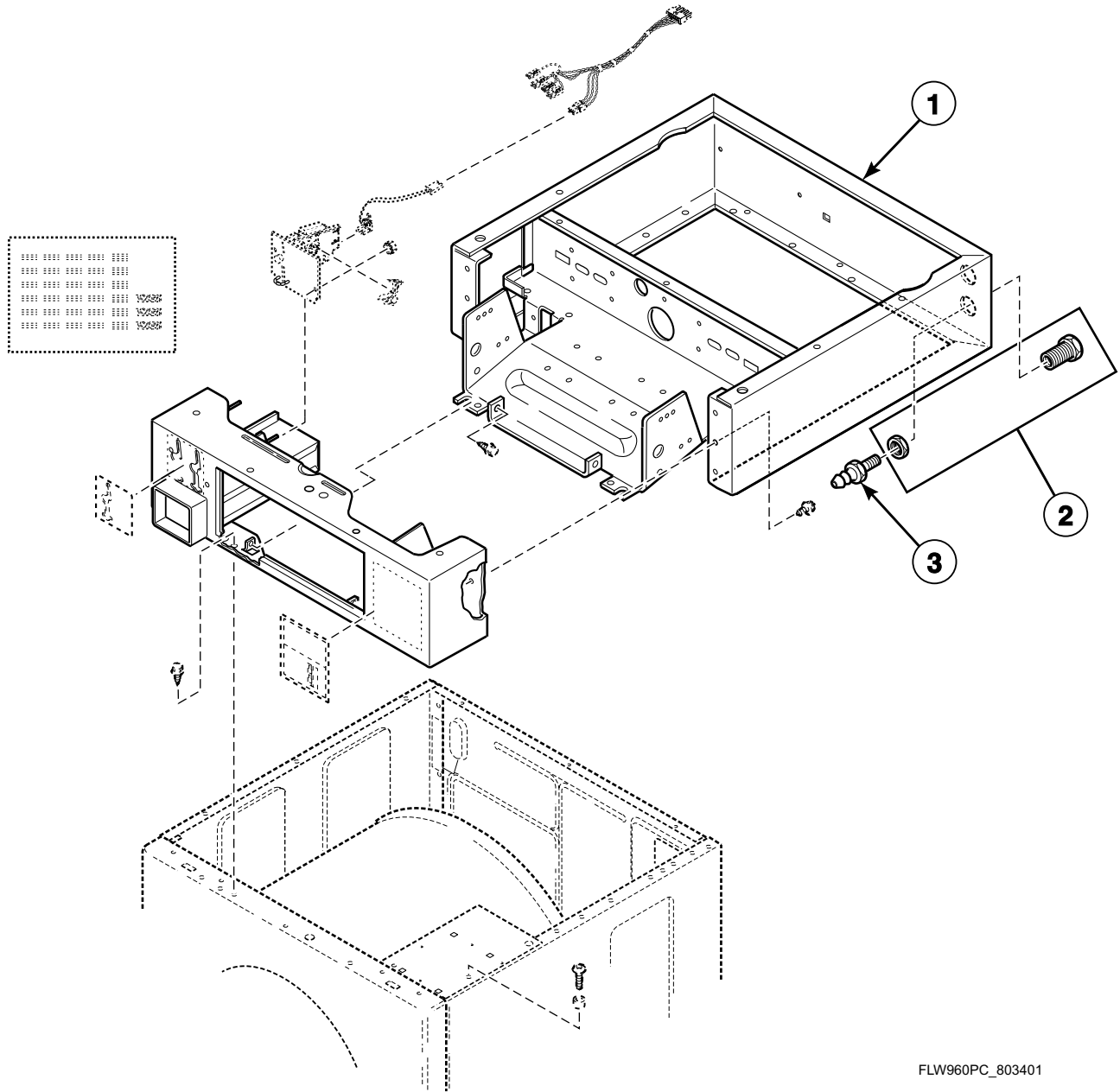
FLW960PB\_803401

# Coin Cabinet Front

REF	PART NO.	DESCRIPTION	COMMENTS
1	503688	Screw	
2	512921	Screw	Use with stainless steel side panels
	39733	Screw	Use with painted side panels
3	56079	Panel Locator	
4	801217	Operating Instruction Label	Models BF3LXFSG401UN01, BF3LXFSG401UW01, BF3LXFSG402UN01, BF3LXFSP401UN01, BF3LXFSP401UW01, BF3LXFSP402UN01, BF3LXFSP402UW01, NF3LXFSG401UN01, NF3LXFSG401UW01, NF3LXFSG402UN01, NF3LXFSG402UW01, NF3LXFSP401UN01, NF3LXFSP401UW01, NF3LXFSP402NW22, NF3LXFSP402UN01, NF3LXFSP402UW01 and NF3LXFSP402UW06
	803322	Nameplate Overlay	Models JF3LEFSP411EW01, JFNLEFSG301EW01 and JFNLEFSP301EW01
	803594	Operating Instruction Label	French/English; Models HFNLEFSP111CW01, HFNLEFSP111CWNA, HFNLXFSP111CN01, HFNLXFSP111CW01, HFNNEFSP112CW01, HFNNXFSP112CN01, HFNNXFSP111CW01 and HFNNXFSP112CW01
	685942	Instruction Label	All other models
5	38717	Single Overlay	Models SFNLCFJP111TW01, SFNLCFSG111TN01, SFNLCFSG111TQ01, SFNLCFSG111TW01, SFNLCFSG111TWNA, SFNLCFSP111TN01, SFNLCFSP111TQ01, SFNLCFSP111TW01, SFNLCFSP111TWNA, SFNNCFJP112TW01, SFNNCFSG111TN01, SFNNCFSG112TN01, SFNNCFSG112TQ01, SFNNCFSG112TW01, SFNNCFSP111TN01, SFNNCFSP111TW01, SFNNCFSP112TN01, SFNNCFSP112TQ01, SFNNCFSP112TW01, SFNWCFSG111TN01, SFNWCFSG112TN01, SFNWCFSG112TN11, SFNWCFSF111TN01, SFNWCFSF112TN01 and SFNWCFSF112TN11
	803476	Single Drop Overlay	Models JF3LEFSP411EW01, JFNLEFSG301EW01 and JFNLEFSP301EW01
	201091	Overlay	Models HFNLEFSP111CW01, HFNLEFSP111CWNA and HFNNEFSP112CW01
6	511633QP	Security Cabinet Front Assembly	Models SFNLCFSG111TQ01, SFNLCFSP111TQ01, SFNNCFSG112TQ01 and SFNNCFSP112TQ01
	511633B	Security Cabinet Front Assembly	Models BF3LXFSG401UN01, BF3LXFSG402UN01, BF3LXFSP401UN01, BF3LXFSP402UN01, HFNLXFSP111CN01, HFNNXFSP112CN01, JF3LEFSP411EW01, JFNLEFSG301EW01, JFNLEFSP301EW01, NF3LXFSG401UN01, NF3LXFSG402UN01, NF3LXFSP401UN01, NF3LXFSP402UN01, SFNLCFSG111TN01, SFNLCFSP111TN01, SFNLXFSP111TN01, SFNLXFSP301AN01, SFNLXFSP302AN01, SFNNCFSG111TN01, SFNNCFSG112TN01, SFNNCFSP111TN01, SFNNCFSP112TN01, SFNNXFSP112TN01, SFNWCFSG111TN01, SFNWCFSG112TN01, SFNWCFSF111TN01, SFNWCFSF112TN01 and SFNWCFSF112TN11
	511633WP	Security Cabinet Front Assembly	All other models

# Wrapper Assembly

Models BF3LXFSG401UN01, BF3LXFSG401UW01, BF3LXFSG402UN01, BF3LXFSP401UN01, BF3LXFSP401UW01, BF3LXFSP402UN01, BF3LXFSP402UW01, HFNLEFSP111CW01, HFNLEFSP111CWNA, HFNLXFSP111CN01, HFNLXFSP111CW01, HFNNEFSP112CW01, HFNNXFSP112CN01, HFNNXFSP111CW01, HFNNXFSP112CW01, JF3LEFSP411EW01, JFNLEFSG301EW01, JFNLEFSP301EW01, NF3LXFSG401UN01, NF3LXFSG401UW01, NF3LXFSG402UN01, NF3LXFSG402UW01, NF3LXFSP401UN01, NF3LXFSP401UW01, NF3LXFSP402NW22, NF3LXFSP402UN01, NF3LXFSP402UW01, NF3LXFSP402UW06, SFNLCFJP111TW01, SFNLCFSG111TN01, SFNLCFSG111TQ01, SFNLCFSG111TW01, SFNLCFSG111TWNA, SFNLCFSP111TN01, SFNLCFSP111TQ01, SFNLCFSP111TW01, SFNLCFSP111TWNA, SFNLCRSP111TW01, SFNLCRSP111TWAF, SFNLXFSP111TN01, SFNLXFSP111TW01, SFNLXFSP301AN01, SFNLXFSP301AW01, SFNLXFSP302AW01, SFNLXFSP302AN01, SFNNCFJP112TW01, SFNNCFSG111TN01, SFNNCFSG112TN01, SFNNCFSG112TQ01, SFNNCFSG112TW01, SFNNCFSP111TN01, SFNNCFSP111TW01, SFNNCFSP112TN01, SFNNCFSP112TQ01, SFNNCFSP112TW01, SFNNXFSG082JW01, SFNNXFSG112TW01, SFNNXFSP112TN01, SFNNXFSP112TW01, SFNWCFCFSG111TN01, SFNWCFCFSG112TN01, SFNWCFCFSG112TN11, SFNWCFCFSP111TN01, SFNWCFCFSP112TN01 and SFNWCFCFSP112TN11



FLW960PC\_803401

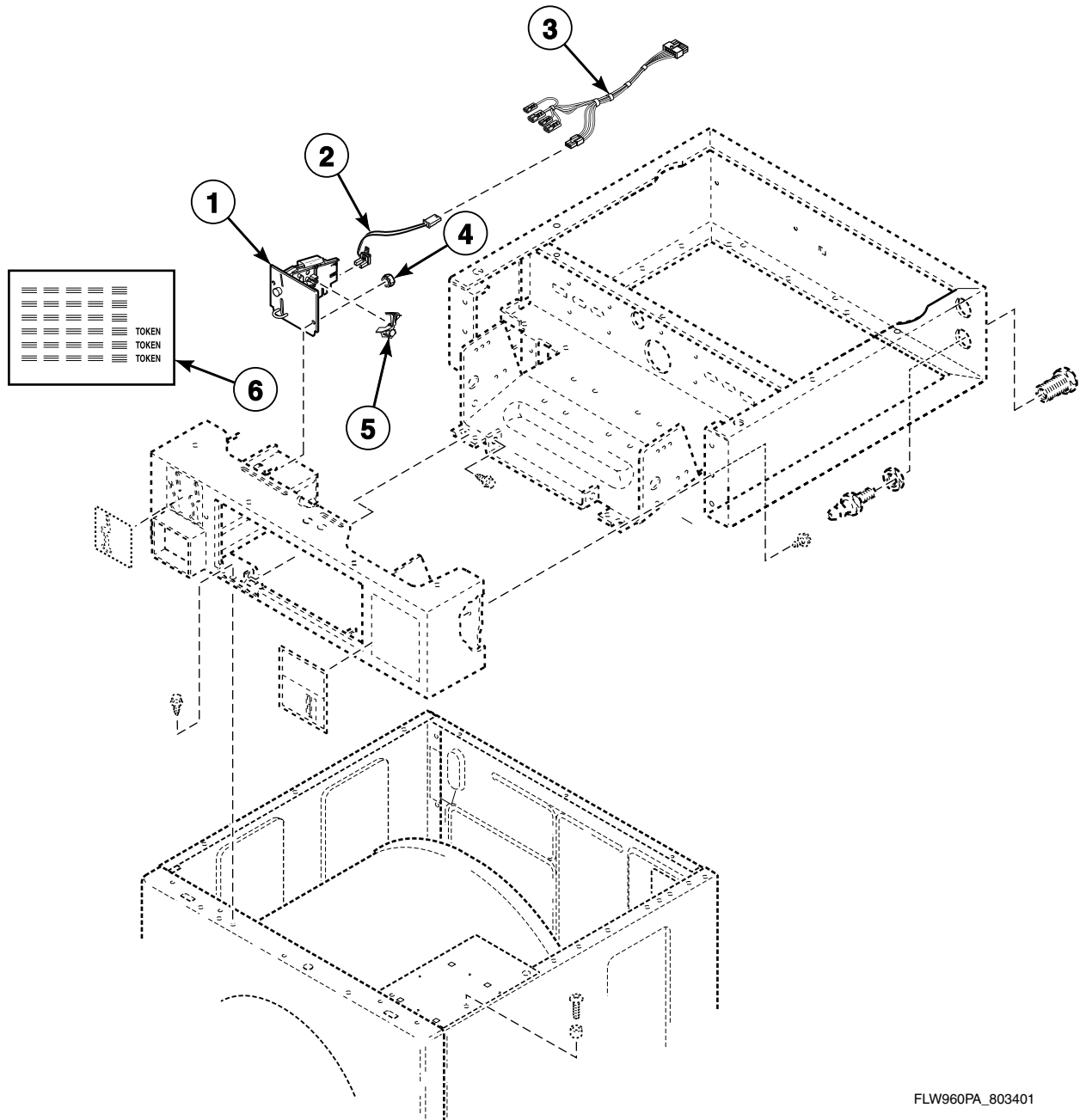


# Wrapper Assembly

REF	PART NO.	DESCRIPTION	COMMENTS
1	801235W	Security Cabinet Wrapper Assembly	Models BF3LXFSG401UW01, BF3LXFSP401UW01, BF3LXFSP402UW01, JF3LEFSP411EW01, JFNLEFSG301EW01, JFNLEFSP301EW01, NF3LXFSG401UW01, NF3LXFSG402UW01, NF3LXFSP401UW01, NF3LXFSP402NW22, NF3LXFSP402UW01 and NF3LXFSP402UW06
	801235B	Security Cabinet Wrapper Assembly	Models BF3LXFSG401UN01, BF3LXFSG402UN01, BF3LXFSP401UN01, BF3LXFSP402UN01, NF3LXFSG401UN01, NF3LXFSG402UN01, NF3LXFSP401UN01 and NF3LXFSP402UN01
	801780W	Security Cabinet Wrapper Assembly	Models SFNLCFJP111TW01 and SFNNCFJP112TW01
	505753QP	Wrapper and Channel Assembly	Models SFNLCFSG111TQ01, SFNLCFSP111TQ01, SFNNCFSG112TQ01 and SFNNCFSP112TQ01
	505753BP	Wrapper and Channel Assembly	Models HFNLXFSP111CN01, HFNNXFSP112CN01, SFNLCFSG111TN01, SFNLCFSP111TN01, SFNLXFSP111TN01, SFNLXFSP301AN01, SFNLXFSP302AN01, SFNNCFSG111TN01, SFNNCFSG112TN01, SFNNCFSP111TN01, SFNNCFSP112TN01, SFNNXFSP112TN01, SFNWCFSG111TN01, SFNWCFSG112TN01, SFNWCFSG112TN11, SFNWCFS111TN01, SFNWCFS112TN01 and SFNWCFS112TN11
	505753WP	Wrapper and Channel Assembly	All other models
2	801788	Union	Models SFNLCFJP111TW01 and SFNNCFJP112TW01
3	801789	Connector	Models SFNLCFJP111TW01 and SFNNCFJP112TW01

# Non-Electronic Coin Drop

Models BF3LXFSG401UN01, BF3LXFSG401UW01, BF3LXFSG402UN01, BF3LXFSP401UN01, BF3LXFSP401UW01, BF3LXFSP402UN01, BF3LXFSP402UW01, HFNLEFSP111CW01, HFNLEFSP111CWNA, HFNLXFSP111CN01, HFNLXFSP111CW01, HFNNERSP112CW01, HFNNXFSP112CN01, HFNNXFSP111CW01, HFNNXFSP112CW01, JF3LEFSP411EW01, JFNLEFSG301EW01, JFNLEFSP301EW01, NF3LXFSG401UN01, NF3LXFSG401UW01, NF3LXFSG402UN01, NF3LXFSG402UW01, NF3LXFSP401UN01, NF3LXFSP401UW01, NF3LXFSP402NW22, NF3LXFSP402UN01, NF3LXFSP402UW01, NF3LXFSP402UW06, SFNLCFJP111TW01, SFNLCFSG111TN01, SFNLCFSG111TQ01, SFNLCFSG111TW01, SFNLCFSG111TWNA, SFNLCFSP111TN01, SFNLCFSP111TQ01, SFNLCFSP111TW01, SFNLCFSP111TWNA, SFNLXFSG111TW01, SFNLXFSP111TN01, SFNLXFSP111TW01, SFNLXFSP301AN01, SFNLXFSP301AW01, SFNLXFSP302AW01, SFNLXFSP302AN01, SFNNCFJP112TW01, SFNNCFSG111TN01, SFNNCFSG112TN01, SFNNCFSG112TQ01, SFNNCFSG112TW01, SFNNCFSP111TN01, SFNNCFSP111TW01, SFNNCFSP112TN01, SFNNCFSP112TQ01, SFNNCFSP112TW01, SFNNXFSG082JW01, SFNNXFSG112TW01, SFNNXFSP112TN01, SFNNXFSP112TW01, SFNNXFSP112TW01, SFNNXFSG111TN01, SFNNXFSG112TN01, SFNNXFSG112TN11, SFNWCFSG111TN01, SFNWCFSG112TN01 and SFNWCFSG112TN11



FLW960PA\_803401

## Non-Electronic Coin Drop

REF	PART NO.	DESCRIPTION	COMMENTS
1	70441601P	Coin Drop	U.S.A.; \$.25
	70441602	Coin Drop Assembly	Canada; .25 and 1.00
	38464P	Coin Drop Assembly	Canada; .25
	70482401	Coin Drop Assembly	New Zealand; 1.00 and 2.00
	38467	Coin Drop Assembly	Australia; .20 and 1.00
	38472	Coin Drop Assembly	England; 20 pence and 1 pound
	38519	Coin Drop Assembly	Japan; 100 yen and 500 yen
	38521	Coin Drop Assembly	Korea; 100 won and 500 won
	CK114	Coin Drop Assembly	Singapore; 1.00
	38462P	Coin Drop Assembly	Token; STD-118-1
	38463	Coin Drop Assembly	Token; STD-118-5
	38963P	Coin Drop	Token; STD-118-16
2	200674P	Opto Coupler	
3	802904P	Harness Assembly	Models SFNLCFJP111TW01, SFNLCFSG111TN01, SFNLCFSG111TQ01, SFNLCFSG111TW01, SFNLCFSG111TWNA, SFNLCFSP111TN01, SFNLCFSP111TQ01, SFNLCFSP111TW01, SFNLCFSP111TWNA, SFNNCFJP112TW01, SFNNCFSG111TN01, SFNNCFSG112TN01, SFNNCFSG112TQ01, SFNNCFSG112TW01, SFNNCFSP111TN01, SFNNCFSP112TN01, SFNNCFSP111TN01, SFNNCFSP112TN01, SFNNCFSP112TQ01, SFNNCFSP111TW01, SFNNCFSP112TW01, SFNWCFSG111TN01, SFNWCFSG112TN01, SFNWCFS111TN01 and SFNWCFS112TN01
	802905	Harness Assembly	All other models
4	29786	Nut	
5	201595P	Wire Guard	Anti-stringing security device
6	38725	Coin Identification Paper	

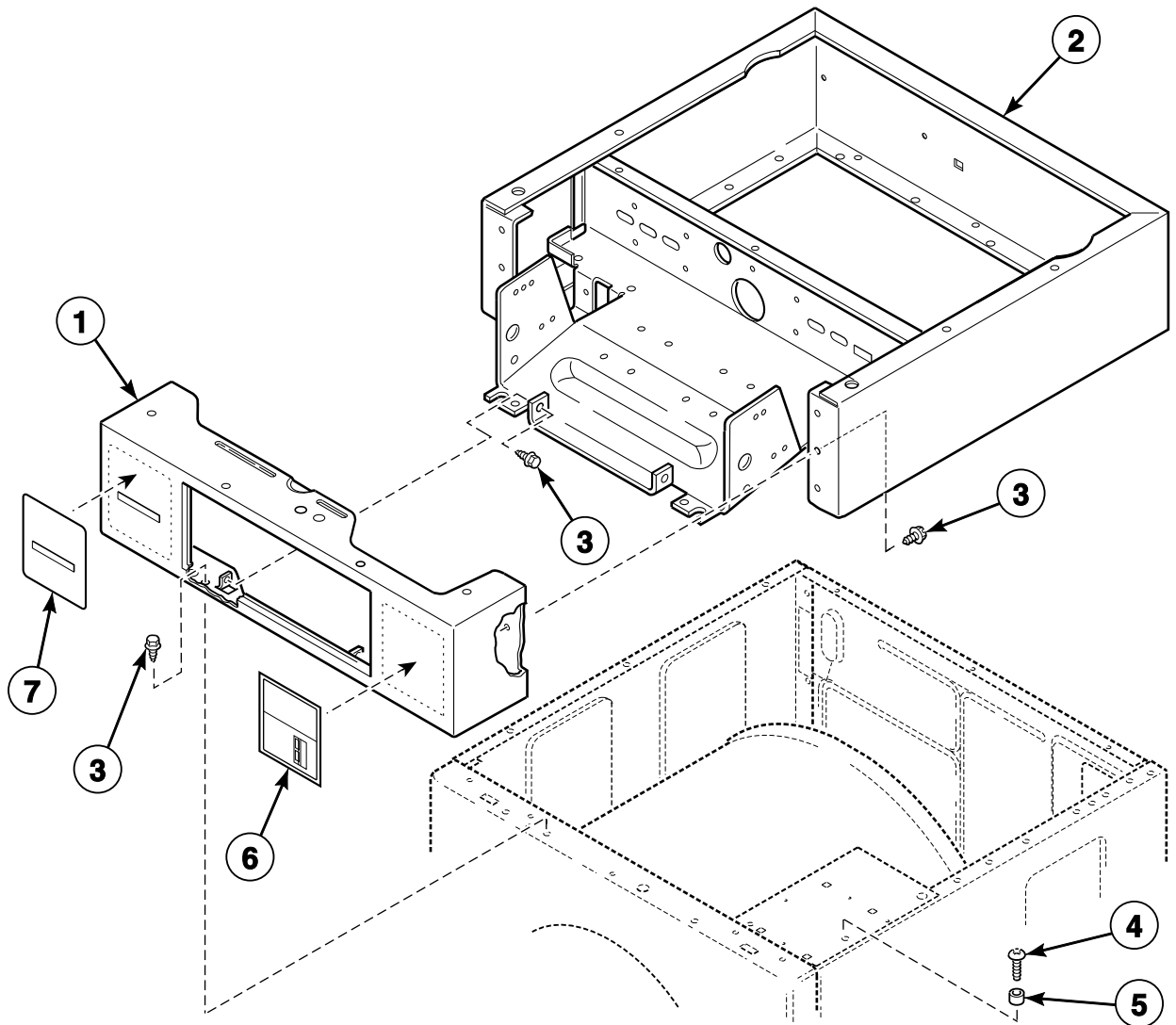


# Electronic Coin Drop

REF	PART NO.	DESCRIPTION	COMMENTS
1	CK099	Electronic Coin Drop Kit	Includes items 2-4 and 7-9; Australia, New Zealand, Hong Kong, South Korea and Malaysia coins
	CK100	Electronic Coin Drop Kit	Includes items 2-4 and 7-9; Euro and Great Britain coins
	CK101	Electronic Coin Drop Kit	Includes items 2-4 and 7-9; Euro, Denmark and Norway coins
	CK103	Electronic Coin Drop Kit	Includes items 2-4 and 7-9; Euro, Lithuania and Latvia coins
	CK106	Electronic Coin Drop Kit	Includes items 2-4 and 7-9; Malaysia, China, Russia and Singapore coins
	CK108	Electronic Coin Drop Kit	Includes items 2-4 and 7-9; South African 1, 2 and 5 rand coins
	CK109	Electronic Coin Drop Kit	Includes items 2-4 and 7-9; Euro coins
	CK110	Electronic Coin Drop Kit	Includes items 2-4 and 7-9; Mexico, Ecuador and United States coins
	CK113	Electronic Coin Drop Kit	Includes items 2-4 and 7-9; Japan and Taiwan coins
	CK115	Electronic Coin Drop Kit	Includes items 2-4 and 7-9; United States and Canada coins
	CK120	Electronic Coin Drop Kit	Includes items 2-4 and 7-9; Chile coins
	CK121	Electronic Coin Drop Kit	Includes items 2-4 and 7-9; Singapore coins
2	70294105P	Electronic Coin Drop Assembly	Australia, New Zealand, Hong Kong, South Korea and Malaysia coins
	70294103P	Electronic Coin Drop Assembly	Euro and Great Britain coins
	70294104	Electronic Coin Drop Assembly	Euro, Denmark and Norway coins
	70294107	Electronic Coin Drop Assembly	Euro, Lithuania and Latvia coins
	70294109	Electronic Coin Drop Assembly	Malaysia, China, Russia and Singapore coins
	70294110	Electronic Coin Drop Assembly	South African 1, 2 and 5 rand coins
	70294111	Electronic Coin Drop Assembly	Euro coins
	70294106	Electronic Coin Drop Assembly	Mexico, Ecuador and United States coins
	70294112	Electronic Coin Drop Assembly	Euro, Great Britain and token coins
	70294120	Electronic Coin Drop Assembly	Chile coins
	70294121	Electronic Coin Drop Assembly	Singapore coins
3	201216	Nut	
	29786	Nut	Use on front control models with no guide rods
4	201104	Coin Drop Wire Harness	
5	802905	Harness Assembly	Electronic coin drop requires this harness. If unit is not factory-equipped with this harness, it must be ordered separately.
6	201375P	Transformer	Electronic coin drop requires this transformer. If unit is not factory-equipped with this transformer, it must be ordered separately.
7	201572	Clip	
8	201091	Overlay	
9	38725	Coin Identification Paper	

# Card Cabinet Front and Wrapper Assembly

Models HFNLYFSP111CW01, HFNLYFSP111CWNA, HFNNYFSP112CW01, NF3LYFSG401UW01, NF3LYFSG402UW01, RFNLYFSP111CW01, SFNLYFJP111TW01, SFNLYFSG111TN01, SFNLYFSG111TW01, SFNLYFSG111TWNA, SFNLYFSP111TN01, SFNLYFSP111TW01, SFNLYFSP111TWNA, SFNNYFJP112TW01, SFNNYFSG112TN01, SFNNYFSG112TW01, SFNNYFSP112TN01, SFNNYFSP112TW01, SFNWFYFSG111TN01, SFNWFYFSG112TN01, SFNWFYFSG112TN11, SFNWFYFSP111TN01, SFNWFYFSP112TN01 and SFNWFYFSP112TN11



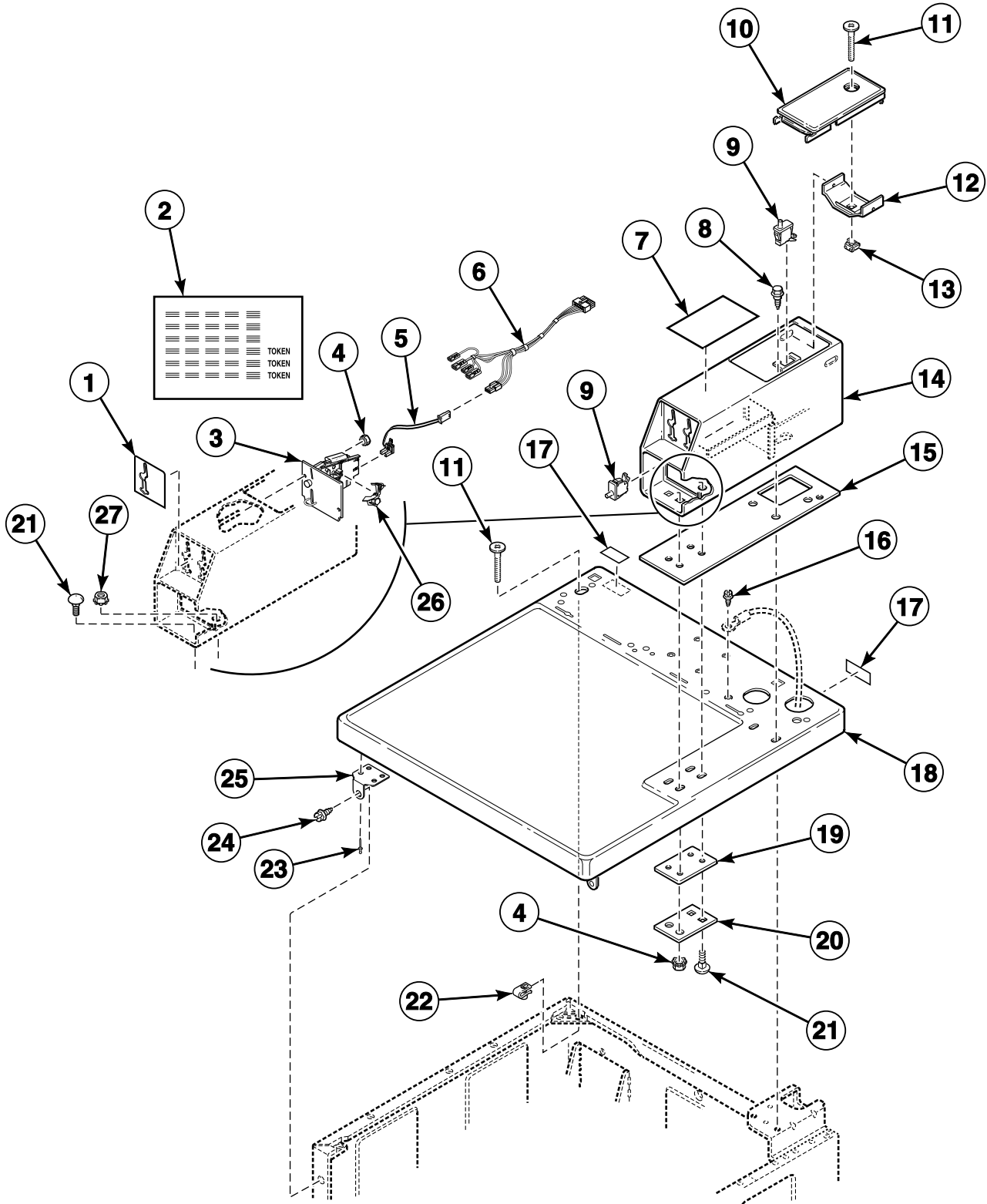
FLW1014P\_803401

## Card Cabinet Front and Wrapper Assembly

REF	PART NO.	DESCRIPTION	COMMENTS
1	511209BP	Security Cabinet Front Assembly	Models SFNLYFSG111TN01, SFNLYFSP111TN01, SFNNYFSG112TN01, SFNNYFSP112TN01, SFNWFYFSG111TN01, SFNWFYFSG112TN01, SFNWFYFSG112TN11, SFNWFYFSP111TN01, SFNWFYFSP112TN01 and SFNWFYFSP112TN11
	511209WP	Security Cabinet Front Assembly	All other models
2	801235W	Security Cabinet Wrapper Assembly	Models NF3LYFSG401UW01 and NF3LYFSG402UW01
	505753BP	Wrapper and Channel Assembly	Models SFNLYFSG111TN01, SFNLYFSP111TN01, SFNNYFSG112TN01, SFNNYFSP112TN01, SFNWFYFSG111TN01, SFNWFYFSG112TN01, SFNWFYFSG112TN11, SFNWFYFSP111TN01, SFNWFYFSP112TN01 and SFNWFYFSP112TN11
	505753WP	Wrapper and Channel Assembly	All other models
3	503688	Screw	
4	512921	Screw	Models SFNLYFSG111TN01, SFNLYFSP111TN01, SFNNYFSG112TN01, SFNNYFSP112TN01, SFNWFYFSG111TN01, SFNWFYFSG112TN01, SFNWFYFSG112TN11, SFNWFYFSP111TN01, SFNWFYFSP112TN01 and SFNWFYFSP112TN11
	39733	Screw	All other models
5	56079	Panel Locator	
6	801217	Operating Instruction Label	Models NF3LYFSG401UW01 and NF3LYFSG402UW01
	803594	Operating Instruction Label	French/English; Models HFNLYFSP111CW01, HFNLYFSP111CWNA and HFNNYFSP112CW01
	685942	Instruction Label	All other models
7	511548	Card Insert Overlay	Models HFNLYFSP111CW01, HFNLYFSP111CWNA and HFNNYFSP112CW01
	511544	Card Insert Overlay	Models SFNLYFJP111TW01, SFNLYFSG111TN01, SFNLYFSG111TW01, SFNLYFSG111TWNA, SFNLYFSP111TN01, SFNLYFSP111TW01, SFNLYFSP111TWNA, SFNNYFJP112TW01, SFNNYFSG112TN01, SFNNYFSG112TW01, SFNNYFSP112TN01, SFNNYFSP112TW01, SFNWFYFSG111TN01, SFNWFYFSG112TN01, SFNWFYFSG112TN11, SFNWFYFSP111TN01, SFNWFYFSP112TN01 and SFNWFYFSP112TN11
	513145	Card Insert Overlay	Models NF3LYFSG401UW01, NF3LYFSG402UW01 and RFNLYFSP111CW01

# Non-Electronic Coin Drop, Meter Case and Cabinet Top

Models HFNLERSP111CW01, HFNLERSP111CWNA, HFNLXRSP111CW01, HFNNERSP112CW01, HFNNXRSP111CW01, HFNNXRSP112CW01, SFNLCRSP111TW01, SFNLCRSP111TW02, SFNLCRSP111TWAF, SFNLCRSP111TWNA, SFNLXRSP111TW02, SFNNCRSP111TW01, SFNNCRSP111TW02, SFNNCRSP112TW01, SFNNCRSP112TW02, SFNNXRSP111TW02, SFNNXRSP112TW02 and SFNNXRSP542NW23



FLW980P\_803401

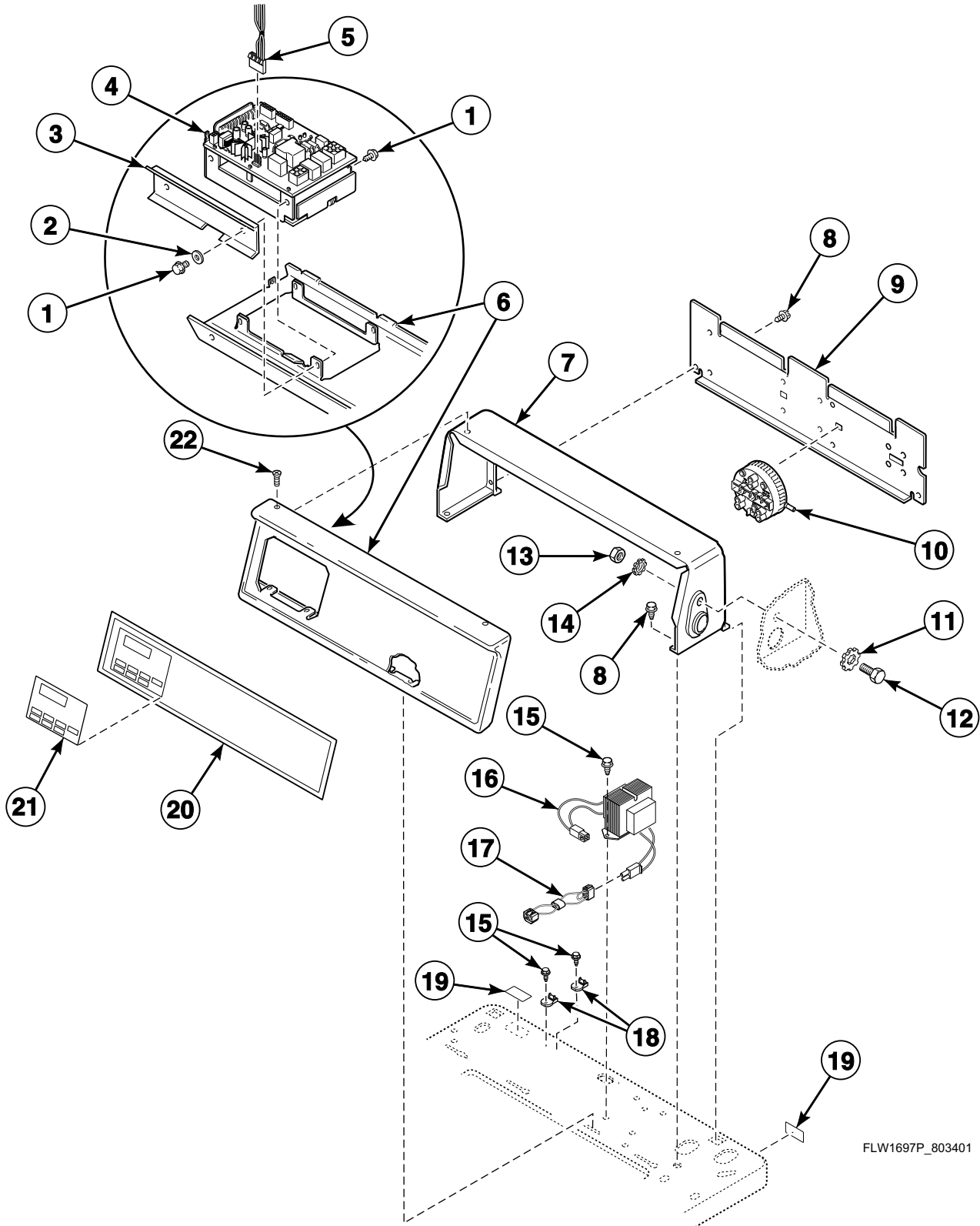


# Non-Electronic Coin Drop, Meter Case and Cabinet Top

REF	PART NO.	DESCRIPTION	COMMENTS
1	202123	Single Overlay	Model SFNLCRSP111TW02 through Serial No. 1010011547
	38717	Single Overlay	Models SFNLCRSP111TW01, SFNLCRSP111TWAF, SFNLCRSP111TWNA, SFNLCRSP111TW02 and SFNLCRSP112TW02; Model SFNLCRSP111TW02 starting Serial No. 1010011548
	201091	Overlay	Models HFNLERSP111CW01, HFNLERSP111CWNA and HFNNERSP112CW01
2	38725	Coin Identification Paper	
3	70441601P	Coin Drop	U.S.A.; \$.25
	70441602	Coin Drop Assembly	Canada; .25 and 1.00
4	29786	Nut	
5	200674P	Opto Coupler	
6	802904P	Harness Assembly	Models SFNLCRSP111TW01, SFNLCRSP111TW02, SFNLCRSP111TWAF, SFNLCRSP111TWNA, SFNLCRSP111TW01, SFNLCRSP111TW02, SFNLCRSP112TW01 and SFNLCRSP112TW02
	802905	Harness Assembly	All other models
7	800137	Rear Control Operating Instruction Label	
	803595	Operating Instruction Label	French/English; Models HFNLERSP111CW01, HFNLERSP111CWNA, HFNLXRSP111CW01, HFNNERSP112CW01, HFNNXRSP111CW01 and HFNNXRSP112CW01
8	36048	Screw	
9	512973	Switch	
10	803043WP	Service Door Assembly	Models SFNLCRSP111TW02 and SFNLXRSP111TW02 through Serial No. 1010011547
	39874WP	Service Door Assembly	All other models
11	503673	Screw	All models except SFNLCRSP111TW02 and SFNLXRSP111TW02 through Serial No. 1010011547
12	30642	Meter Case Locking Bracket	All models except SFNLCRSP111TW02 and SFNLXRSP111TW02 through Serial No. 1010011547
13	30647	Nut	All models except SFNLCRSP111TW02 and SFNLXRSP111TW02 through Serial No. 1010011547
14	803063WP	Meter Case Assembly Kit	Models SFNLCRSP111TW02, SFNLXRSP111TW02, SFNLCRSP111TW02, SFNLCRSP112TW02, SFNLCRSP111TW02 and SFNLCRSP112TW02
	803578P	Coin Box Extension Kit	Use with 803063W Meter Case Assembly to extend shorter 7 inch coin boxes; Models SFNLCRSP111TW02 and SFNLXRSP111TW02 starting Serial No. 1010011548
	802505W	Meter Case Assembly	Models HFNLERSP111CW01, HFNLERSP111CWNA and HFNNERSP112CW01
	38724W	Meter Case Assembly	All other models
15	26354	Meter Case Gasket	
16	20530	Screw	
17	505281	Disconnect Power Warning Label	Models SFNLCRSP111TW01, SFNLCRSP111TW02, SFNLCRSP111TWAF, SFNLCRSP111TWNA, SFNLXRSP111TW02, SFNLCRSP111TW01, SFNLCRSP112TW02, SFNLCRSP111TW02, SFNLCRSP112TW01, SFNLCRSP112TW02, SFNLCRSP111TW02, SFNLCRSP112TW02 and SFNLCRSP542NW23
	500316	Warning Label	All other models
18	511527WP	Top Kit	
19	35526	Meter Case Bracket Gasket	
20	35525	Meter Case Lockdown Bracket	
21	02505	Bolt	
22	27222	Nut	
23	70058501	Pop Rivet	
24	503661	Screw	
25	510146	Bracket	
26	201595P	Wire Guard	Anti-stringing security device
27	802337	Nut	

# Control Panel, Control Hood and Controls (Drawing 1 of 2)

Models HFNLERSP111CW01, HFNLERSP111CWNA, HFNLXRSP111CW01, HFNNERSP112CW01, HFNNXRSP111CW01, HFNNXRSP112CW01, SFNLCRSP111TW01, SFNLCRSP111TW02, SFNLCRSP111TWAF, SFNLCRSP111TWNA, SFNLXRSP111TW02, SFNNCRSP111TW01, SFNNCRSP111TW02, SFNNCRSP112TW01, SFNNCRSP112TW02, SFNNXRSP111TW02, SFNNXRSP112TW02 and SFNNXRSP542NW23



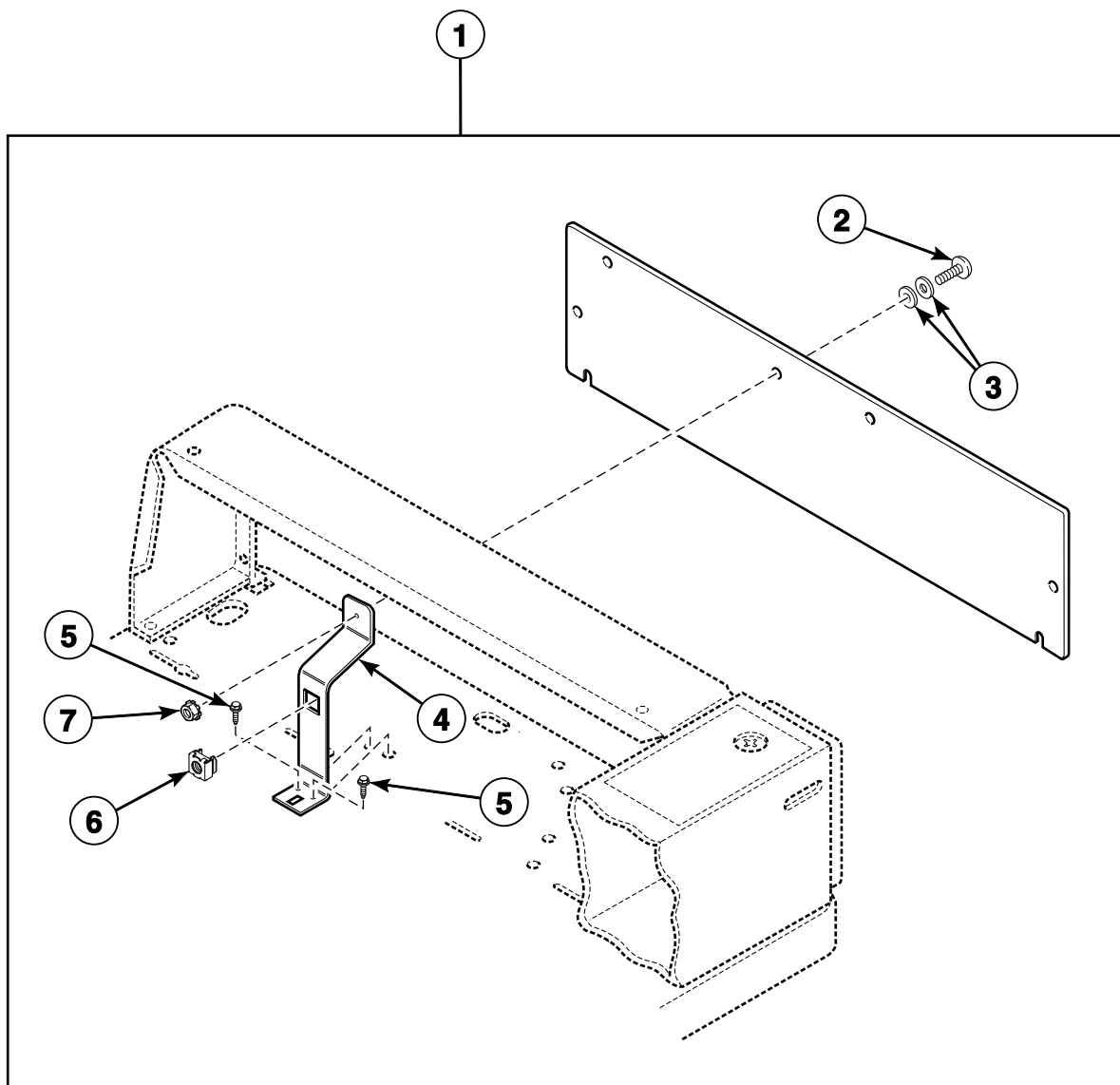
FLW1697P\_803401

## Control Panel, Control Hood and Controls (Drawing 1 of 2)

REF	PART NO.	DESCRIPTION	COMMENTS
	NK201	Network Retrofit Kit	Wired
	NK220	Network Controller Kit	Wired
	NK301	Wireless Network Kit	
	NK320	Ethernet Gateway Kit	Wireless
	NK330	USB Gateway Kit	Wireless
<b>1</b>	501524	Screw	
<b>2</b>	200608	Washer	
<b>3</b>	210053	Control Shield	
<b>4</b>	803619	Control Assembly	
<b>5</b>	511478	Central Pay Harness	
<b>6</b>	800149W	Control Panel and Bracket Assembly	
<b>7</b>	502567W	Control Hood	
<b>8</b>	501086	Screw	
<b>9</b>	505798	Hood Back Plate	
<b>10</b>	802299P	Pressure Switch	
<b>11</b>	M400017	Washer	
<b>12</b>	02916	Screw	
<b>13</b>	52566	Nut	
<b>14</b>	02431	Washer	
<b>15</b>	503661	Screw	
<b>16</b>	210018P	Transformer	Models SFNLCRSP111TW01, SFNLCRSP111TW02, SFNLCRSP111TWAF, SFNLCRSP111TWNA, SFNNCRSP111TW01, SFNNCRSP111TW02, SFNNCRSP112TW01 and SFNNCRSP112TW02
	803527P	Transformer	Model SFNNXRSP542NW23
	201375P	Transformer	Some models may have jumper wire attached to transformer. Discard jumper wire when replacing transformer; All other models
<b>17</b>	M413507	Jumper Configuration Assembly	Model SFNNXRSP542NW23
<b>18</b>	210100	Resistor	Model SFNNXRSP542NW23
<b>19</b>	505281	Disconnect Power Warning Label	Models SFNLCRSP111TW01, SFNLCRSP111TW02, SFNLCRSP111TWAF, SFNLCRSP111TWNA, SFNLXRSP111TW02, SFNNCRSP111TW01, SFNNCRSP111TW02, SFNNCRSP112TW01, SFNNCRSP112TW02, SFNNXRSP111TW02, SFNNXRSP112TW02 and SFNNXRSP542NW23
	500316	Warning Label	All other models
<b>20</b>	802884	Control Overlay	Models SFNLCRSP111TW01, SFNLCRSP111TW02, SFNLCRSP111TWAF, SFNLCRSP111TWNA, SFNLXRSP111TW02, SFNNCRSP111TW01, SFNNCRSP111TW02, SFNNCRSP112TW01, SFNNCRSP112TW02, SFNNXRSP111TW02, SFNNXRSP112TW02 and SFNNXRSP542NW23
	803015	Control Overlay	All other models
<b>21</b>	803596	Control Overlay	French/English; Models HFNLERSP111CW01, HFNLERSP111CWNA, HFNLXRSP111CW01, HFNNERSP112CW01, HFNNXRSP111CW01 and HFNNXRSP112CW01
<b>22</b>	52864	Screw	

# Control Hood Security Kit

Models HFNLERSP111CW01, HFNLERSP111CWNA, HFNLXRSP111CW01, HFNNERSP112CW01, HFNNXRSP111CW01, HFNNXRSP112CW01, SFNLCRSP111TW01, SFNLCRSP111TW02, SFNLCRSP111TWAF, SFNLCRSP111TWNA, SFNLXRSP111TW02, SFNNCRSP111TW01, SFNNCRSP111TW02, SFNNCRSP112TW01, SFNNCRSP112TW02, SFNNXRSP111TW02, SFNNXRSP112TW02 and SFNNXRSP542NW23



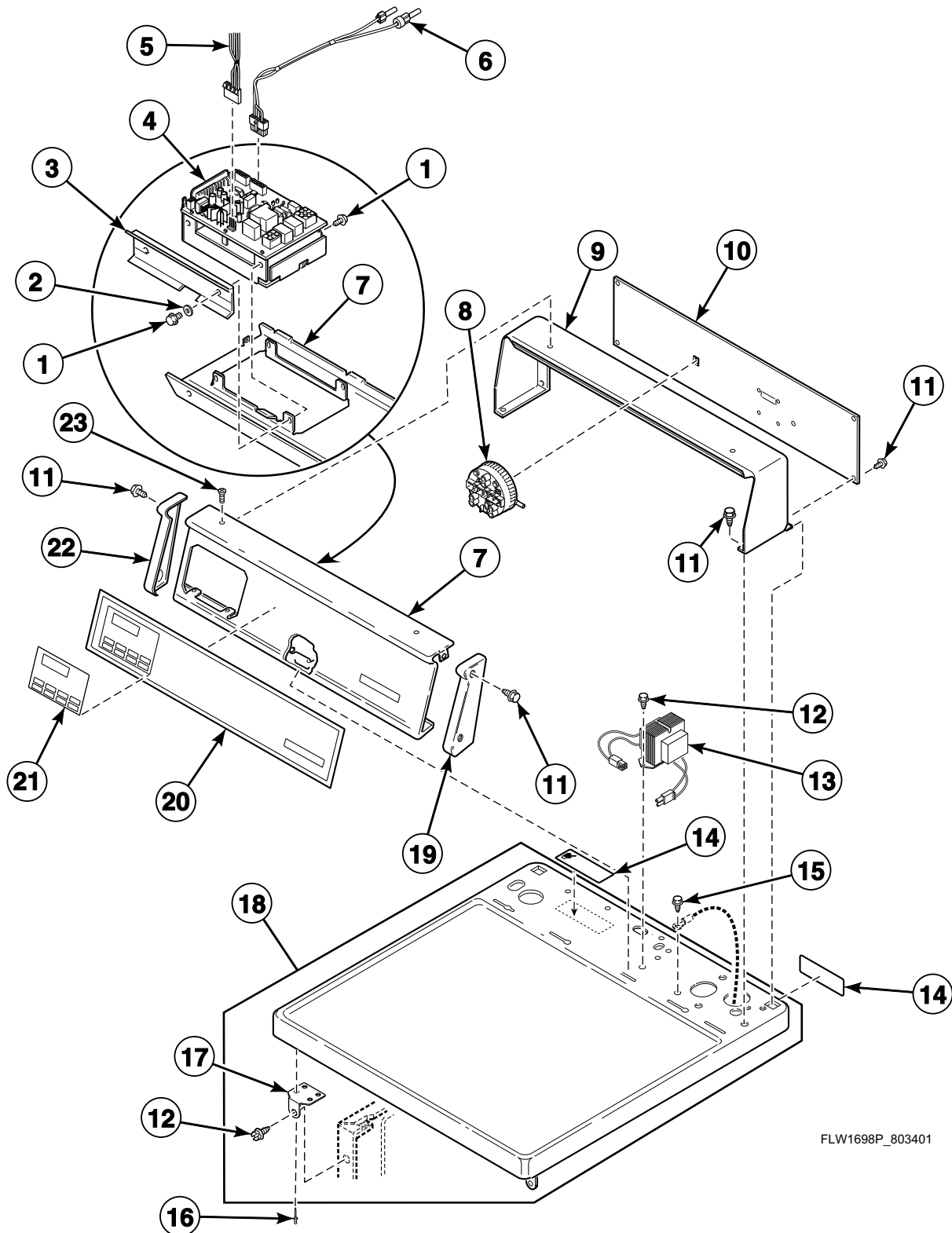
FLW963P\_803401

# Control Hood Security Kit

REF	PART NO.	DESCRIPTION	COMMENTS
1	905P3	Security Kit	Includes items 2-7 and rear panel
2	32184	Bolt	
3	25100	Washer	
4	201918	Bracket	
5	503688	Screw	
6	30647	Nut	
7	23951	Nut	

# Control Panel, Control Hood and Controls (Drawing 2 of 2)

Models HFNLYRSP111CW01, HFNLYRSP111CWNA, HFNNYRSP112CW01, SFNLYRSP111TW01, SFNLYRSP111TWNA, SFNNYRSP111TW01 and SFNNYRSP112TW01

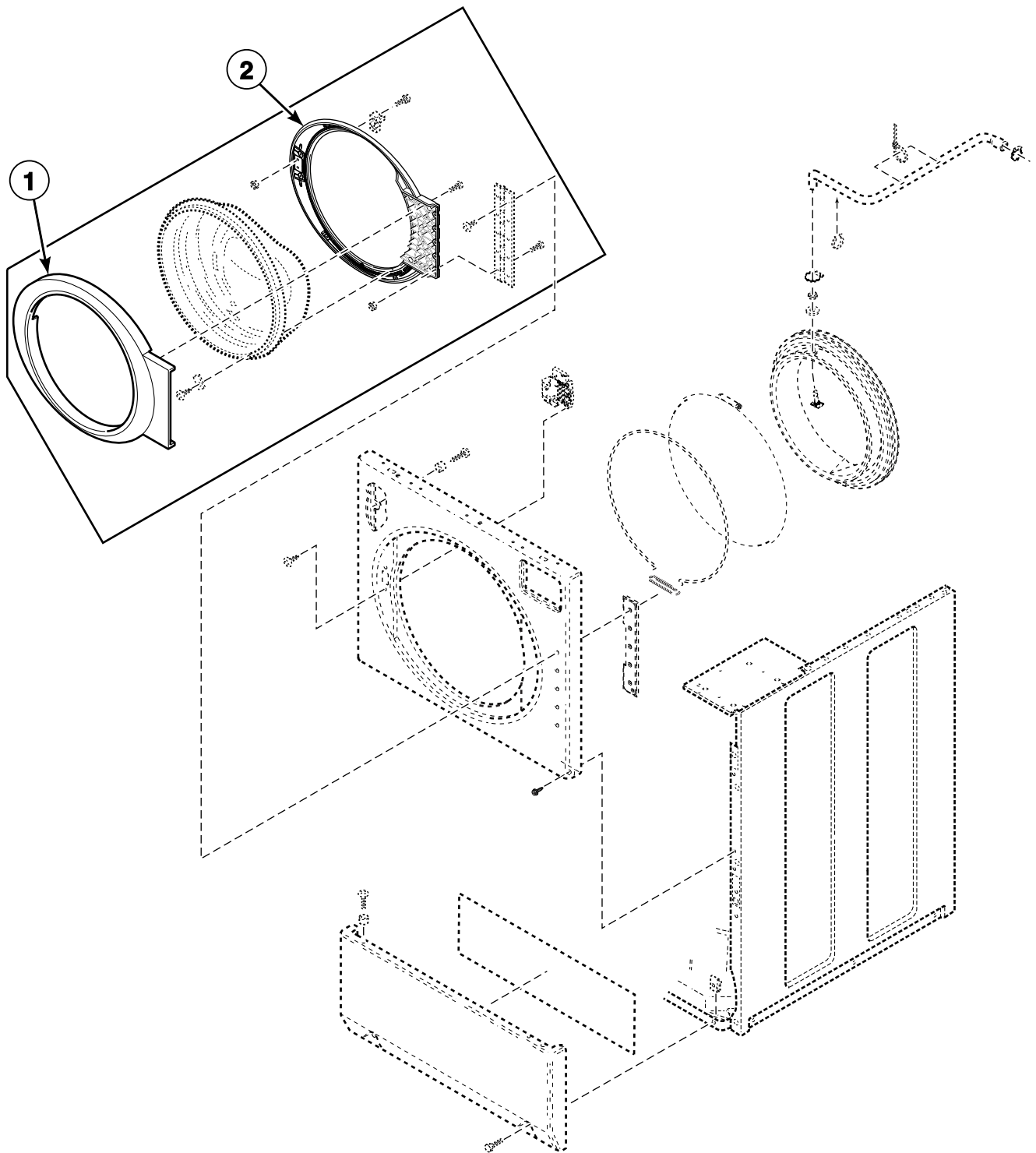


FLW1698P\_803401

## Control Panel, Control Hood and Controls (Drawing 2 of 2)

REF	PART NO.	DESCRIPTION	COMMENTS
	NK201	Network Retrofit Kit	Wired
	NK220	Network Controller Kit	Wired
	NK301	Wireless Network Kit	
	NK320	Ethernet Gateway Kit	Wireless
	NK330	USB Gateway Kit	Wireless
<b>1</b>	501524	Screw	
<b>2</b>	200608	Washer	
<b>3</b>	210053	Control Shield	
<b>4</b>	803619	Control Assembly	
<b>5</b>	511478	Central Pay Harness	
<b>6</b>	800680	Diagnostic Wire Harness Assembly	
<b>7</b>	800710W	Control Panel and Stud Assembly	
<b>8</b>	802299P	Pressure Switch	
<b>9</b>	511253W	Control Hood	
<b>10</b>	801165	Rear Control Hood Panel	
<b>11</b>	501086	Screw	
<b>12</b>	503661	Screw	
<b>13</b>	201375P	Transformer	Some models may have jumper wire attached to transformer. Discard jumper wire when replacing transformer.
<b>14</b>	505281	Disconnect Power Warning Label	Models SFNLYRSP111TW01, SFNLYRSP111TWNA, SFNNYRSP111TW01 and SFNNYRSP112TW01
	500316	Warning Label	All other models
<b>15</b>	20530	Screw	
<b>16</b>	70058501	Pop Rivet	
<b>17</b>	510146	Bracket	
<b>18</b>	511530WP	Top Panel Kit	Includes items 11 and 16
<b>19</b>	210108W	End Cap	Right
<b>20</b>	802998	Control Overlay	Models SFNLYRSP111TW01, SFNLYRSP111TWNA, SFNNYRSP111TW01 and SFNNYRSP112TW01
	803016	Control Overlay	All other models
<b>21</b>	803596	Control Overlay	French/English; Models HFNLYRSP111CW01, HFNLYRSP111CWNA and HFNNYRSP112CW01
<b>22</b>	210109W	End Cap	Left
<b>23</b>	52864	Screw	

# Door Bezel Kits



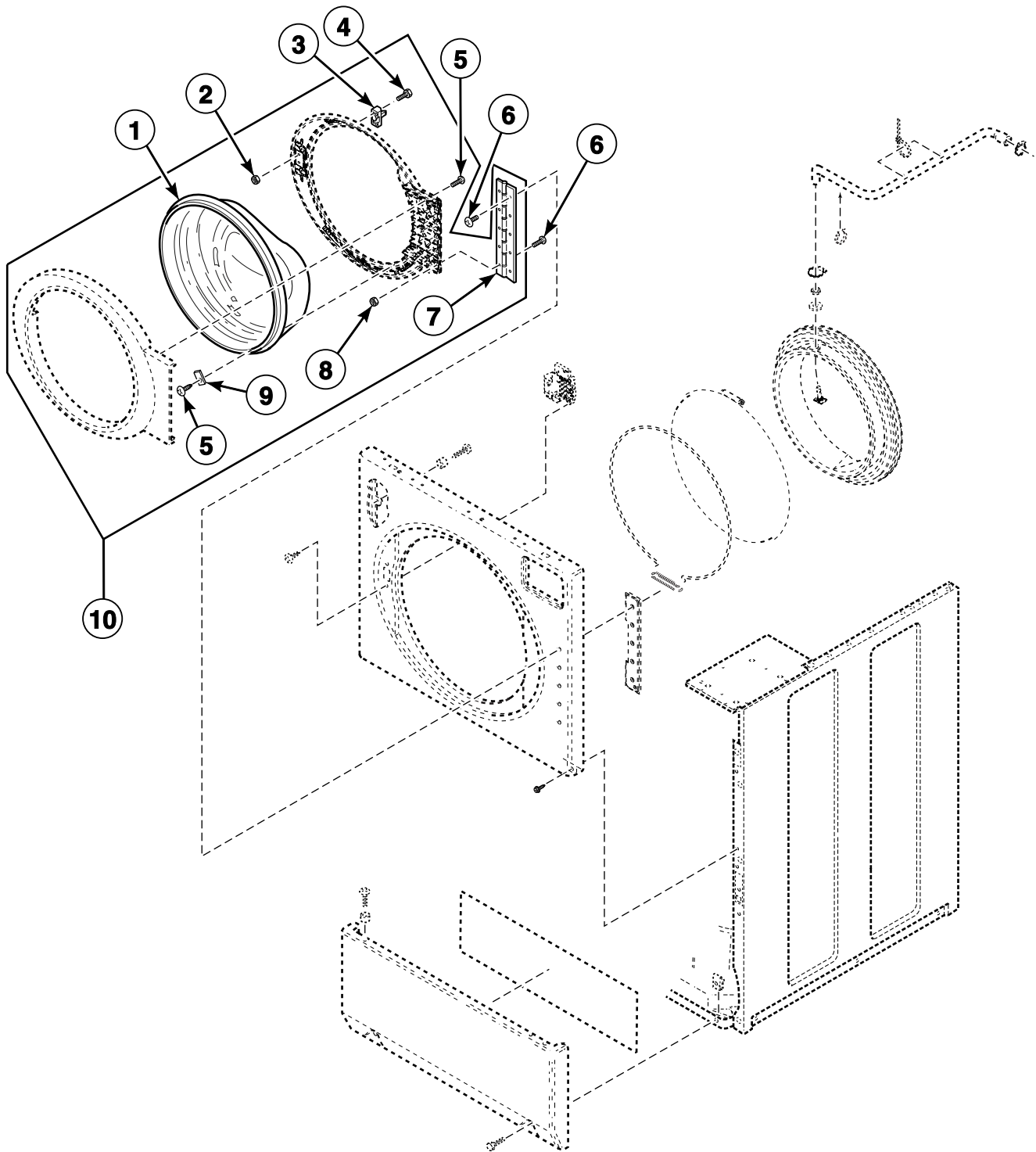
FLW938PC\_803401



# Door Bezel Kits

REF	PART NO.	DESCRIPTION	COMMENTS
1	802314P	Outer Door Bezel Kit	Models BF3LLFSG401UN01, BF3LLFSG401UW01, BF3LLFSG402UN01, BF3LLFSG402UW01, BF3LLFSP401UN01, BF3LLFSP401UW01, BF3LLFSP402UN01, BF3LLFSP402UW01, BF3LXFSG401UN01, BF3LXFSG401UW01, BF3LXFSG402UN01, BF3LXFSP401UN01, BF3LXFSP401UW01, BF3LXFSP402UN01, BF3LXFSP402UW01, HFNLXFSP111CN01, HFNNXFSP112CN01, JF3LMFSG411EN01, JF3LMFSG411EN06, NF3LLFSG401UN01, NF3LLFSG402UN01, NF3LLFSP401NN22, NF3LLFSP401UN01, NF3LLFSP402NN22, NF3LLFSP402UN01, NF3LXFSG401UN01, NF3LXFSG402UN01, NF3LXFSP401UN01, NF3LXFSP402UN01, RFNLYFSP111CW01, SFNLCFSG111TN01, SFNLCFSP111TN01, SFNLXFSP111TN01, SFNLXFSP301AN01, SFNLXFSP302AN01, SFNLYFSG111TN01, SFNLYFSP111TN01, SFNNCFSG111TN01, SFNNCFSG112TN01, SFNNCFSP111TN01, SFNNCFSP112TN01, SFNNXFSP112TN01, SFNNYFSG112TN01, SFNNYFSP112TN01, SFNWCFSG111TN01, SFNWCFSG112TN01, SFNWCFSG112TN11, SFNWCFSF111TN01, SFNWCFSF112TN01, SFNWCFSF112TN11, SFNWFYFSG111TN01, SFNWFYFSG112TN01, SFNWFYFSG112TN11, SFNWFYFSP111TN01, SFNWFYFSP112TN01 and SFNWFYFSP112TN11
	802313QP	Outer Door Bezel Kit	Models SFNLCFSG111TQ01, SFNLCFSP111TQ01, SFNNCFSG112TQ01 and SFNNCFSP112TQ01
	802313WP	Outer Door Bezel Kit	All other models
2	802331P	Inner Door Bezel Kit	Models BF3LLFSG401UN01, BF3LLFSG401UW01, BF3LLFSG402UN01, BF3LLFSG402UW01, BF3LLFSP401UN01, BF3LLFSP401UW01, BF3LLFSP402UN01, BF3LLFSP402UW01, BF3LXFSG401UN01, BF3LXFSG401UW01, BF3LXFSG402UN01, BF3LXFSP401UN01, BF3LXFSP401UW01, BF3LXFSP402UN01, BF3LXFSP402UW01, HFNLXFSP111CN01, HFNNXFSP112CN01, JF3LMFSG411EN01, JF3LMFSG411EN06, NF3LLFSG401UN01, NF3LLFSG402UN01, NF3LLFSP401NN22, NF3LLFSP401UN01, NF3LLFSP402NN22, NF3LLFSP402UN01, NF3LXFSG401UN01, NF3LXFSG402UN01, NF3LXFSP401UN01, NF3LXFSP402UN01, RFNLYFSP111CW01, SFNLCFSG111TN01, SFNLCFSP111TN01, SFNLXFSP111TN01, SFNLXFSP301AN01, SFNLXFSP302AN01, SFNLYFSG111TN01, SFNLYFSP111TN01, SFNNCFSG111TN01, SFNNCFSG112TN01, SFNNCFSP111TN01, SFNNCFSP112TN01, SFNNXFSP112TN01, SFNNYFSG112TN01, SFNNYFSP112TN01, SFNWCFSG111TN01, SFNWCFSG112TN01, SFNWCFSG112TN11, SFNWCFSF111TN01, SFNWCFSF112TN01, SFNWCFSF112TN11, SFNWFYFSG111TN01, SFNWFYFSG112TN01, SFNWFYFSG112TN11, SFNWFYFSP111TN01, SFNWFYFSP112TN01 and SFNWFYFSP112TN11
	802307P	Inner Door Bezel Kit	All other models

# Door Assembly

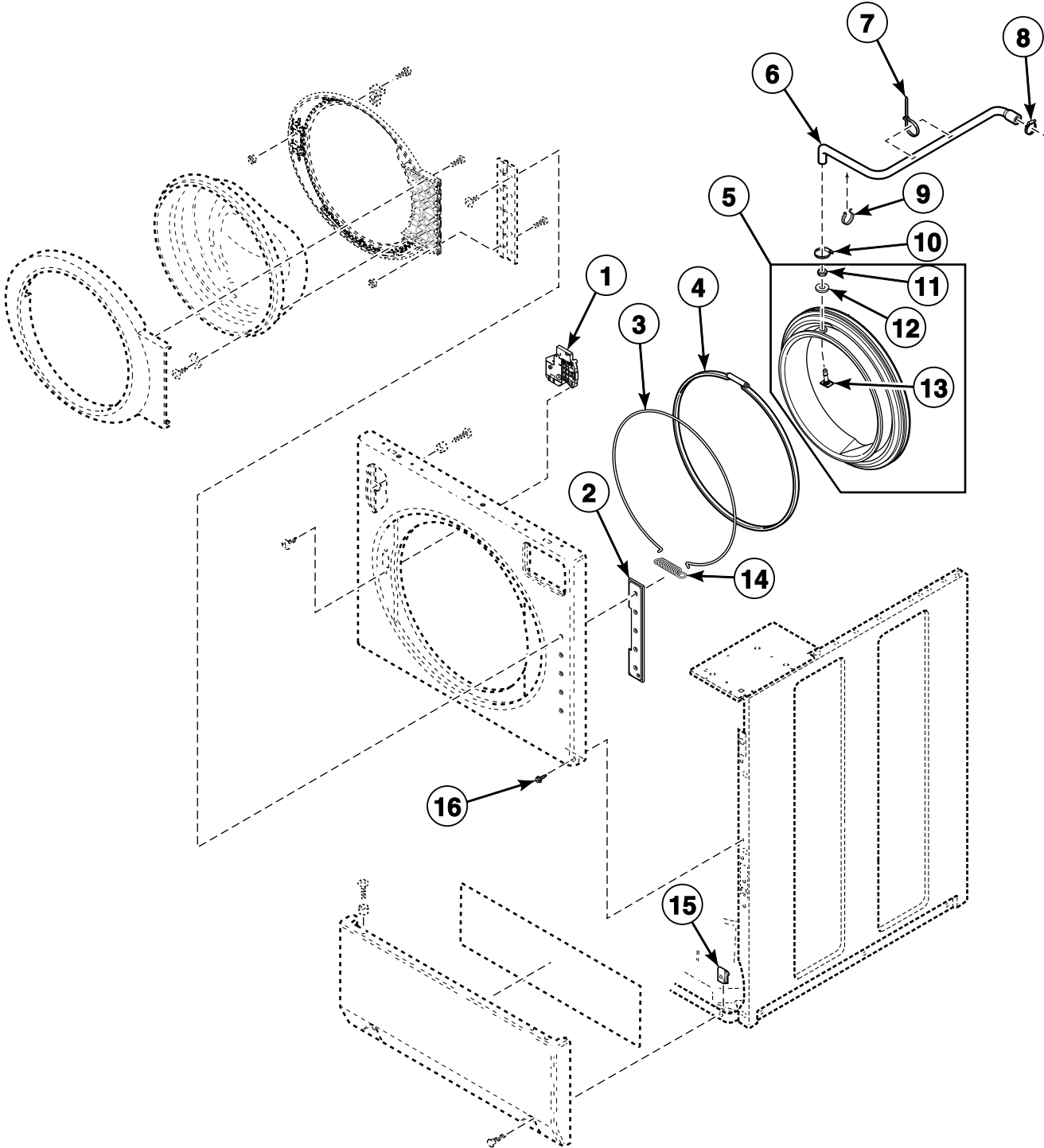


FLW938P\_803401

# Door Assembly

REF	PART NO.	DESCRIPTION	COMMENTS
1	802695P	Door Glass	
2	685846	Nut	
3	802803	Door Catch Assembly	
4	801993	Screw	
5	800548	Screw	
6	801019	Screw	
7	802934	Door Hinge	
8	23951	Nut	
9	802700	Glass Mounting Clip	
10	802872P	Door Assembly	Gray; Includes items 1-5, 7-9 and items on <i>Door Bezel Kits</i> ; Models BF3LLFSG401UN01, BF3LLFSG401UW01, BF3LLFSG402UN01, BF3LLFSG402UW01, BF3LLFSP401UN01, BF3LLFSP401UW01, BF3LLFSP402UN01, BF3LLFSP402UW01, BF3LXFSG401UN01, BF3LXFSG401UW01, BF3LXFSG402UN01, BF3LXFSP401UN01, BF3LXFSP401UW01, BF3LXFSP402UN01, BF3LXFSP402UW01, HFNLXFSP111CN01, HFNNXFSP112CN01, JF3LMFSG411EN01, JF3LMFSG411EN06, NF3LLFSG401UN01, NF3LLFSG402UN01, NF3LLFSP401NN22, NF3LLFSP401UN01, NF3LLFSP402NN22, NF3LLFSP402UN01, NF3LXFSG401UN01, NF3LXFSG402UN01, NF3LXFSP401UN01, NF3LXFSP402UN01, RFNLYFSP111CW01, SFNLCFSG111TN01, SFNLCFSP111TN01, SFNLXFSP111TN01, SFNLXFSP301AN01, SFNLXFSP302AN01, SFNLYFSG111TN01, SFNLYFSP111TN01, SFNNCFSG111TN01, SFNNCFSG112TN01, SFNNCFSP111TN01, SFNNCFSP112TN01, SFNNXFSP112TN01, SFNNYFSG112TN01, SFNNYFSP112TN01, SFNWCFSG111TN01, SFNWCFSG112TN01, SFNWCFSG112TN11, SFNWCFSF111TN01, SFNWCFSF112TN01, SFNWCFSF112TN11, SFNWFYFSG111TN01, SFNWFYFSG112TN01, SFNWFYFSG112TN11, SFNWFYFSP111TN01, SFNWFYFSP112TN01 and SFNWFYFSP112TN11
	802368QP	Door Assembly	Includes items 1-5, 7-9 and items on <i>Door Bezel Kits</i> ; Models SFNLCFSG111TQ01, SFNLCFSP111TQ01, SFNNCFSG112TQ01 and SFNNCFSP112TQ01
	802368WP	Door Assembly	Includes items 1-5, 7-9 and items on <i>Door Bezel Kits</i> ; All other models

# Front Panel and Door Seal (Drawing 1 of 2)

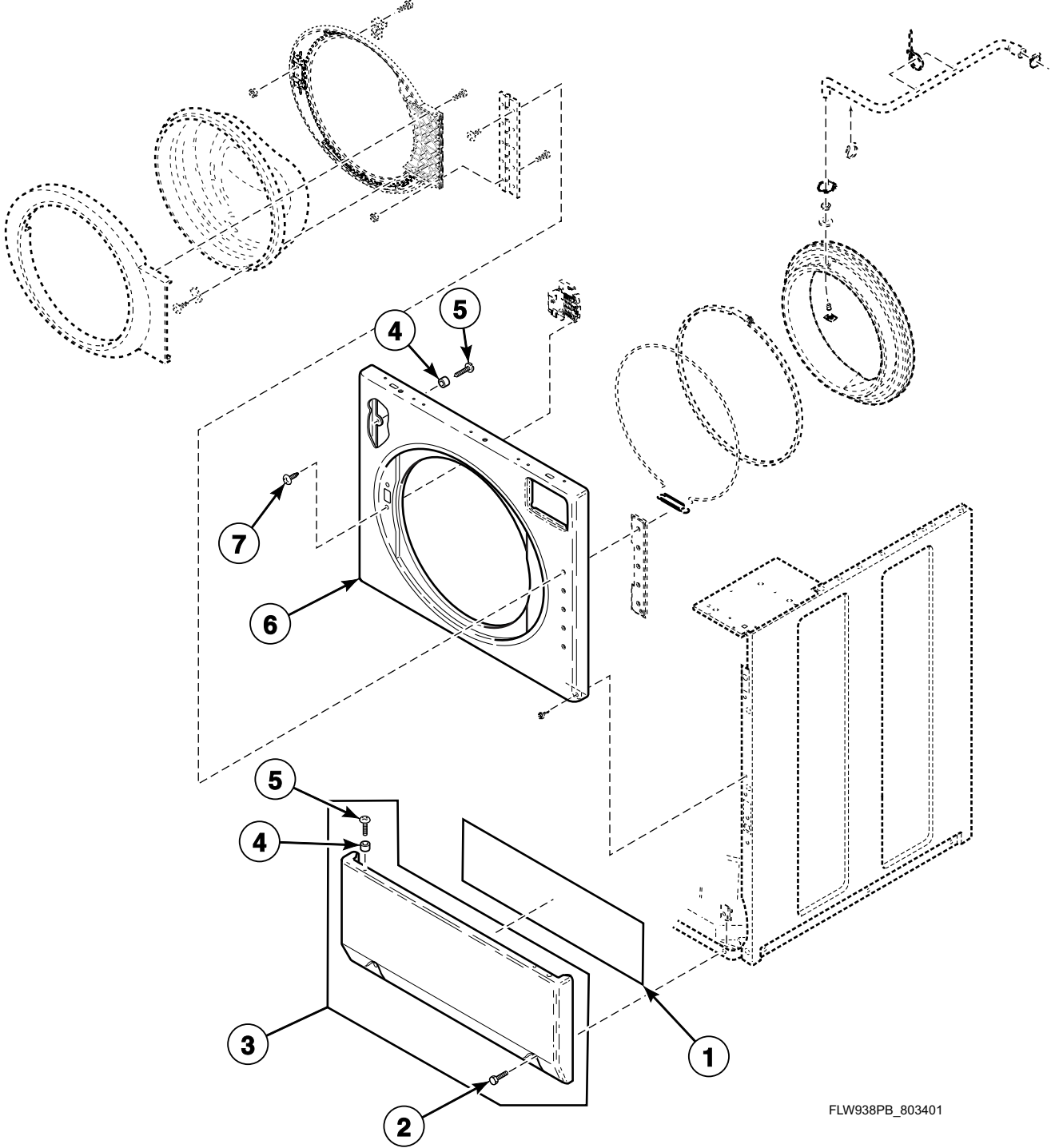


FLW938PA\_803401

## Front Panel and Door Seal (Drawing 1 of 2)

REF	PART NO.	DESCRIPTION	COMMENTS
1	802317P	Door Latch/Switch Assembly	
2	802206	Hinge Plate	
3	802283	Wire Clamp Ring	
4	802281	Hose Clamp	
5	803554	Door Seal Assembly	Models JF3LGFSP411EW06, JF3LMFSG411EN06, NF3LLFSG401UT06, NF3LLFSG402UT06, NF3LLFSP401UT06, NF3LLFSP402UT06 and NF3LXFSP402UW06
	802866P	Door Seal Assembly	Black; Includes items 11-13; All other models
	802830P	Door Seal Kit	Gray; Includes items 11-13; All other models
6	802256	Dispenser-to-Door Seal Hose	All models except JF3LGFSP411EW06, JF3LMFSG411EN06, NF3LLFSG401UT06, NF3LLFSG402UT06, NF3LLFSP401UT06 and NF3LLFSP402UT06
7	55881	Harness Strap	All models except JF3LGFSP411EW06, JF3LMFSG411EN06, NF3LLFSG401UT06, NF3LLFSG402UT06, NF3LLFSP401UT06 and NF3LLFSP402UT06
8	802164	Hose Clamp	All models except JF3LGFSP411EW06, JF3LMFSG411EN06, NF3LLFSG401UT06, NF3LLFSG402UT06, NF3LLFSP401UT06 and NF3LLFSP402UT06
9	687500	Wire Clip	All models except JF3LGFSP411EW06, JF3LMFSG411EN06, NF3LLFSG401UT06, NF3LLFSG402UT06, NF3LLFSP401UT06 and NF3LLFSP402UT06
10	802698	Hose Clamp	All models except JF3LGFSP411EW06, JF3LMFSG411EN06, NF3LLFSG401UT06, NF3LLFSG402UT06, NF3LLFSP401UT06 and NF3LLFSP402UT06
11	802292	Nut	All models except JF3LGFSP411EW06, JF3LMFSG411EN06, NF3LLFSG401UT06, NF3LLFSG402UT06, NF3LLFSP401UT06 and NF3LLFSP402UT06
12	802293	Washer	All models except JF3LGFSP411EW06, JF3LMFSG411EN06, NF3LLFSG401UT06, NF3LLFSG402UT06, NF3LLFSP401UT06 and NF3LLFSP402UT06
13	802291	Boot Nozzle	All models except JF3LGFSP411EW06, JF3LMFSG411EN06, NF3LLFSG401UT06, NF3LLFSG402UT06, NF3LLFSP401UT06 and NF3LLFSP402UT06
14	802285	Extension Spring	
15	36020	Nut	
16	503661	Screw	

# Front Panel and Door Seal (Drawing 2 of 2)



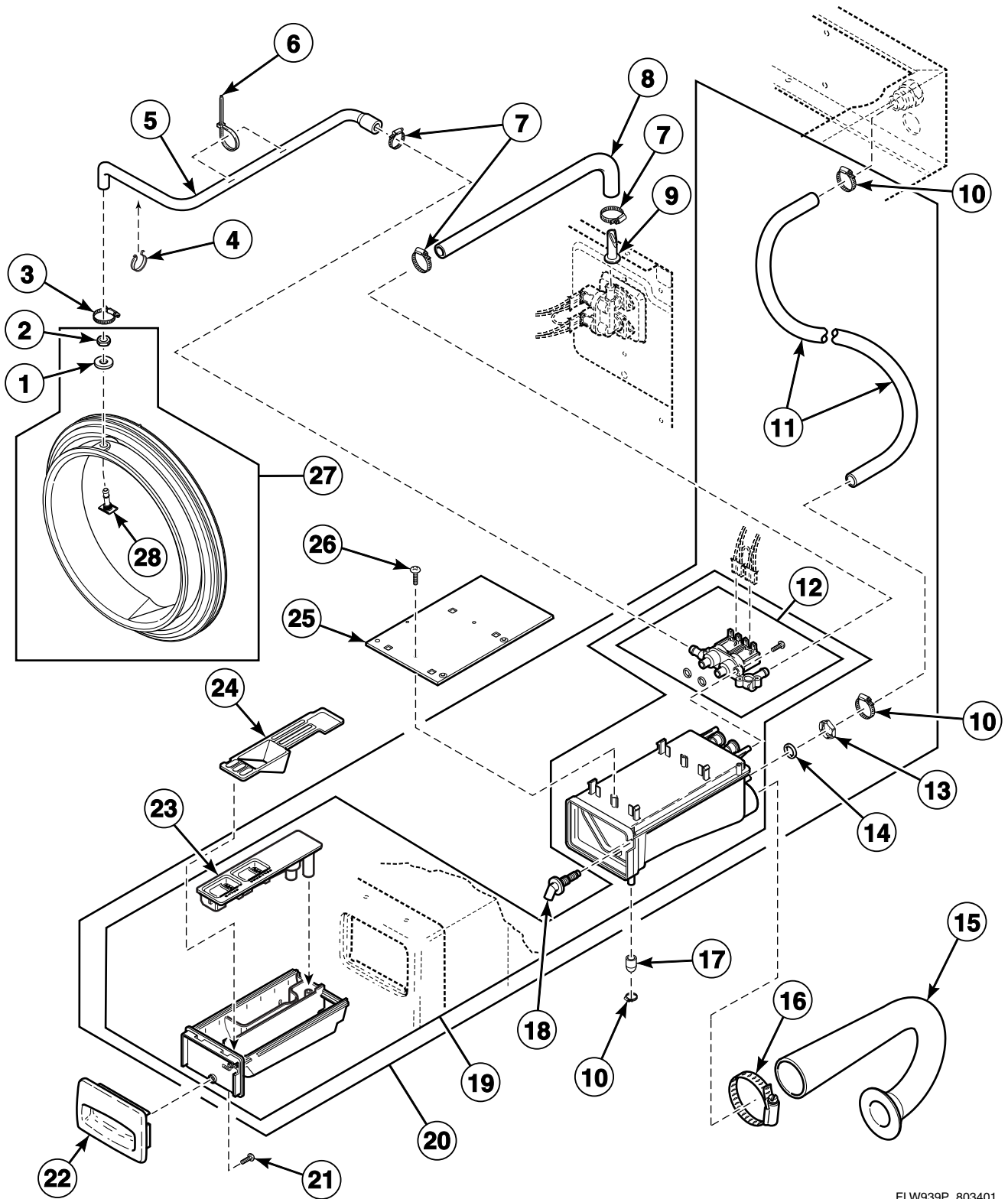
FLW938PB\_803401

## Front Panel and Door Seal (Drawing 2 of 2)

REF	PART NO.	DESCRIPTION	COMMENTS
1	685368	Access Panel Damper	1 inch by 26 inches
2	801045	Screw	
3	514250Q	Access Panel Assembly	Models SFNLCFSG111TQ01, SFNLCFSP111TQ01, SFNNCFSG112TQ01 and SFNNCFSP112TQ01
	514251	Access Panel Assembly	Models BF3LLFSG401UN01, BF3LLFSG402UN01, BF3LLFSP401UN01, BF3LLFSP402UN01, BF3LXFSG401UN01, BF3LXFSG402UN01, BF3LXFSP401UN01, BF3LXFSP402UN01, HFNLXFSP111CN01, HFNNXFSP112CN01, JF3LMFSG411EN01, JF3LMFSG411EN06, NF3LLFSG401UN01, NF3LLFSG402UN01, NF3LLFSP401NN22, NF3LLFSP401UN01, NF3LLFSP402NN22, NF3LLFSP402UN01, NF3LXFSG401UN01, NF3LXFSG402UN01, NF3LXFSP401UN01, NF3LXFSP402UN01, SFNLCFSG111TN01, SFNLCFSP111TN01, SFNLXFSP111TN01, SFNLXFSP301AN01, SFNLXFSP302AN01, SFNLYFSG111TN01, SFNLYFSP111TN01, SFNNCFSG111TN01, SFNNCFSG112TN01, SFNNCFSP111TN01, SFNNCFSP112TN01, SFNNXFSP112TN01, SFNNYFSG112TN01, SFNNYFSP112TN01, SFNWCFSG111TN01, SFNWCFSG112TN01, SFNWCFSG112TN11, SFNWCFSF111TN01, SFNWCFSF112TN01, SFNWCFSF112TN11, SFNWFYFSG111TN01, SFNWFYFSG112TN01, SFNWFYFSG112TN11, SFNWFYFSP111TN01, SFNWFYFSP112TN01 and SFNWFYFSP112TN11
	514250W	Access Panel Assembly	All other models
4	56079	Panel Locator	
5	512921	Screw	Models BF3LLFSG401UN01, BF3LLFSG402UN01, BF3LLFSP401UN01, BF3LLFSP402UN01, BF3LXFSG401UN01, BF3LXFSG402UN01, BF3LXFSP401UN01, BF3LXFSP402UN01, HFNLXFSP111CN01, HFNNXFSP112CN01, JF3LMFSG411EN01, JF3LMFSG411EN06, NF3LLFSG401UN01, NF3LLFSG402UN01, NF3LLFSP401NN22, NF3LLFSP401UN01, NF3LLFSP402NN22, NF3LLFSP402UN01, NF3LXFSG401UN01, NF3LXFSG402UN01, NF3LXFSP401UN01, NF3LXFSP402UN01, SFNLCFSG111TN01, SFNLCFSP111TN01, SFNLXFSP111TN01, SFNLXFSP301AN01, SFNLXFSP302AN01, SFNLYFSG111TN01, SFNLYFSP111TN01, SFNNCFSG111TN01, SFNNCFSG112TN01, SFNNCFSP111TN01, SFNNCFSP112TN01, SFNNXFSP112TN01, SFNNYFSG112TN01, SFNNYFSP112TN01, SFNWCFSG111TN01, SFNWCFSG112TN01, SFNWCFSG112TN11, SFNWCFSF111TN01, SFNWCFSF112TN01, SFNWCFSF112TN11, SFNWFYFSG111TN01, SFNWFYFSG112TN01, SFNWFYFSG112TN11, SFNWFYFSP111TN01, SFNWFYFSP112TN01 and SFNWFYFSP112TN11
	39733	Screw	All other models
6	802277QP	Front Panel	Models SFNLCFSG111TQ01, SFNLCFSP111TQ01, SFNNCFSG112TQ01 and SFNNCFSP112TQ01
	802288P	Front Panel	Models BF3LLFSG401UN01, BF3LLFSG402UN01, BF3LLFSP401UN01, BF3LLFSP402UN01, BF3LXFSG401UN01, BF3LXFSG402UN01, BF3LXFSP401UN01, BF3LXFSP402UN01, HFNLXFSP111CN01, HFNNXFSP112CN01, JF3LMFSG411EN01, JF3LMFSG411EN06, NF3LLFSG401UN01, NF3LLFSG402UN01, NF3LLFSP401NN22, NF3LLFSP401UN01, NF3LLFSP402NN22, NF3LLFSP402UN01, NF3LXFSG401UN01, NF3LXFSG402UN01, NF3LXFSP401UN01, NF3LXFSP402UN01, SFNLCFSG111TN01, SFNLCFSP111TN01, SFNLXFSP111TN01, SFNLXFSP301AN01, SFNLXFSP302AN01, SFNLYFSG111TN01, SFNLYFSP111TN01, SFNNCFSG111TN01, SFNNCFSG112TN01, SFNNCFSP111TN01, SFNNCFSP112TN01, SFNNXFSP112TN01, SFNNYFSG112TN01, SFNNYFSP112TN01, SFNWCFSG111TN01, SFNWCFSG112TN01, SFNWCFSG112TN11, SFNWCFSF111TN01, SFNWCFSF112TN01, SFNWCFSF112TN11, SFNWFYFSG111TN01, SFNWFYFSG112TN01, SFNWFYFSG112TN11, SFNWFYFSP111TN01, SFNWFYFSP112TN01 and SFNWFYFSP112TN11
	802277WP	Front Panel	All other models
7	800548	Screw	

# Dispenser Assembly and Supply Injection Hoses

Models SFNLCFJP111TW01, SFNLYFJP111TW01, SFNNCFJP112TW01 and SFNNYFJP112TW01



FLW939P\_803401

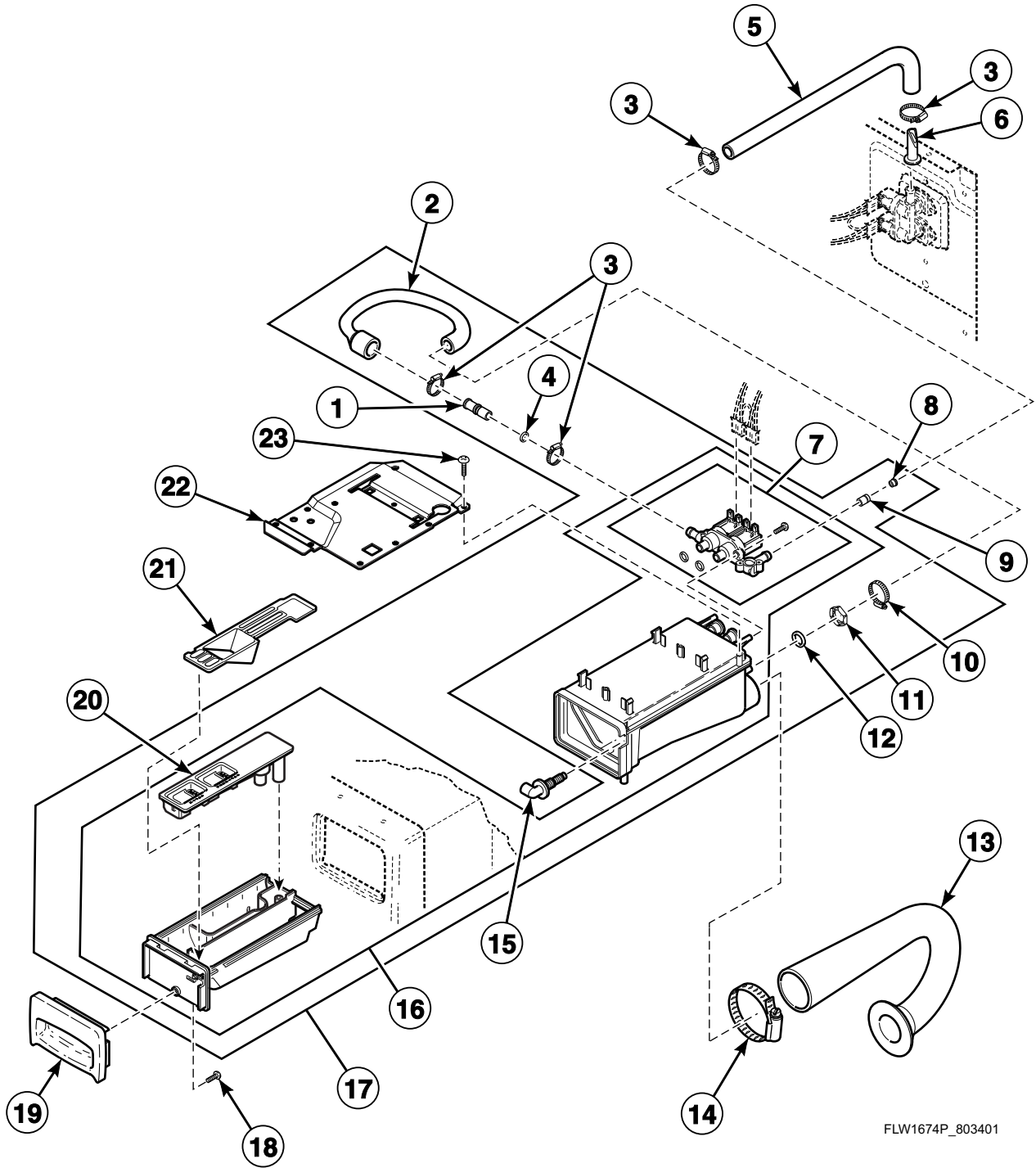


## Dispenser Assembly and Supply Injection Hoses

REF	PART NO.	DESCRIPTION	COMMENTS
1	802293	Washer	
2	802292	Nut	
3	802698	Hose Clamp	
4	687500	Wire Clip	
5	802256	Dispenser-to-Door Seal Hose	
6	55881	Harness Strap	
7	802164	Hose Clamp	
8	801464	Valve-to-Dispenser Inlet Hose	
9	34500	Backflow Preventer	
10	F200206	Hose Clamp	
11	801635	Tubing	
12	685766P	Valve Kit	
13	802292	Nut	
14	F170208	O-Ring	
15	800331	Dispenser-to-Tub Hose	
16	685725	Hose Clamp	
17	801746	Cap	
18	F8322001	Injection Nozzle	
19	801630P	Dispenser Assembly	Includes items 12 and 23
20	801662P	Dispenser Assembly	Includes items 10-14, 18, 19, 23 and 801789 Connector
21	800548	Screw	
22	685715WP	Dispenser Drawer Front	
23	685716	Insert	
24	800899	Detergent Cover	
25	801024	Dispenser Plate	
26	801001	Screw	
27	802866P	Door Seal Assembly	Black; Includes items 1, 2 and 28
	802830P	Door Seal Kit	Gray; Includes items 1, 2 and 28
28	802291	Boot Nozzle	

# Dispenser Assembly (Drawing 1 of 3)

Models JF3LGFSP411EW06, JF3LMFSG411EN06, NF3LLFSG401UT06, NF3LLFSG402UT06,  
NF3LLFSP401UT06, NF3LLFSP402UT06 and NF3LXFSP402UW06



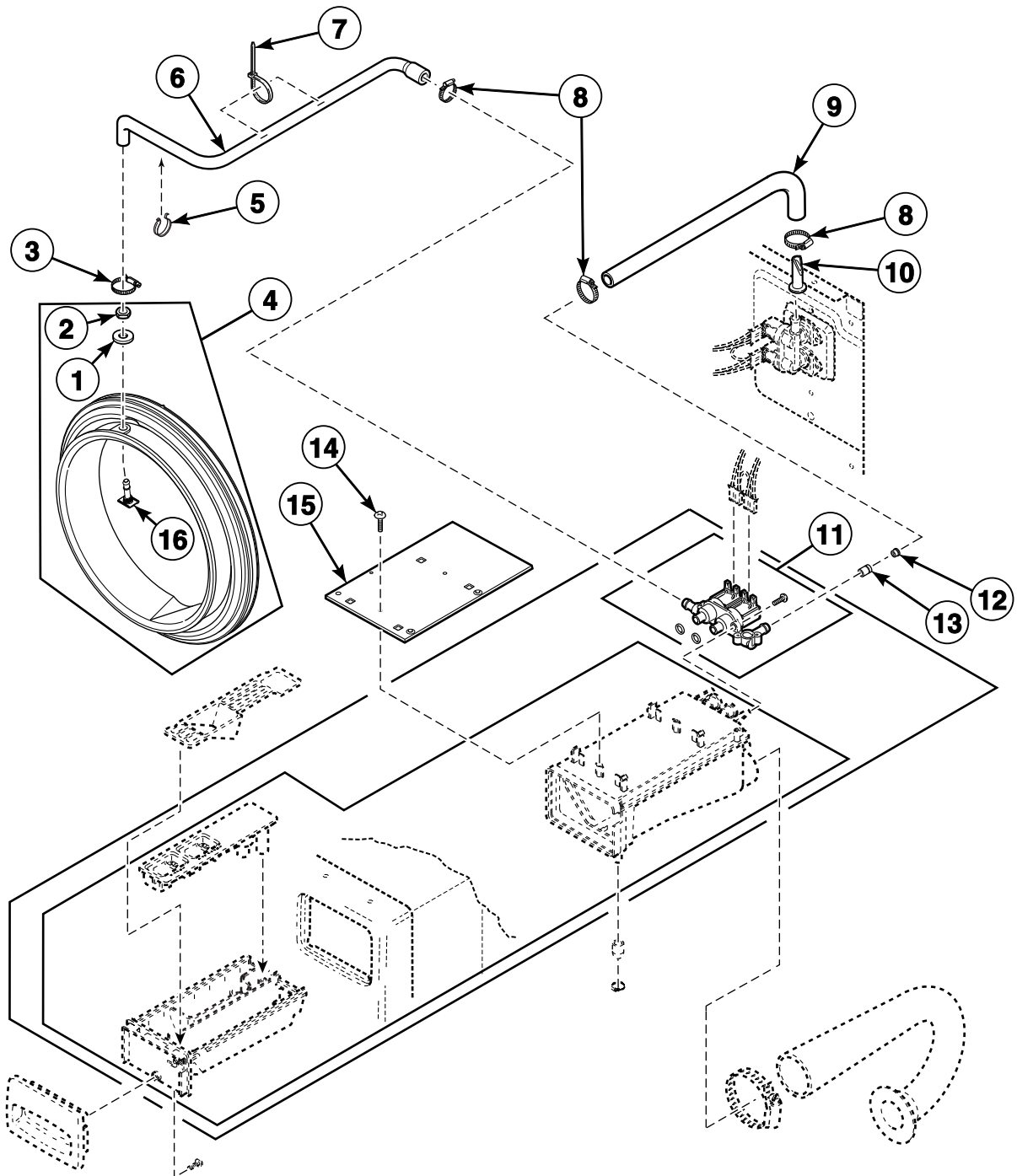
FLW1674P\_803401

## Dispenser Assembly (Drawing 1 of 3)

REF	PART NO.	DESCRIPTION	COMMENTS
1	803544	Orifice	
2	803440	Dispenser-to-Air Gap Hose	
3	802164	Hose Clamp	
4	803545	O-Ring	
5	801464	Valve-to-Dispenser Inlet Hose	
6	34500	Backflow Preventer	
7	801836P	Valve Kit	
8	803230	Flow Regulator	
9	803231	Spacer	
10	802698	Hose Clamp	
11	M404993	Nut	
12	F170208	O-Ring	
13	800331	Dispenser-to-Tub Hose	
14	685725	Hose Clamp	
15	F8322001	Injection Nozzle	
16	803441	Dispenser Assembly	Includes items 7 and 20
17	803546	Dispenser Assembly	Includes items 1-4, 7-12, 15, 16 and 20
18	800548	Screw	
19	803318	Dispenser Handle	Model JF3LMFSG411EN06
	803329W	Dispenser Handle	All other models
20	685716	Insert	
21	800899	Detergent Cover	
22	801024	Dispenser Plate	
23	801001	Screw	

# Dispenser Assembly (Drawing 2 of 3)

All Models Except JF3LGFSP411EW06, JF3LMFSG411EN06, NF3LLFSG401UT06, NF3LLFSG402UT06, NF3LLFSP401UT06, NF3LLFSP402UT06, SFNLCFJP111TW01, SFNLYFJP111TW01, SFNNCFJP112TW01 and SFNNYFJP112TW01



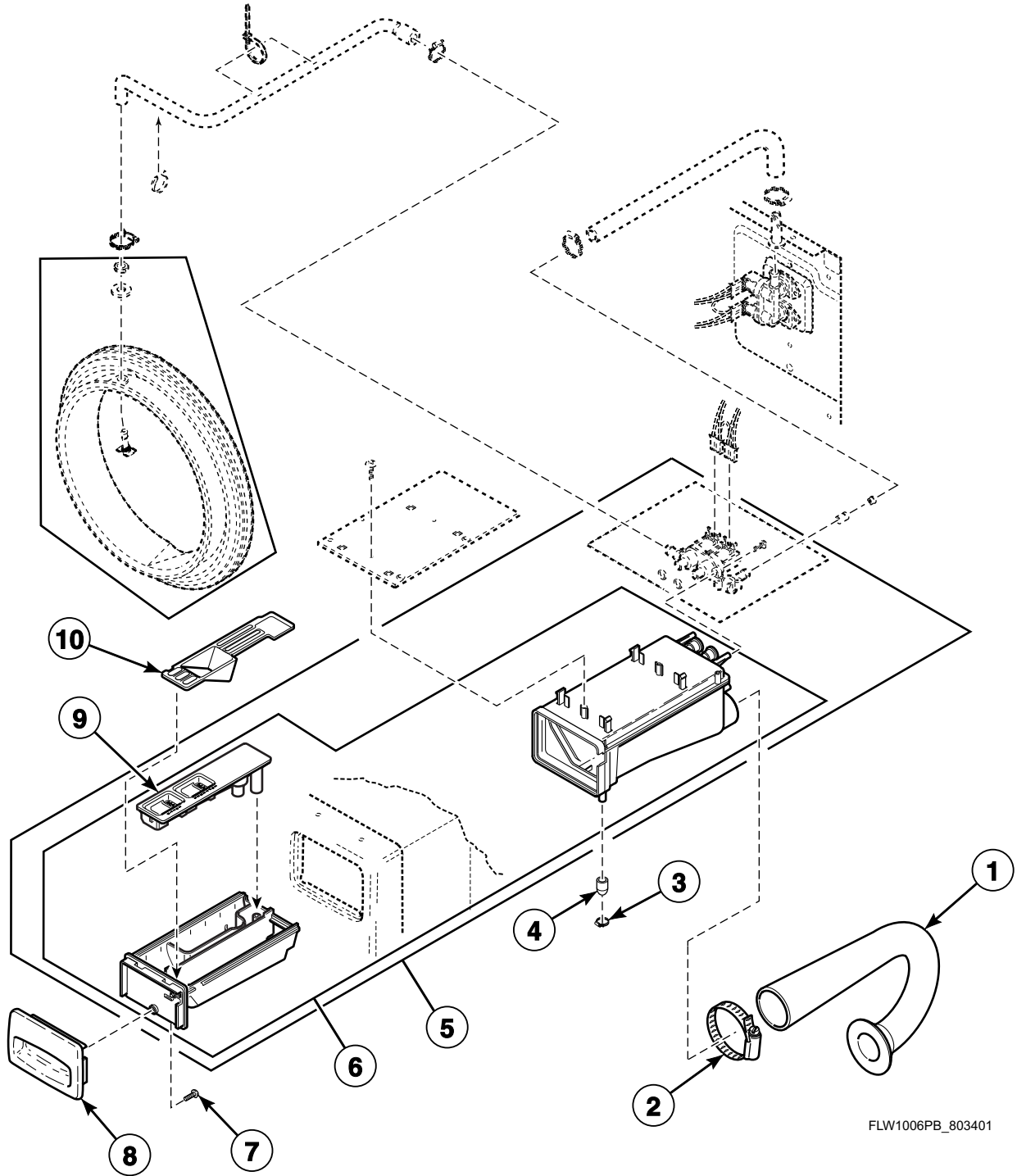
FLW1006PA\_803401

## Dispenser Assembly (Drawing 2 of 3)

REF	PART NO.	DESCRIPTION	COMMENTS
1	802293	Washer	
2	802292	Nut	
3	802698	Hose Clamp	
4	802866P	Door Seal Assembly	Black; Includes items 1, 2 and 16
	802830P	Door Seal Kit	Gray; Includes items 1, 2 and 16
5	687500	Wire Clip	
6	802256	Dispenser-to-Door Seal Hose	
7	39037	Cable Tie	
8	802164	Hose Clamp	
9	801464	Valve-to-Dispenser Inlet Hose	
10	34500	Backflow Preventer	
11	801836P	Valve Kit	Models BF3LLFSG401UN01, BF3LLFSG401UW01, BF3LLFSG402UN01, BF3LLFSG402UW01, BF3LLFSP401UN01, BF3LLFSP401UW01, BF3LLFSP402UN01, BF3LLFSP402UW01, BF3LXFSG401UN01, BF3LXFSG401UW01, BF3LXFSG402UN01, BF3LXFSP401UN01, BF3LXFSP401UW01, BF3LXFSP402UN01, BF3LXFSP402UW01, JF3LEFSP411EW01, JF3LGFSP411EW01, JF3LMFSG411EN01, JFNLEFSG301EW01, JFNLEFSP301EW01, NF3LLFSG401UN01, NF3LLFSG401UT01, NF3LLFSG402UN01, NF3LLFSG402UT01, NF3LLFSP401NN22, NF3LLFSP401NW22, NF3LLFSP401UN01, NF3LLFSP401UT01, NF3LLFSP401UW01, NF3LLFSP402NN22, NF3LLFSP402NW22, NF3LLFSP402UN01, NF3LLFSP402UT01, NF3LLFSP402UW01, NF3LXFSG401UN01, NF3LXFSG401UW01, NF3LXFSG402UN01, NF3LXFSG402UW01, NF3LXFSP401UN01, NF3LXFSP401UW01, NF3LXFSP402NW22, NF3LXFSP402UN01, NF3LXFSP402UW01, NF3LXFSP402UW06, NF3LYFSG401UW01, NF3LYFSG402UW01, SFNLXFSP301AN01, SFNLXFSP301AW01, SFNLXFSP302AW01, SFNLXFSP302AN01 and SFNNXRSP542NW23
	685766P	Valve Kit	All other models
12	803230	Flow Regulator	Models JF3LEFSP411EW01, JF3LGFSP411EW01, JF3LMFSG411EN01, JFNLEFSG301EW01 and JFNLEFSP301EW01
13	803231	Spacer	Models JF3LEFSP411EW01, JF3LGFSP411EW01, JF3LMFSG411EN01, JFNLEFSG301EW01 and JFNLEFSP301EW01
14	801001	Screw	
15	801024	Dispenser Plate	
16	802291	Boot Nozzle	

# Dispenser Assembly (Drawing 3 of 3)

All Models Except JF3LGFSP411EW06, JF3LMFSG411EN06, NF3LLFSG401UT06, NF3LLFSG402UT06,  
NF3LLFSP401UT06, NF3LLFSP402UT06, SFNLCFJP111TW01, SFNLYFJP111TW01,  
SFNNCFJP112TW01 and SFNNYFJP112TW01

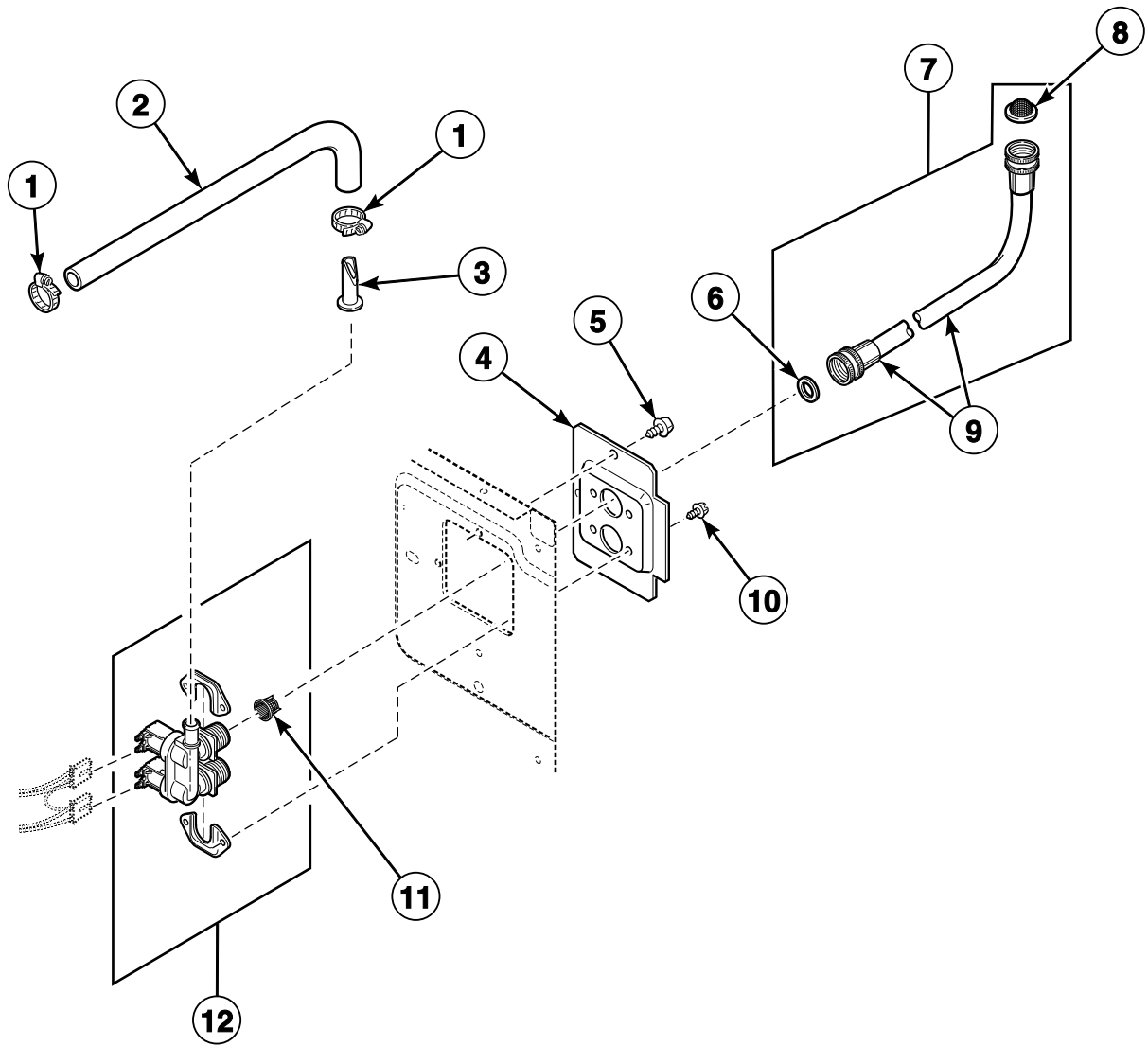


FLW1006PB\_803401

## Dispenser Assembly (Drawing 3 of 3)

REF	PART NO.	DESCRIPTION	COMMENTS
1	800331	Dispenser-to-Tub Hose	
2	685725	Hose Clamp	
3	F200206	Hose Clamp	
4	801746	Cap	
5	801090P	Dispenser	Includes items 6, 9 and item 11 on <i>Dispenser Assembly (Drawing 2 of 3)</i> ; Models BF3LLFSG401UN01, BF3LLFSG401UW01, BF3LLFSG402UN01, BF3LLFSG402UW01, BF3LLFSP401UN01, BF3LLFSP401UW01, BF3LLFSP402UN01, BF3LLFSP402UW01, BF3LXFSG401UN01, BF3LXFSG401UW01, BF3LXFSG402UN01, BF3LXFSP401UN01, BF3LXFSP401UW01, BF3LXFSP402UN01, BF3LXFSP402UW01, JF3LEFSP411EW01, JF3LGFSP411EW01, JF3LMFSG411EN01, JFNLEFSG301EW01, JFNLEFSP301EW01, NF3LLFSG401UN01, NF3LLFSG401UT01, NF3LLFSG402UN01, NF3LLFSG402UT01, NF3LLFSP401NN22, NF3LLFSP401NW22, NF3LLFSP401UN01, NF3LLFSP401UT01, NF3LLFSP401UW01, NF3LLFSP402NN22, NF3LLFSP402NW22, NF3LLFSP402UN01, NF3LLFSP402UT01, NF3LLFSP402UW01, NF3LXFSG401UN01, NF3LXFSG401UW01, NF3LXFSG402UN01, NF3LXFSG402UW01, NF3LXFSP401UN01, NF3LXFSP401UW01, NF3LXFSP402NW22, NF3LXFSP402UN01, NF3LXFSP402UW01, NF3LXFSP402UW06, NF3LYFSG401UW01, NF3LYFSG402UW01, SFNLXFSP301AN01, SFNLXFSP301AW01, SFNLXFSP302AW01, SFNLXFSP302AN01 and SFNNXRSP542NW23
	685756P	Dispenser	Includes items 6, 9 and item 11 on <i>Dispenser Assembly (Drawing 2 of 3)</i> ; All other models
6	801476P	Dispenser Assembly	Includes item 9
7	800548	Screw	
8	685715QP	Dispenser Drawer Front	Models SFNLCFSG111TQ01, SFNLCFSP111TQ01, SFNNCFSG112TQ01 and SFNNCFSP112TQ01
	803318	Dispenser Handle	Model JF3LMFSG411EN01
	803329W	Dispenser Handle	Models JF3LEFSP411EW01, JF3LGFSP411EW01, JFNLEFSG301EW01 and JFNLEFSP301EW01
	802879P	Dispenser Handle	Models BF3LLFSG401UN01, BF3LLFSG402UN01, BF3LLFSP401UN01, BF3LLFSP402UN01, BF3LXFSG401UN01, BF3LXFSG402UN01, BF3LXFSP401UN01, BF3LXFSP402UN01, HFNLXFSP111CN01, HFNNXFSP112CN01, NF3LLFSG401UN01, NF3LLFSG402UN01, NF3LLFSP401NN22, NF3LLFSP401UN01, NF3LLFSP402NN22, NF3LLFSP402UN01, NF3LXFSG401UN01, NF3LXFSG402UN01, NF3LXFSP401UN01, NF3LXFSP402UN01, SFNLCFSG111TN01, SFNLCFSP111TN01, SFNLXFSP111TN01, SFNLXFSP301AN01, SFNLXFSP302AN01, SFNLYFSG111TN01, SFNLYFSP111TN01, SFNNCFSG111TN01, SFNNCFSG112TN01, SFNNCFSP111TN01, SFNNCFSP112TN01, SFNNXFSP112TN01, SFNNYFSG112TN01, SFNNYFSP112TN01, SFNWCFSG111TN01, SFNWCFSG112TN01, SFNWCFSG112TN11, SFNWCFSF111TN01, SFNWCFSF112TN01, SFNWCFSF112TN11, SFNWFYFSG111TN01, SFNWFYFSG112TN01, SFNWFYFSG112TN11, SFNWFYFSP111TN01, SFNWFYFSP112TN01 and SFNWFYFSP112TN11
	685715WP	Dispenser Drawer Front	All other models
9	685716	Insert	
10	800899	Detergent Cover	

# Mixing Valve, Inlet Hose and Dispenser Hose



FLW881P\_803401

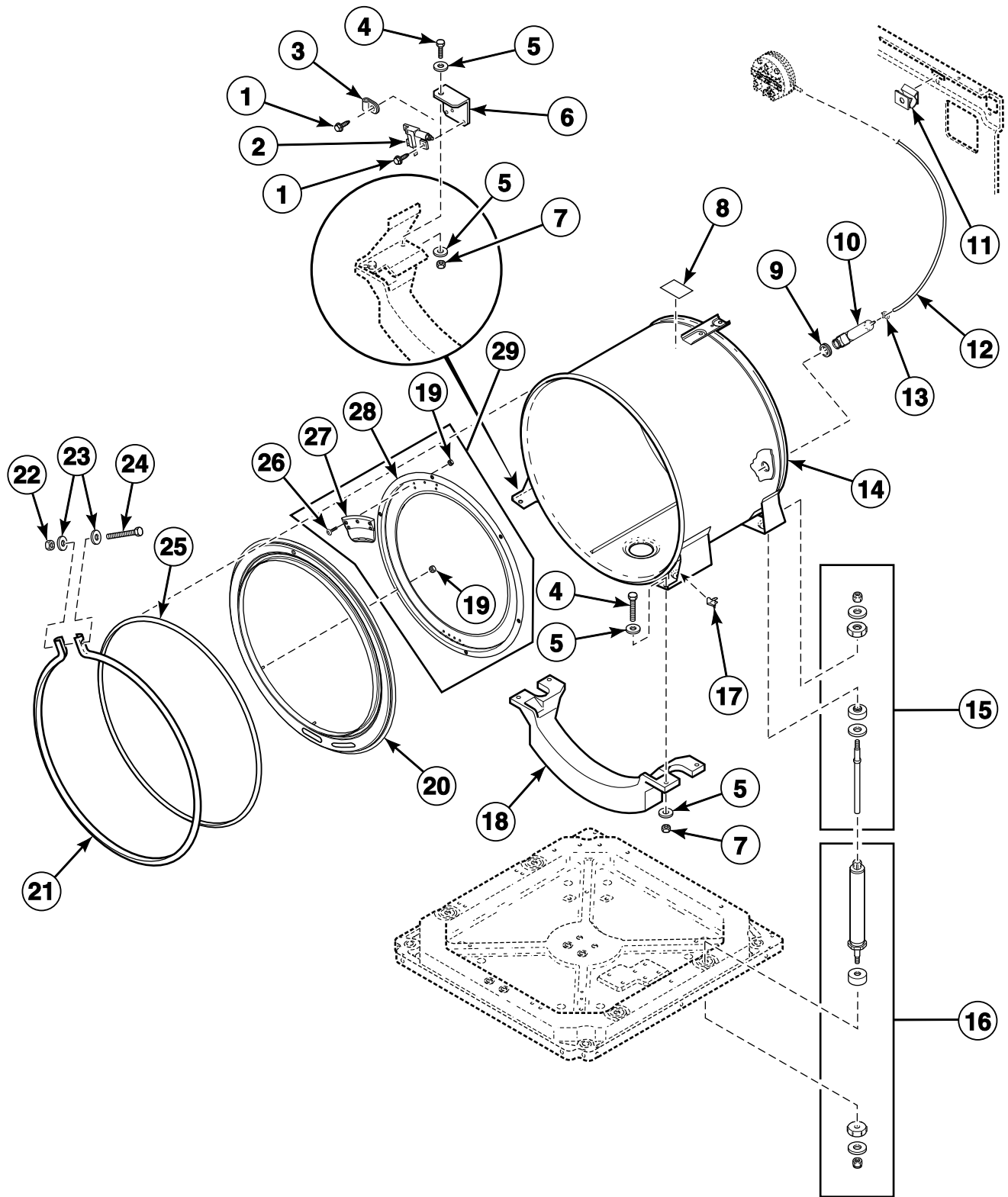


## Mixing Valve, Inlet Hose and Dispenser Hose

REF	PART NO.	DESCRIPTION	COMMENTS
1	802164	Hose Clamp	
2	801464	Valve-to-Dispenser Inlet Hose	
3	34500	Backflow Preventer	
4	800323	Mixing Valve Plate	
5	503661	Screw	
6	20290	Washer	
7	F200116	Water Hose	5 feet; Hose is equipped with 2 standard hose couplings; Includes items 6 and 8
	38349P	Fill Hose Kit	5 feet; Hose is equipped with 1 metric and 1 standard hose coupling; Includes 2 of item 6
8	803615	Washer	Filter screen
	802254	Washer	Flow restrictor; Water pressure reducer; Available for water pressure up to but not exceeding 120 psi
9	20617	Fill Hose	8 feet; Optional; Hose is equipped with 2 standard hose couplings
	20618	Fill Hose	10 feet; Optional; Hose is equipped with 2 standard hose couplings
	37380	Fill Hose	8 feet; Hose is equipped with 1 metric and 1 standard hose coupling
	37381	Fill Hose	10 feet; Hose is equipped with 1 metric and 1 standard hose coupling
10	501086	Screw	
11	802926	Mixing Valve Screen	
12	802222P	Mixing Valve	Models BF3LLFSG401UN01, BF3LLFSG401UW01, BF3LLFSG402UN01, BF3LLFSG402UW01, BF3LLFSP401UN01, BF3LLFSP401UW01, BF3LLFSP402UN01, BF3LLFSP402UW01, BF3LXFSG401UN01, BF3LXFSG401UW01, BF3LXFSG402UN01, BF3LXFSP401UN01, BF3LXFSP401UW01, BF3LXFSP402UN01, BF3LXFSP402UW01, JF3LEFSP411EW01, JF3LGFSP411EW01, JF3LGFSP411EW06, JF3LMFSG411EN01, JF3LMFSG411EN06, JFNLEFSG301EW01, JFNLEFSP301EW01, NF3LLFSG401UN01, NF3LLFSG401UT01, NF3LLFSG401UT06, NF3LLFSG402UN01, NF3LLFSG402UT01, NF3LLFSG402UT06, NF3LLFSP401NN22, NF3LLFSP401NW22, NF3LLFSP401UN01, NF3LLFSP401UT01, NF3LLFSP401UT06, NF3LLFSP401UW01, NF3LLFSP402NN22, NF3LLFSP402NW22, NF3LLFSP402UN01, NF3LLFSP402UT01, NF3LLFSP402UT06, NF3LLFSP402UW01, NF3LXFSG401UN01, NF3LXFSG401UW01, NF3LXFSG402UN01, NF3LXFSG402UW01, NF3LXFSP401UN01, NF3LXFSP401UW01, NF3LXFSP402NW22, NF3LXFSP402UN01, NF3LXFSP402UW01, NF3LXFSP402UW06, NF3LYFSG401UW01, NF3LYFSG402UW01, SFNLXFSP301AN01, SFNLXFSP301AW01, SFNLXFSP302AW01, SFNLXFSP302AN01 and SFNXXRSP542NW23
	802220P	Mixing Valve	All other models

# Outer Tub, Clamp Ring and Shock Absorbers

All Models Without Heater



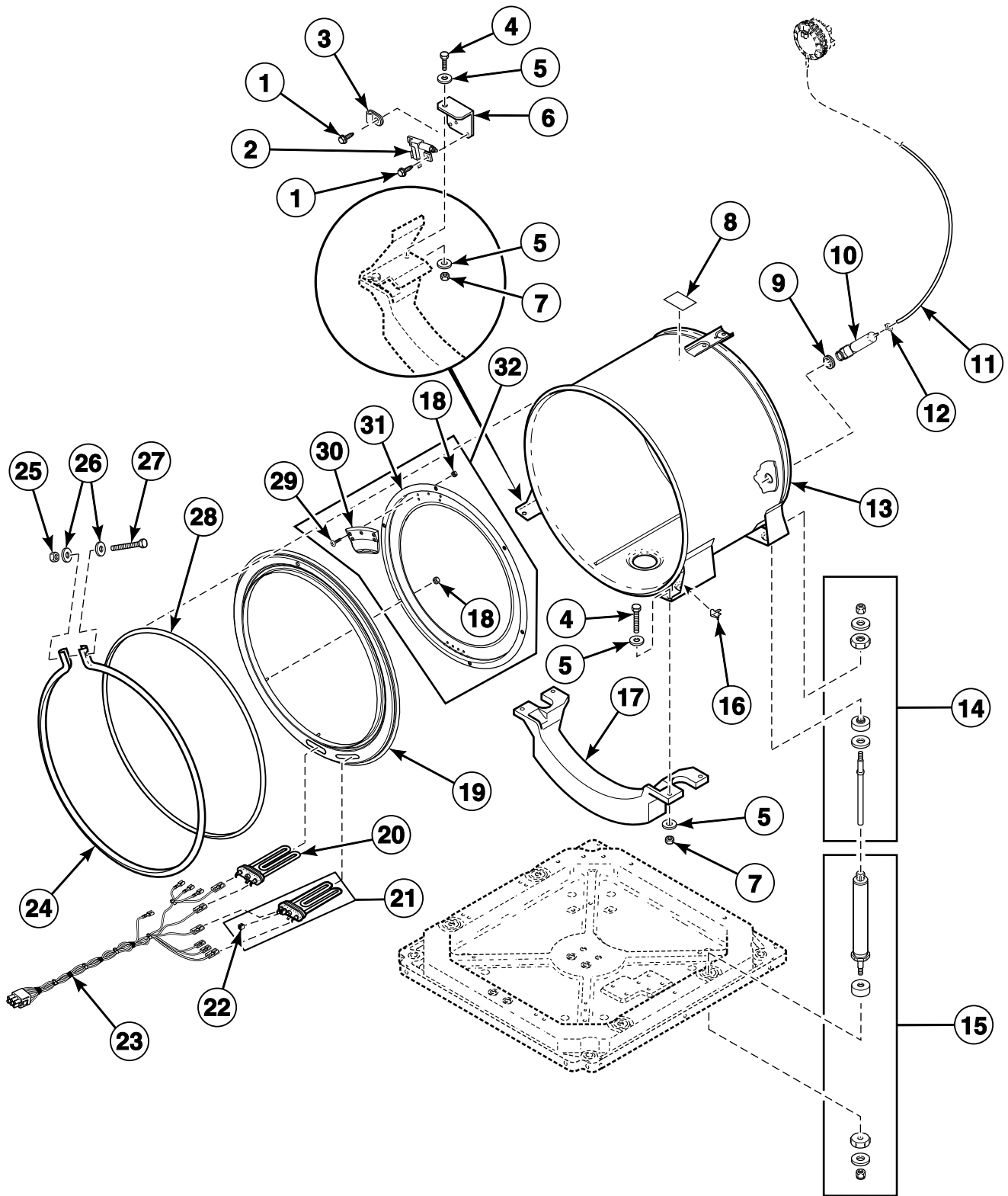
FLW1013P\_803401

## Outer Tub, Clamp Ring and Shock Absorbers

REF	PART NO.	DESCRIPTION	COMMENTS
1	503661	Screw	
2	801006	Out-of-Balance Switch Assembly	Models through Serial No. 1106019172 and starting again Serial No. 1106030843 through Serial No. 1201004551
	803415	Out-of-Balance Switch Assembly	Models starting Serial No. 1106019173 through Serial No. 1106030842 and starting again Serial No. 1201004552
3	800811	Wire Clamp	
4	800461	Screw	
5	M400081	Washer	
6	800663	Switch Mounting Bracket	Models through Serial No. 1106019172 and starting again Serial No. 1106030843 through Serial No. 1201004551
	803388	Switch Mounting Bracket	Models starting Serial No. 1106019173 through Serial No. 1106030842 and starting again Serial No. 1201004552
7	800452	Nut	
8	500314	Warning Label	Models HFNLEFSP111CW01, HFNLEFSP111CWNA, HFNLERSP111CW01, HFNLERSP111CWNA, HFNLXFSP111CN01, HFNLXFSP111CW01, HFNLXRSP111CW01, HFNLXFSP111CW01, HFNLXFSP111CWNA, HFNLXRSP111CW01, HFNLXRSP111CWNA, HFNNFSP112CW01, HFNNERSP112CW01, HFNNXFSP112CN01, HFNNXFSP111CW01, HFNNXFSP112CW01, HFNNXRSP111CW01, HFNNXRSP112CW01, HFNNYFSP112CW01, HFNNYRSP112CW01 and RFNLXFSP111CW01
	502511	Electrical Shock Label	Models JFNLEFSG301EW01 and JFNLEFSP301EW01
	502506	Pinched Fingers Label	Models JFNLEFSG301EW01 and JFNLEFSP301EW01
	500049	Warning Label	All other models
9	29175	Grommet	
10	30907	Pressure Bulb	
11	36985	Hose Clip	Positioned here on rear control models
12	685751	Tubing	Models HFNLERSP111CW01, HFNLERSP111CWNA, HFNLXRSP111CW01, HFNNERSP112CW01, HFNNXRSP111CW01, HFNNXRSP112CW01, SFNLCRSP111TW01, SFNLCRSP111TW02, SFNLCRSP111TWAF, SFNLCRSP111TWNA, SFNLXRSP111TW02, SFNNCRSP111TW01, SFNNCRSP111TW02, SFNNCRSP112TW01, SFNNCRSP112TW02, SFNNXRSP111TW02 and SFNNXRSP112TW02
	33324	Tubing	Model SFNNXRSP542NW23
	800648P	Tubing	All other models
13	39282	Hose Clamp	
14	801081P	Outer Tub Assembly	
15	800622P	Tub Shock Absorber Kit	Upper
16	802881P	Base Shock Absorber Kit	Lower; Must replace all 4
17	00161	Grounding Clip	
18	800205	Ballast Weight	
19	802343	Nut	
20	802258	Tub Front Assembly	
21	800312	Clamp Ring	
22	F430218	Nut	
23	800457	Washer	
24	800462	Screw	
25	800432P	Tub Front Seal	
26	802596	Screw	
27	804174P	Clothes Guard Deflector	
28	803537	Clothes Guard	
29	804560P	Clothes Guard and Deflector Kit	Includes items 7, 19 and 23-28

# Outer Tub, Clamp Ring, Shock Absorbers and Heating Element

All Models With Heater

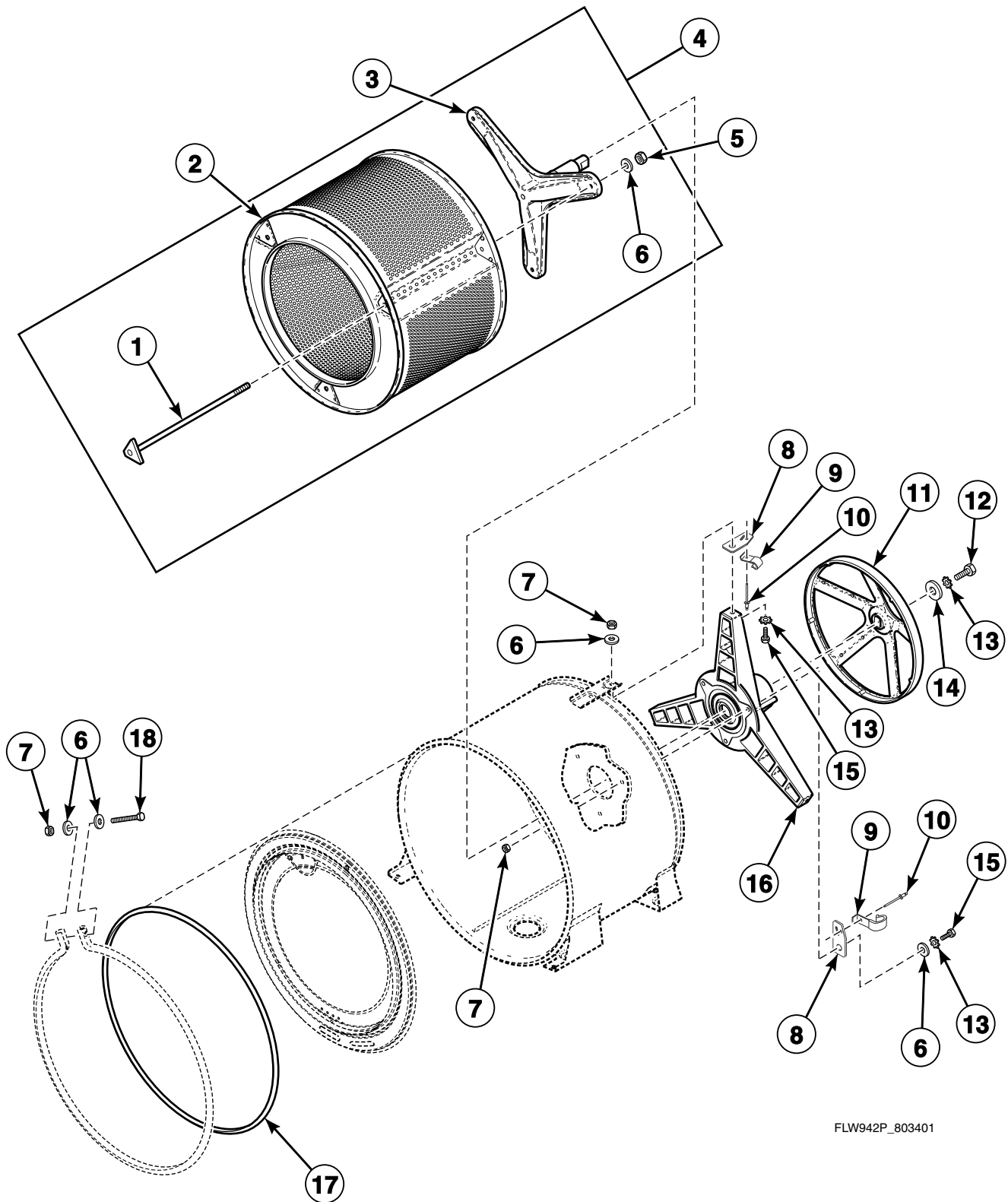


FLW1012P\_803401

# Outer Tub, Clamp Ring, Shock Absorbers and Heating Element

REF	PART NO.	DESCRIPTION	COMMENTS
1	503661	Screw	
2	801006	Out-of-Balance Switch Assembly	Models through Serial No. 1106019172 and starting again Serial No. 1106030843 through Serial No. 1201004551
	803415	Out-of-Balance Switch Assembly	Models starting Serial No. 1106019173 through Serial No. 1106030842 and starting again Serial No. 1201004552
3	800811	Wire Clamp	
4	800461	Screw	
5	M400081	Washer	
6	800663	Switch Mounting Bracket	Models through Serial No. 1106019172 and starting again Serial No. 1106030843 through Serial No. 1201004551
	803388	Switch Mounting Bracket	Models starting Serial No. 1106019173 through Serial No. 1106030842 and starting again Serial No. 1201004552
7	800452	Nut	
8	502511	Electrical Shock Label	
	502506	Pinched Fingers Label	
9	29175	Grommet	
10	30907	Pressure Bulb	
11	803280	Tubing	
12	39282	Hose Clamp	
13	801291	Outer Tub Assembly	
14	800622P	Tub Shock Absorber Kit	Upper
15	802881P	Base Shock Absorber Kit	Lower; Must replace all 4
16	00161	Grounding Clip	
17	800205	Ballast Weight	
18	802343	Nut	
19	802260	Tub Front Assembly	Models through Serial No. 1001000989
	803494	Tub Front Assembly	Models starting Serial No. 1001000990
20	803558P	Heating Element Kit	
21	803557P	Heating Element Kit	Includes item 22
22	803256	Thermistor	
23	802323P	Heater Harness	Models through Serial No. 1001000989
	803492	Heater Harness	Models starting Serial No. 1001000990
24	800312	Clamp Ring	
25	F430218	Nut	
26	800457	Washer	
27	800462	Screw	
28	800432P	Tub Front Seal	
29	802596	Screw	
30	804174P	Clothes Guard Deflector	
31	803537	Clothes Guard	
32	804560P	Clothes Guard and Deflector Kit	Includes items 7, 18 and 26-31

# Inner Basket, Trunnion, Bearing Housing and Pulley

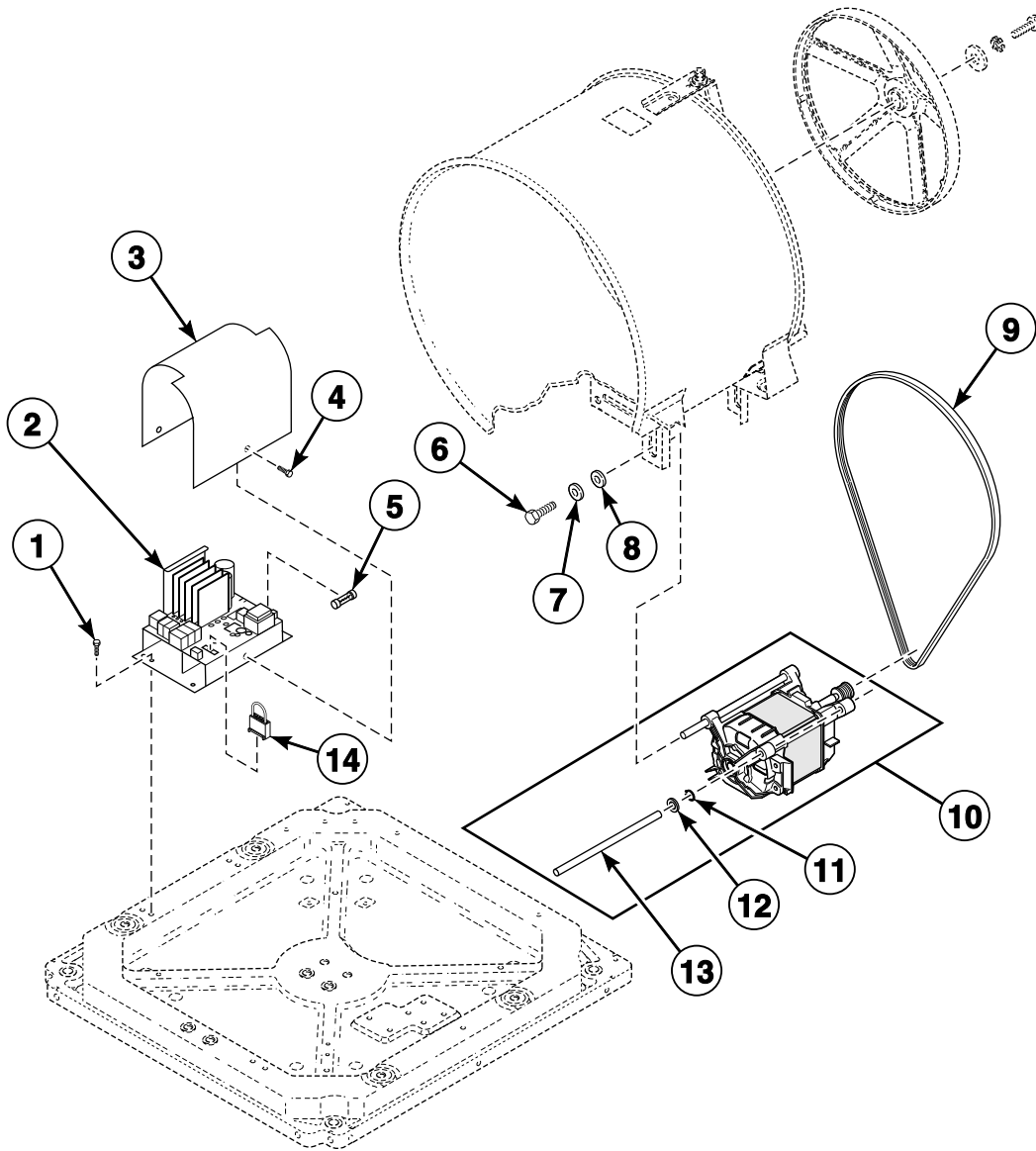


FLW942P\_803401

## Inner Basket, Trunnion, Bearing Housing and Pulley

REF	PART NO.	DESCRIPTION	COMMENTS
	27604P	Anti-Seize Compound	Pulley to inner basket shaft
	838P3	Hardware Kit	Includes (8) of item 6, (7) each of items 8 and 12, (6) of item 10, (1) each of items 7, 9, 13, 14 and 27604P Anti-Seize Compound
	RB160001	Bearing Kit	
<b>1</b>	800666	Tension Rod Assembly	
<b>2</b>	803008P	Inner Basket Assembly	
<b>3</b>	800749P	Trunnion Shaft and Hardware Kit	Includes (3) each of items 1, 5, 6 and 838P3 Hardware Kit; If ordering trunnion shaft separately, inner basket and trunnion shaft must be properly aligned to prevent door seal damage. Refer to instructions included in kit
<b>4</b>	802365P	Inner Basket Assembly	
<b>5</b>	803017	Nut	
<b>6</b>	800457	Washer	
<b>7</b>	F430218	Nut	
<b>8</b>	800552	Hose Mounting Plate	
<b>9</b>	800553	Hose Clip	
<b>10</b>	685847	Pop Rivet	
<b>11</b>	800866	Driven Pulley	
<b>12</b>	685831	Screw	Left hand thread
<b>13</b>	M403958	Washer	
<b>14</b>	800464	Washer	
<b>15</b>	M400043	Screw	
<b>16</b>	800428P	Bearing Housing Kit	Includes 838P3 Hardware Kit
<b>17</b>	800432P	Tub Front Seal	
<b>18</b>	800462	Screw	

# Motor and Belt



FLW1022P\_803401

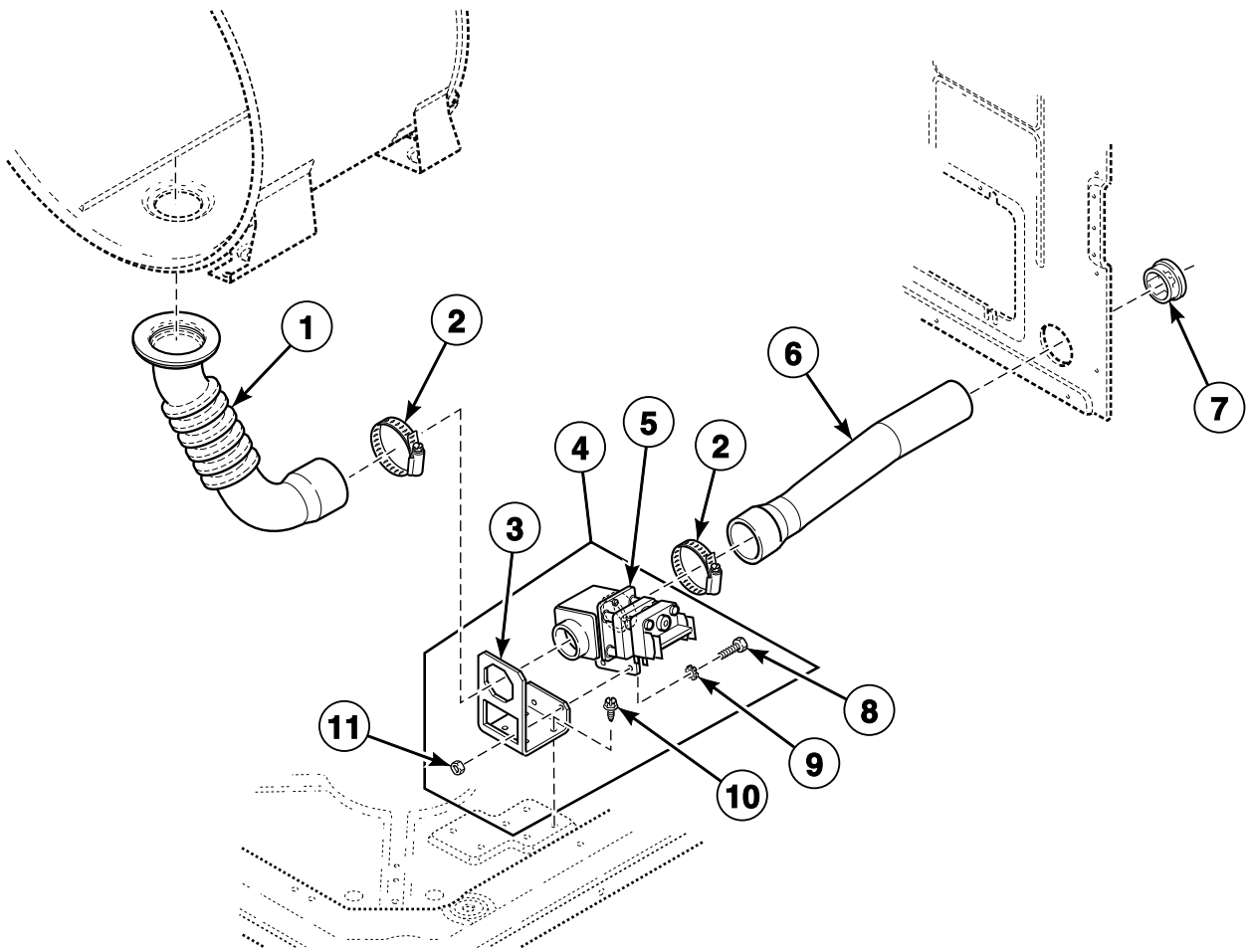


# Motor and Belt

REF	PART NO.	DESCRIPTION	COMMENTS
1	503661	Screw	
2	803255P	Inverter Control Assembly	240 Volt; Models BF3LLFSG401UN01, BF3LLFSG401UW01, BF3LLFSG402UN01, BF3LLFSG402UW01, BF3LLFSP401UN01, BF3LLFSP401UW01, BF3LLFSP402UN01, BF3LLFSP402UW01, BF3LXFSG401UN01, BF3LXFSG401UW01, BF3LXFSG402UN01, BF3LXFSP401UN01, BF3LXFSP401UW01, BF3LXFSP402UN01, BF3LXFSP402UW01, JF3LEFSP411EW01, JF3LGFSP411EW01, JF3LGFSP411EW06, JF3LMFSG411EN01, JF3LMFSG411EN06, JFNLEFSG301EW01, JFNLEFSP301EW01, NF3LLFSG401UN01, NF3LLFSG401UT01, NF3LLFSG401UT06, NF3LLFSG402UN01, NF3LLFSG402UT01, NF3LLFSG402UT06, NF3LLFSP401NN22, NF3LLFSP401NW22, NF3LLFSP401UN01, NF3LLFSP401UT01, NF3LLFSP401UT06, NF3LLFSP401UW01, NF3LLFSP402NN22, NF3LLFSP402NW22, NF3LLFSP402UN01, NF3LLFSP402UT01, NF3LLFSP402UT06, NF3LLFSP402UW01, NF3LXFSG401UN01, NF3LXFSG401UW01, NF3LXFSG402UN01, NF3LXFSG402UW01, NF3LXFSP401UN01, NF3LXFSP401UW01, NF3LXFSP402NW22, NF3LXFSP402UN01, NF3LXFSP402UW01, NF3LXFSP402UW06, NF3LYFSG401UW01, NF3LYFSG402UW01, SFNLXFSP301AN01, SFNLXFSP301AW01, SFNLXFSP302AW01, SFNLXFSP302AN01 and SFNNXRSP542NW23
	803254P	Inverter Control Assembly	120 Volt; All other models
3	801061	Control Shield	
4	501524	Screw	
5	801755	Fuse	10 Amp
6	M400057	Screw	
7	02834	Washer	
8	M400080	Washer	
9	800319P	Drive Belt	
10	801684P	Motor and Rod Assembly Kit	Includes 2 each of items 11-13 and wire ties
11	23748	Retaining Ring	
12	52549	Washer	
13	801062	Motor Mount Rod	
14	513316	Jumper Harness	Use to limit spin RPM on inverter controls starting Serial No. 0911014603; 240 Volt; Models BF3LLFSG401UN01, BF3LLFSG401UW01, BF3LLFSG402UN01, BF3LLFSG402UW01, BF3LLFSP401UN01, BF3LLFSP401UW01, BF3LLFSP402UN01, BF3LLFSP402UW01, BF3LXFSG401UN01, BF3LXFSG401UW01, BF3LXFSG402UN01, BF3LXFSP401UN01, BF3LXFSP401UW01, BF3LXFSP402UN01, BF3LXFSP402UW01, JF3LEFSP411EW01, JF3LGFSP411EW01, JF3LGFSP411EW06, JF3LMFSG411EN01, JF3LMFSG411EN06, JFNLEFSG301EW01, JFNLEFSP301EW01, NF3LLFSG401UN01, NF3LLFSG401UT01, NF3LLFSG401UT06, NF3LLFSG402UN01, NF3LLFSG402UT01, NF3LLFSG402UT06, NF3LLFSP401NN22, NF3LLFSP401NW22, NF3LLFSP401UN01, NF3LLFSP401UT01, NF3LLFSP401UT06, NF3LLFSP401UW01, NF3LLFSP402NN22, NF3LLFSP402NW22, NF3LLFSP402UN01, NF3LLFSP402UT01, NF3LLFSP402UT06, NF3LLFSP402UW01, NF3LXFSG401UN01, NF3LXFSG401UW01, NF3LXFSG402UN01, NF3LXFSG402UW01, NF3LXFSP401UN01, NF3LXFSP401UW01, NF3LXFSP402NW22, NF3LXFSP402UN01, NF3LXFSP402UW01, NF3LXFSP402UW06, NF3LYFSG401UW01, NF3LYFSG402UW01, SFNLXFSP301AN01, SFNLXFSP301AW01, SFNLXFSP302AW01, SFNLXFSP302AN01 and SFNNXRSP542NW23
	513268	Jumper Harness	Use to limit spin RPM on inverter controls starting Serial No. 0911014603; 120 Volt; All other models

# Drain Hoses and Valve

Models BF3LLFSG401UN01, BF3LLFSG401UW01, BF3LLFSG402UN01, BF3LLFSG402UW01, BF3LXFSG401UN01, BF3LXFSG401UW01, BF3LXFSG402UN01, JF3LMFSG411EN01, JF3LMFSG411EN06, JFNLEFSG301EW01, NF3LLFSG401UN01, NF3LLFSG401UT01, NF3LLFSG401UT06, NF3LLFSG402UN01, NF3LLFSG402UT01, NF3LLFSG402UT06, NF3LXFSG401UN01, NF3LXFSG401UW01, NF3LXFSG402UN01, NF3LXFSG402UW01, NF3LYFSG401UW01, NF3LYFSG402UW01, SFNLCFSG111TN01, SFNLCFSG111TQ01, SFNLCFSG111TW01, SFNLCFSG111TWNA, SFNLXFSG111TW01, SFNLYFSG111TN01, SFNLYFSG111TW01, SFNLYFSG111TWNA, SFNNCFSG111TN01, SFNNCFSG112TN01, SFNNCFSG112TQ01, SFNNCFSG112TW01, SFNNXFSG082JW01, SFNNXFSG112TW01, SFNNYFSG112TN01, SFNNYFSG112TW01, SFNWCFSG111TN01, SFNWCFSG112TN01, SFNWCFSG112TN11, SFNWFYFSG111TN01, SFNWFYFSG112TN01 and SFNWFYFSG112TN11



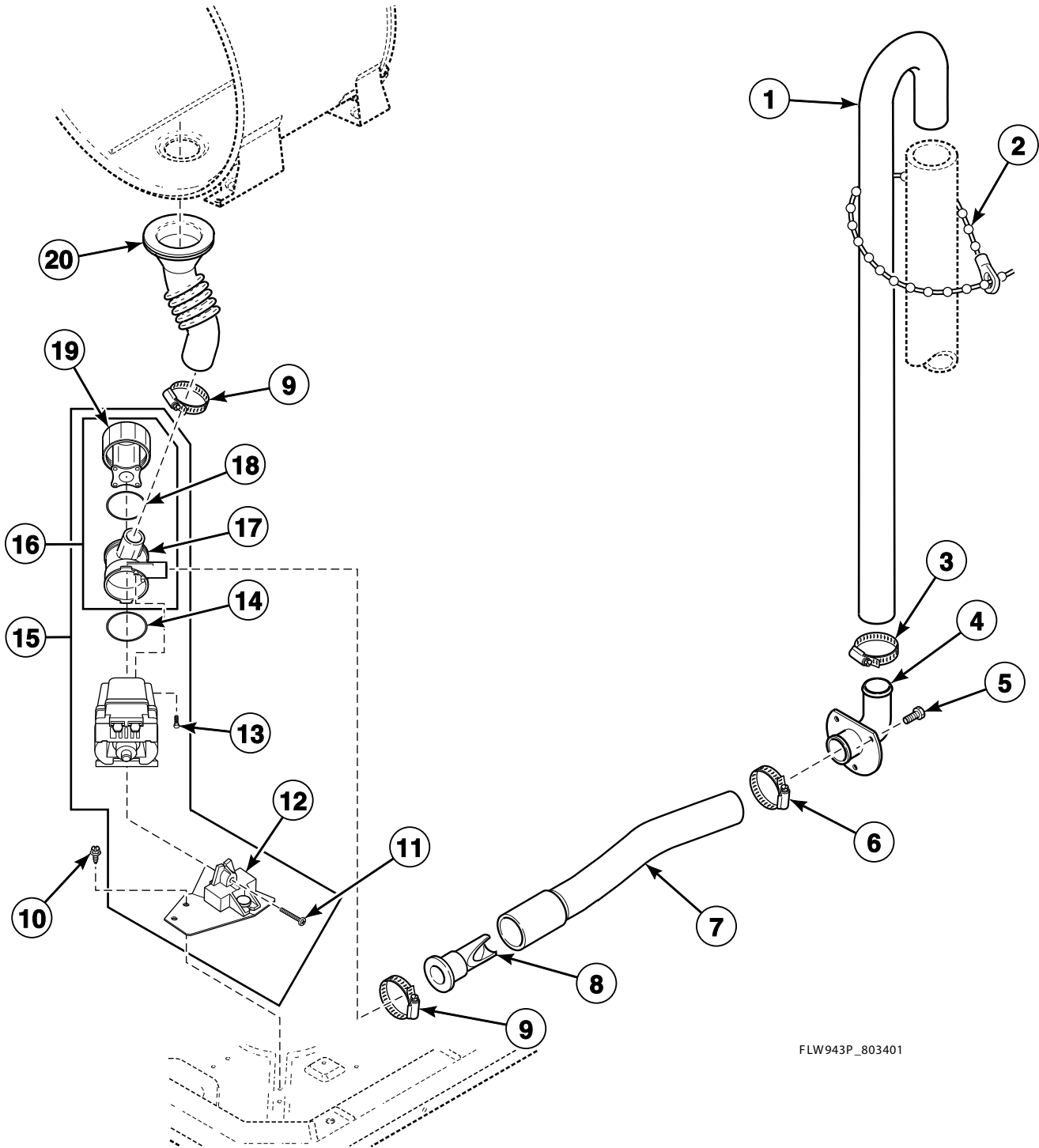
FLW888P\_803401

## Drain Hoses and Valve

REF	PART NO.	DESCRIPTION	COMMENTS
1	800902	Tub-to-Drain Hose	
	27615P	Sealant	Tub-to drain hose to outer tub
2	685725	Hose Clamp	
3	803291	Gravity Drain Bracket	
4	F975P3	Drain Valve Kit	Includes items 3, 5 and 8-11; Models SFNLCFSG111TN01, SFNLCFSG111TQ01, SFNLCFSG111TW01, SFNLCFSG111TWNA, SFNLXFSG111TW01, SFNLYFSG111TN01, SFNLYFSG111TW01, SFNLYFSG111TWNA, SFNNCFSG111TN01, SFNNCFSG112TN01, SFNNCFSG112TQ01, SFNNCFSG112TW01, SFNNXFSG082JW01, SFNNXFSG112TW01, SFNNYFSG112TN01, SFNNYFSG112TW01, SFNWCFSG111TN01, SFNWCFSG112TN01, SFNWCFSG112TN11, SFNWFYFSG111TN01, SFNWFYFSG112TN01 and SFNWFYFSG112TN11
	F976P3	Drain Valve Kit	Includes items 3, 5 and 8-11; All other models
5	803293	Drain Valve	Models SFNLCFSG111TN01, SFNLCFSG111TQ01, SFNLCFSG111TW01, SFNLCFSG111TWNA, SFNLXFSG111TW01, SFNLYFSG111TN01, SFNLYFSG111TW01, SFNLYFSG111TWNA, SFNNCFSG111TN01, SFNNCFSG112TN01, SFNNCFSG112TQ01, SFNNCFSG112TW01, SFNNXFSG082JW01, SFNNXFSG112TW01, SFNNYFSG112TN01, SFNNYFSG112TW01, SFNWCFSG111TN01, SFNWCFSG112TN01, SFNWCFSG112TN11, SFNWFYFSG111TN01, SFNWFYFSG112TN01 and SFNWFYFSG112TN11
	803292	Gravity Drain Valve	All other models
6	800903	Drain-to-Cabinet Hose	
7	503235	Snap Bushing	
8	02916	Screw	
9	M400017	Washer	
10	503661	Screw	
11	29786	Nut	

# Hoses and Pump

All Models Except BF3LLFSG401UN01, BF3LLFSG401UW01, BF3LLFSG402UN01, BF3LLFSG402UW01, BF3LXFSG401UN01, BF3LXFSG401UW01, BF3LXFSG402UN01, JF3LMFSG411EN01, JF3LMFSG411EN06, JFNLEFSG301EW01, NF3LLFSG401UN01, NF3LLFSG401UT01, NF3LLFSG401UT06, NF3LLFSG402UN01, NF3LLFSG402UT01, NF3LLFSG402UT06, NF3LXFSG401UN01, NF3LXFSG401UW01, NF3LXFSG402UN01, NF3LXFSG402UW01, NF3LYFSG401UW01, NF3LYFSG402UW01, SFNLCFSG111TN01, SFNLCFSG111TQ01, SFNLCFSG111TW01, SFNLCFSG111TWNA, SFNLXFSG111TW01, SFNLYFSG111TN01, SFNLYFSG111TW01, SFNLYFSG111TWNA, SFNNCFSG111TN01, SFNNCFSG112TN01, SFNNCFSG112TQ01, SFNNCFSG112TW01, SFNNXFSG082JW01, SFNNXFSG112TW01, SFNNYFSG112TN01, SFNNYFSG112TW01, SFNWCFSG111TN01, SFNWCFSG112TN01, SFNWCFSG112TN11, SFNWFYFSG111TN01, SFNWFYFSG112TN01 and SFNWFYFSG112TN11

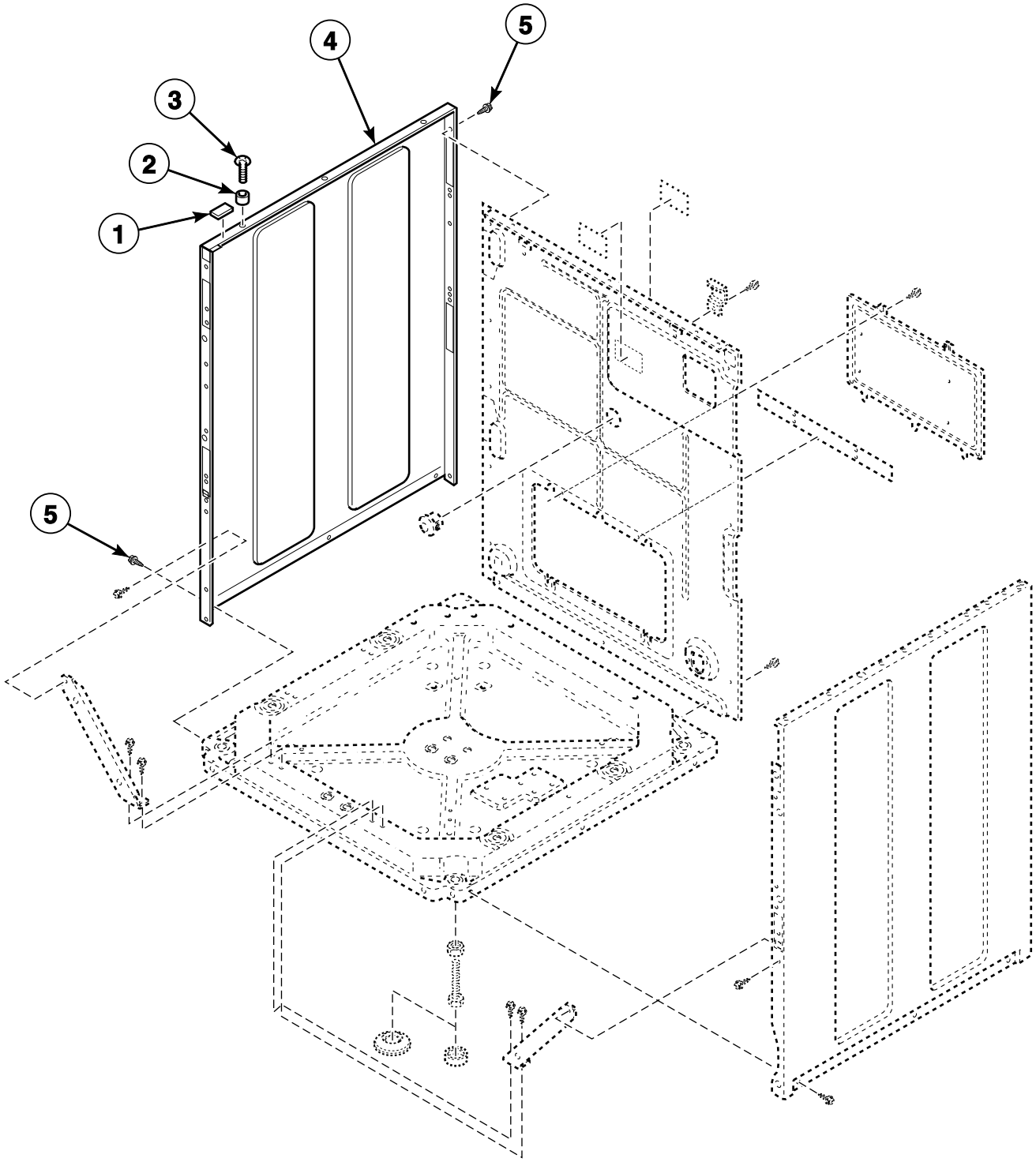


FLW943P\_803401

# Hoses and Pump

REF	PART NO.	DESCRIPTION	COMMENTS
1	27154	Drain Hose	
2	33489	Standpipe Strap	
3	20211	Hose Clamp	
4	35766	Drain Hose Elbow	
5	52909	Screw	
6	20391	Hose Clamp	
7	685737	Pump-to-Elbow Hose	
8	800310	Backflow Preventer	
9	F200204	Hose Clamp	
10	503661	Screw	
11	802430	Screw	
12	802626	Pump Mount Bracket	
13	802431	Screw	
14	802429P	O-Ring	
15	802624P	Drain Pump	Models BF3LLFSP401UN01, BF3LLFSP401UW01, BF3LLFSP402UN01, BF3LLFSP402UW01, BF3LXFSP401UN01, BF3LXFSP401UW01, BF3LXFSP402UN01, BF3LXFSP402UW01, JF3LEFSP411EW01, JF3LGFSP411EW01, JF3LGFSP411EW06, JFNLEFSP301EW01, NF3LLFSP401NN22, NF3LLFSP401NW22, NF3LLFSP401UN01, NF3LLFSP401UT01, NF3LLFSP401UT06, NF3LLFSP401UW01, NF3LLFSP402NN22, NF3LLFSP402NW22, NF3LLFSP402UN01, NF3LLFSP402UT01, NF3LLFSP402UT06, NF3LLFSP402UW01, NF3LXFSP401UN01, NF3LXFSP401UW01, NF3LXFSP402NW22, NF3LXFSP402UN01, NF3LXFSP402UW01, NF3LXFSP402UW06, SFNLXFSP301AN01, SFNLXFSP301AW01, SFNLXFSP302AW01 and SFNLXFSP302AN01
	802625P	Drain Pump	Model SFNNXRSP542NW23
	802623P	Drain Pump	All other models
16	802434P	Pump Housing Assembly	Includes items 17-19
17	802428	Pump Housing	
18	802427	Gasket	
19	802426P	Lid Assembly	Includes filter
20	800317	Tub-to-Pump Hose	
	27615P	Sealant	Tub-to-pump hose to outer tub
	985P3	Drain Kit	Includes 803344 Tub-to-Pump Hose with Trap, 90554 Hose Clamp, 803400 Cap and 27615P Sealant

# Side Panels (Drawing 1 of 2)

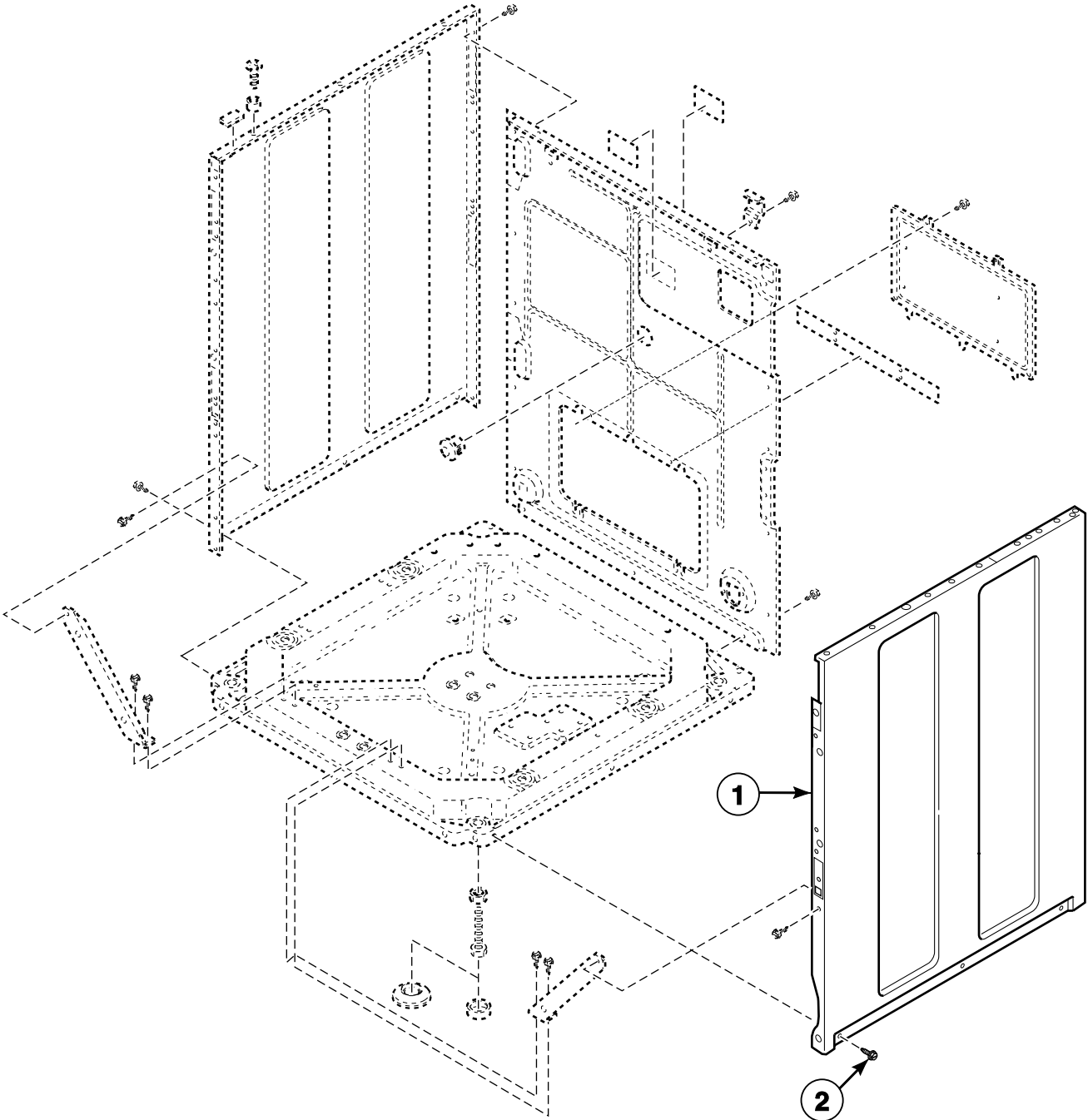


FLW969PB\_803401

## Side Panels (Drawing 1 of 2)

REF	PART NO.	DESCRIPTION	COMMENTS
	122P4P	Porcelain Touch-Up Paint	White
	370P4P	Porcelain Touch-Up Paint	Bisque
1	36226	Bumper Pad	
2	56079	Panel Locator	
3	512921	Screw	Use with stainless steel panels
	39733	Screw	Use with painted panels
4	800004QP	Cabinet Panel Kit	Left; Includes corner gusset with hardware; Models SFNLCFSG111TQ01, SFNLCFSP111TQ01, SFNNCFSG112TQ01 and SFNNCFSP112TQ01
	802525P	Cabinet Side Panel	Left; Stainless steel; Models BF3LLFSG401UN01, BF3LLFSG402UN01, BF3LLFSP401UN01, BF3LLFSP402UN01, BF3LXFSG401UN01, BF3LXFSG402UN01, BF3LXFSP401UN01, BF3LXFSP402UN01, HFNLXFSP111CN01, HFNNXFSP112CN01, JF3LMFSG411EN01, JF3LMFSG411EN06, NF3LLFSP401NW22, NF3LLFSP401UN01, NF3LLFSP402NN22, NF3LLFSP402UN01, NF3LXFSG401UN01, NF3LXFSG402UN01, NF3LXFSP401UN01, NF3LXFSP402UN01, SFNLCFSG111TN01, SFNLCFSP111TN01, SFNLXFSP111TN01, SFNLYFSG111TN01, SFNLYFSP111TN01, SFNNCFSG111TN01, SFNNCFSG112TN01, SFNNCFSP111TN01, SFNNCFSP112TN01, SFNNXFSP112TN01, SFNNYFSG112TN01, SFNNYFSP112TN01, SFNWCFSG111TN01, SFNWCFSG112TN01, SFNWCFSG112TN11, SFNWCFSF111TN01, SFNWCFSF112TN01, SFNWFYFSG111TN01, SFNWFYFSG112TN01, SFNWFYFSG112TN11, SFNWFYFSP111TN01, SFNWFYFSP112TN01 and SFNWFYFSP112TN11
	800004G	Side Panel	Left; Gray; Models BF3LLFSG401UN01, BF3LLFSG402UN01, BF3LLFSP401UN01, BF3LLFSP402UN01, BF3LXFSG401UN01, BF3LXFSG402UN01, BF3LXFSP401UN01, BF3LXFSP402UN01, HFNLXFSP111CN01, HFNNXFSP112CN01, JF3LMFSG411EN01, JF3LMFSG411EN06, NF3LLFSG401UN01, NF3LLFSG402UN01, NF3LLFSP401NN22, NF3LLFSP401UN01, NF3LLFSP402NN22, NF3LLFSP402UN01, NF3LXFSG401UN01, NF3LXFSG402UN01, NF3LXFSP401UN01, NF3LXFSP402UN01, SFNLCFSG111TN01, SFNLCFSP111TN01, SFNLXFSP111TN01, SFNLXFSP301AN01, SFNLXFSP302AN01, SFNLYFSG111TN01, SFNLYFSP111TN01, SFNNCFSG111TN01, SFNNCFSG112TN01, SFNNCFSP111TN01, SFNNCFSP112TN01, SFNNXFSP112TN01, SFNNYFSG112TN01, SFNNYFSP112TN01, SFNWCFSG111TN01, SFNWCFSG112TN01, SFNWCFSG112TN11, SFNWCFSF111TN01, SFNWCFSF112TN01, SFNWFYFSG111TN01, SFNWFYFSG112TN01, SFNWFYFSG112TN11, SFNWFYFSP111TN01, SFNWFYFSP112TN01 and SFNWFYFSP112TN11
	800004WP	Cabinet Panel Kit	Left; Includes corner gusset with hardware; All other models
5	503661	Screw	

# Side Panels (Drawing 2 of 2)



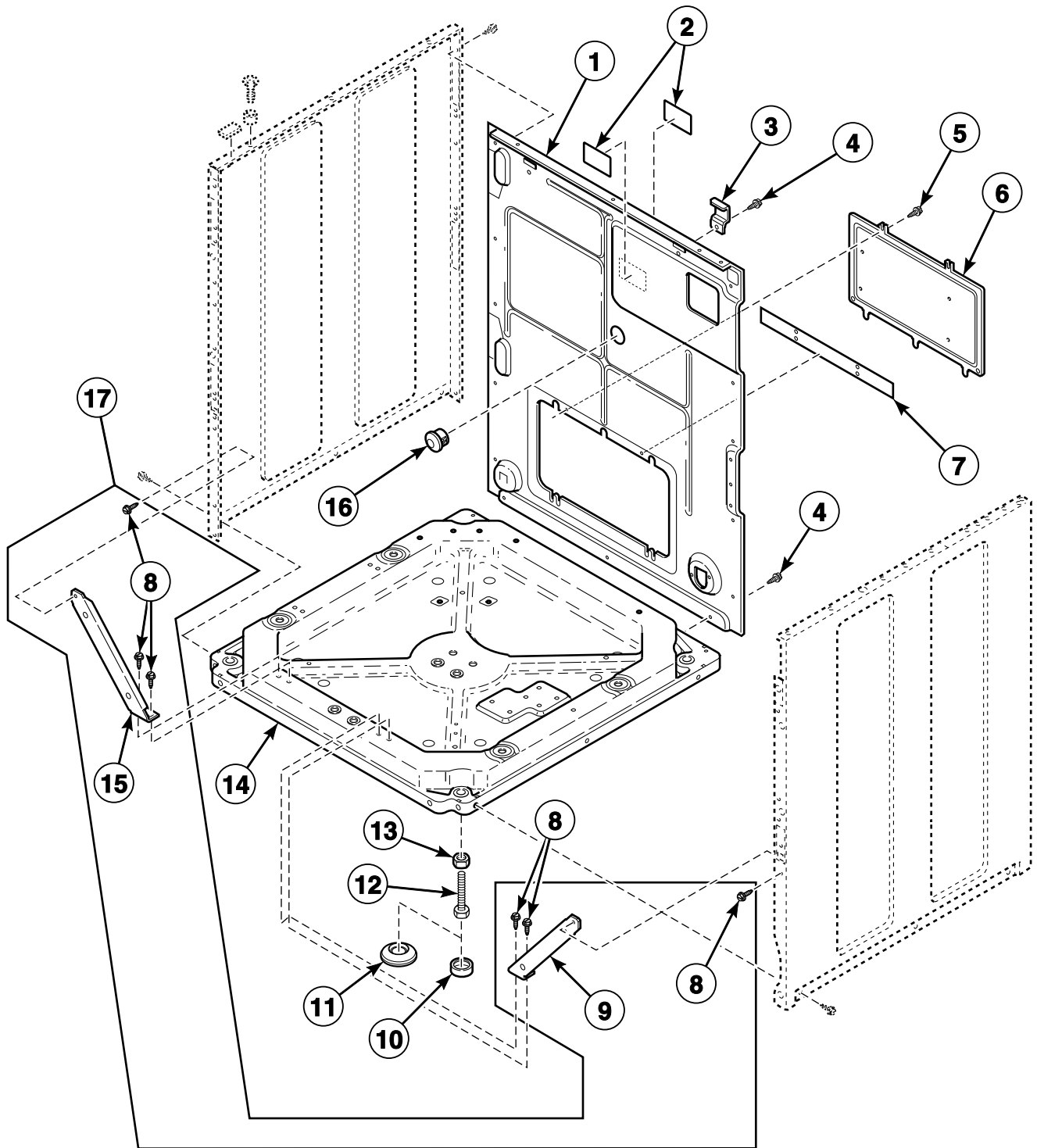
FLW969PC\_803401



## Side Panels (Drawing 2 of 2)

REF	PART NO.	DESCRIPTION	COMMENTS
	122P4P	Porcelain Touch-Up Paint	White
	370P4P	Porcelain Touch-Up Paint	Bisque
<b>1</b>	800005QP	Side Panel Kit	Right; Includes 801024 Dispenser Plate with hardware and 547P3 Coin Cabinet Hardware Kit; Models SFNLCFSG111TQ01, SFNLCFSP111TQ01, SFNNCFSG112TQ01 and SFNNCFSP112TQ01
	802526P	Cabinet Side Panel	Right; Stainless steel; Models BF3LLFSG401UN01, BF3LLFSG402UN01, BF3LLFSP401UN01, BF3LLFSP402UN01, BF3LXFSG401UN01, BF3LXFSG402UN01, BF3LXFSP401UN01, BF3LXFSP402UN01, HFNLXFSP111CN01, HFNNXFSP112CN01, JF3LMFSG411EN01, JF3LMFSG411EN06, NF3LLFSP401NN22, NF3LLFSP401UN01, NF3LLFSP402NN22, NF3LLFSP402UN01, NF3LXFSG401UN01, NF3LXFSG402UN01, NF3LXFSP401UN01, NF3LXFSP402UN01, SFNLCFSG111TN01, SFNLCFSP111TN01, SFNLXFSP111TN01, SFNLYFSG111TN01, SFNLYFSP111TN01, SFNNCFSG111TN01, SFNNCFSG112TN01, SFNNCFSP111TN01, SFNNCFSP112TN01, SFNNXFSP112TN01, SFNNYFSG112TN01, SFNNYFSP112TN01, SFNWCFSG111TN01, SFNWCFSG112TN01, SFNWCFSP112TN01, SFNWCFSP112TN11, SFNWCFSP111TN01, SFNWCFSP112TN01, SFNWCFSP112TN11, SFNWYFSG111TN01, SFNWYFSG112TN01, SFNWYFSG112TN11, SFNWYFSP111TN01, SFNWYFSP112TN01 and SFNWYFSP112TN11
	800005G	Side Panel	Right; Gray; Models BF3LLFSG401UN01, BF3LLFSG402UN01, BF3LLFSP401UN01, BF3LLFSP402UN01, BF3LXFSG401UN01, BF3LXFSG402UN01, BF3LXFSP401UN01, BF3LXFSP402UN01, HFNLXFSP111CN01, HFNNXFSP112CN01, JF3LMFSG411EN01, JF3LMFSG411EN06, NF3LLFSP401NN22, NF3LLFSP401UN01, NF3LLFSP402NN22, NF3LLFSP402UN01, NF3LXFSG401UN01, NF3LXFSG402UN01, NF3LXFSP401UN01, NF3LXFSP402UN01, SFNLCFSG111TN01, SFNLCFSP111TN01, SFNLXFSP111TN01, SFNLXFSP301AN01, SFNLXFSP302AN01, SFNLYFSG111TN01, SFNLYFSP111TN01, SFNNCFSG111TN01, SFNNCFSG112TN01, SFNNCFSP111TN01, SFNNCFSP112TN01, SFNNXFSP112TN01, SFNNYFSG112TN01, SFNNYFSP112TN01, SFNWCFSG111TN01, SFNWCFSG112TN01, SFNWCFSG112TN11, SFNWCFSP111TN01, SFNWCFSP112TN01, SFNWCFSP112TN11, SFNWYFSG111TN01, SFNWYFSG112TN01, SFNWYFSG112TN11, SFNWYFSP111TN01, SFNWYFSP112TN01 and SFNWYFSP112TN11
	800005WP	Side Panel Kit	Right; Includes 801024 Dispenser Plate with hardware and 547P3 Coin Cabinet Hardware Kit; All other models
<b>2</b>	503661	Screw	

# Base and Rear Panel



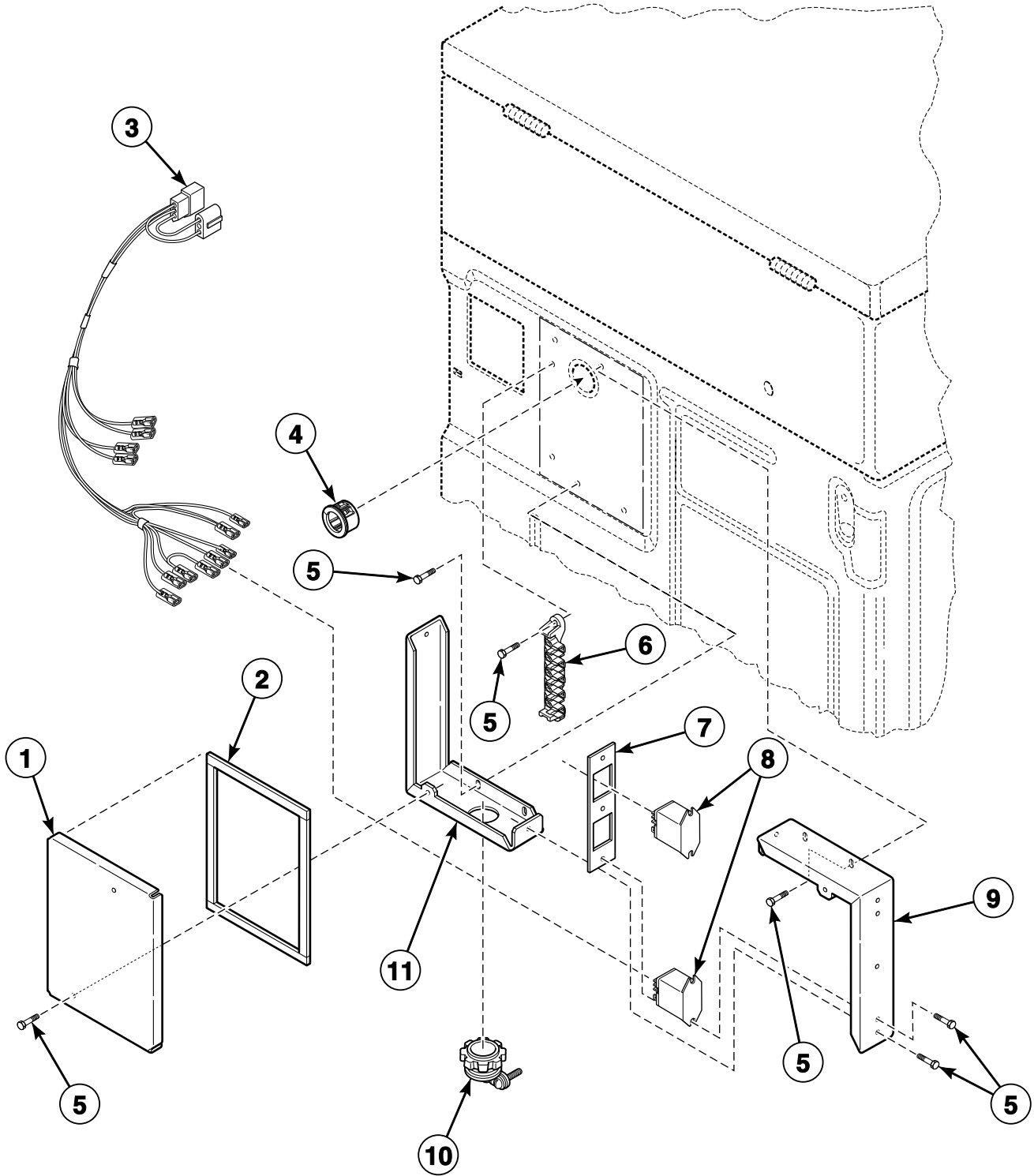
FLW969PA\_803401

## Base and Rear Panel

REF	PART NO.	DESCRIPTION	COMMENTS
1	801216	Rear Panel	Models BF3LLFSG401UN01, BF3LLFSG401UW01, BF3LLFSG402UN01, BF3LLFSG402UW01, BF3LXFSG401UN01, BF3LXFSG401UW01, BF3LXFSG402UN01, JF3LMFSG411EN01, JF3LMFSG411EN06, JFNLEFSG301EW01, NF3LLFSG401UN01, NF3LLFSG401UT01, NF3LLFSG401UT06, NF3LLFSG402UN01, NF3LLFSG402UT01, NF3LLFSG402UT06, NF3LXFSG401UN01, NF3LXFSG401UW01, NF3LXFSG402UN01, NF3LXFSG402UW01, NF3LYFSG401UW01, NF3LYFSG402UW01, SFNLCFSG111TN01, SFNLCFSG111TQ01, SFNLCFSG111TW01, SFNLCFSG111TWNA, SFNLXFSG111TW01, SFNLYFSG111TN01, SFNLYFSG111TW01, SFNLYFSG111TWNA, SFNNCFSG111TN01, SFNNCFSG112TN01, SFNNCFSG112TQ01, SFNNCFSG112TW01, SFNNXFSG112TW01, SFNNYFSG112TN01, SFNNYFSG112TW01, SFNWCFSG111TN01, SFNWCFSG112TN01, SFNWCFSG112TN11, SFNWCFSG111TN01, SFNWCFSG112TN01, SFNWCFSG112TN11 and SFNWFSP112TN11
	801629	Rear Panel	Models SFNLCFJP111TW01, SFNLYFJP111TW01, SFNNCFJP112TW01 and SFNNYFJP112TW01
	800010P	Rear Panel	All other models
2	685928	Screw Label	Left hand thread
3	510136	Top Hinge	Rear control models
4	503661	Screw	
5	430497	Screw	
6	800011	Rear Access Panel	
7	801702	Motor Access Hole Edging	
8	31645	Screw	
9	801492	Cabinet Brace	Right
10	34318	Rubber Foot	
11	155P3	Anchor	Includes 4 rubber discs with adhesive backing
	802844P	Anchor Floor Mount Assembly	Includes 2 rubber discs with adhesive backing
12	34319	Leveling Leg	
13	21899	Nut	
14	802245	Base Assembly	
15	801491	Cabinet Brace	Left
16	M412154	Hole Plug	
17	918P3	Brace Kit	Includes items 8, 9 and 15

# Junction Box

Models SFNLCFJP111TW01, SFNLYFJP111TW01, SFNNCFJP112TW01 and SFNNYFJP112TW01



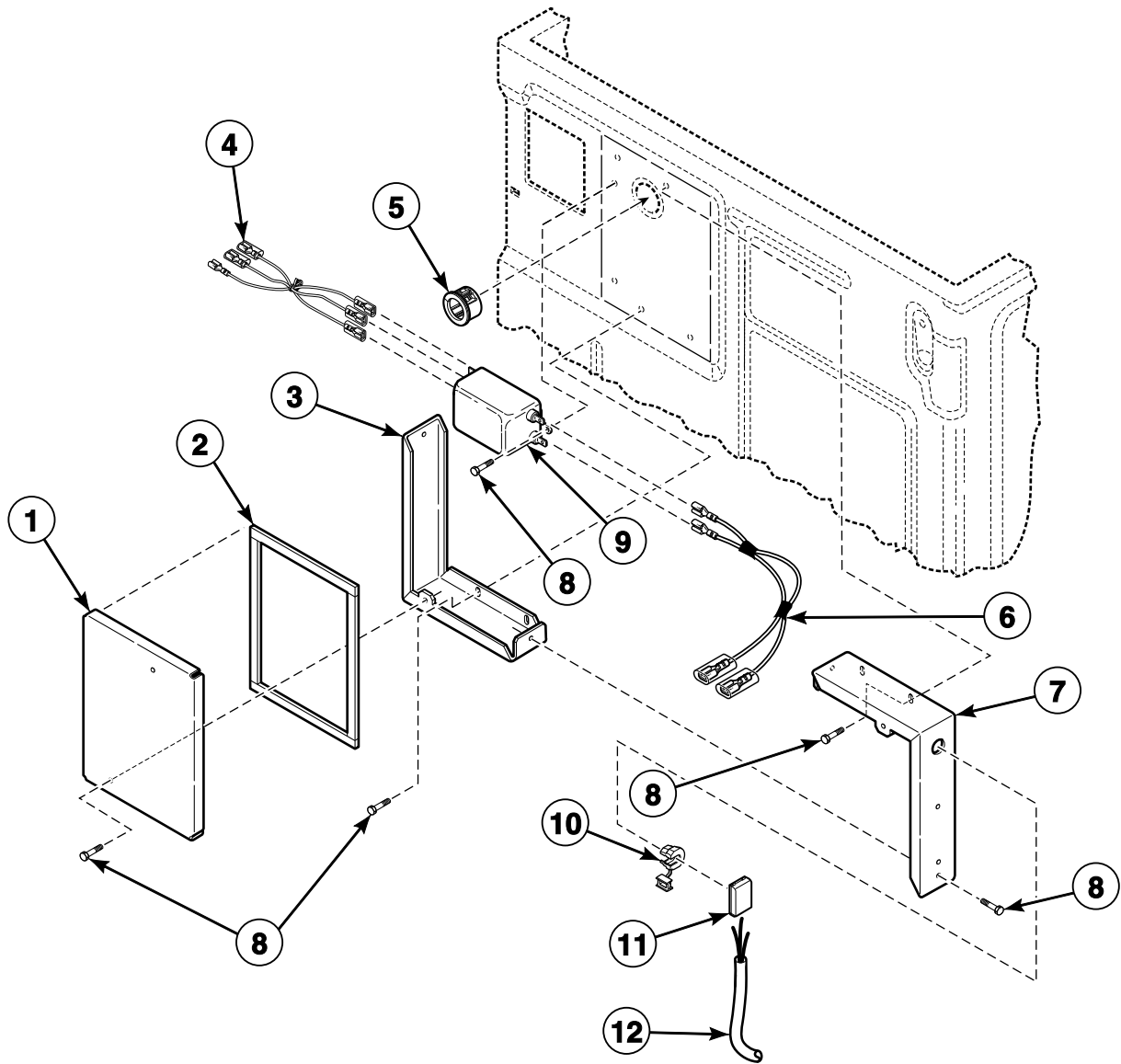
FLW903P\_803401

# Junction Box

REF	PART NO.	DESCRIPTION	COMMENTS
1	801498	Junction Box Cover	
2	801425P	Junction Box Seal	4 required
3	801518	Supply Injection Wire Harness Assembly	
4	M402542	Snap Bushing	
5	503661	Screw	
6	505876	Terminal Block Assembly	
7	801501	Relay Mounting Bracket	
8	431349	Relay	
9	801497	Upper Junction Box	
10	F140312	Connector	
11	801499	Lower Junction Box	

# Junction Box and Power Cord

Models SFNLXFSP301AN01, SFNLXFSP301AW01, SFNLXFSP302AW01, SFNLXFSP302AN01,  
SFNNXFSG082JW01 and SFNNXRSP542NW23

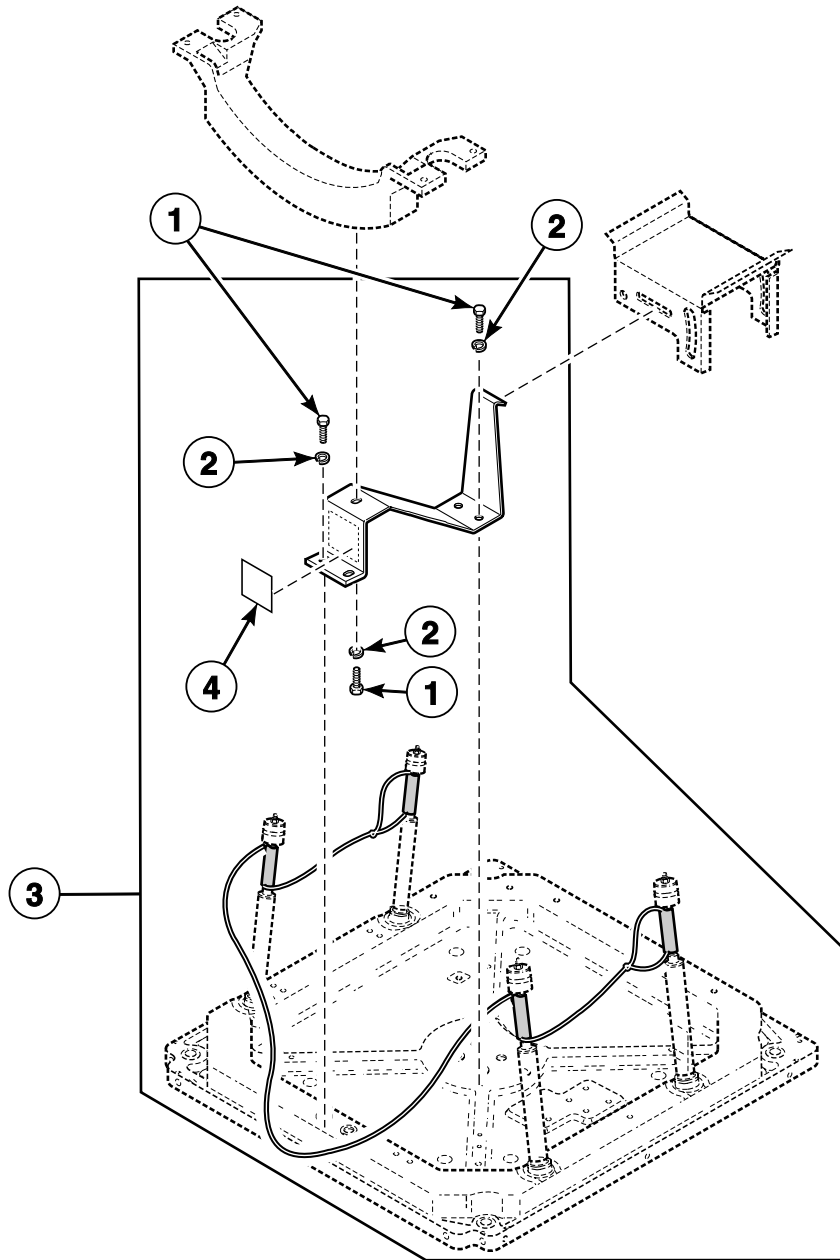


FLW1693P\_803401

## Junction Box and Power Cord

REF	PART NO.	DESCRIPTION	COMMENTS
1	801404	Junction Box Cover	
2	801425P	Junction Box Seal	4 required
3	801433	Lower Junction Box	
4	801420	Wire Harness Assembly	Line filter to power cord terminal block; All models except SFNNXFSG082JW01
5	M402542	Snap Bushing	
6	802013	Wire Harness Assembly	Line filter to control harness; Model SFNNXFSG082JW01
	801421	Wire Harness Assembly	Line filter to control harness; All other models
7	804360	Junction Box	Upper; Model SFNNXFSG082JW01
	801403	Junction Box	Upper; All other models
8	503661	Screw	
9	201058	Line Filter	
10	60298	Strain Relief	Model SFNNXFSG082JW01
11	39922	Cable Connection Box	All models except SFNNXFSG082JW01
12	39931	Power Cord Assembly	Models SFNLXFSP301AN01, SFNLXFSP301AW01, SFNLXFSP302AW01 and SFNLXFSP302AN01
	801660	Power Cord Assembly	Model SFNNXRSP542NW23
	202624	Power Cord Assembly	Model SFNNXFSG082JW01

# Shipping Materials



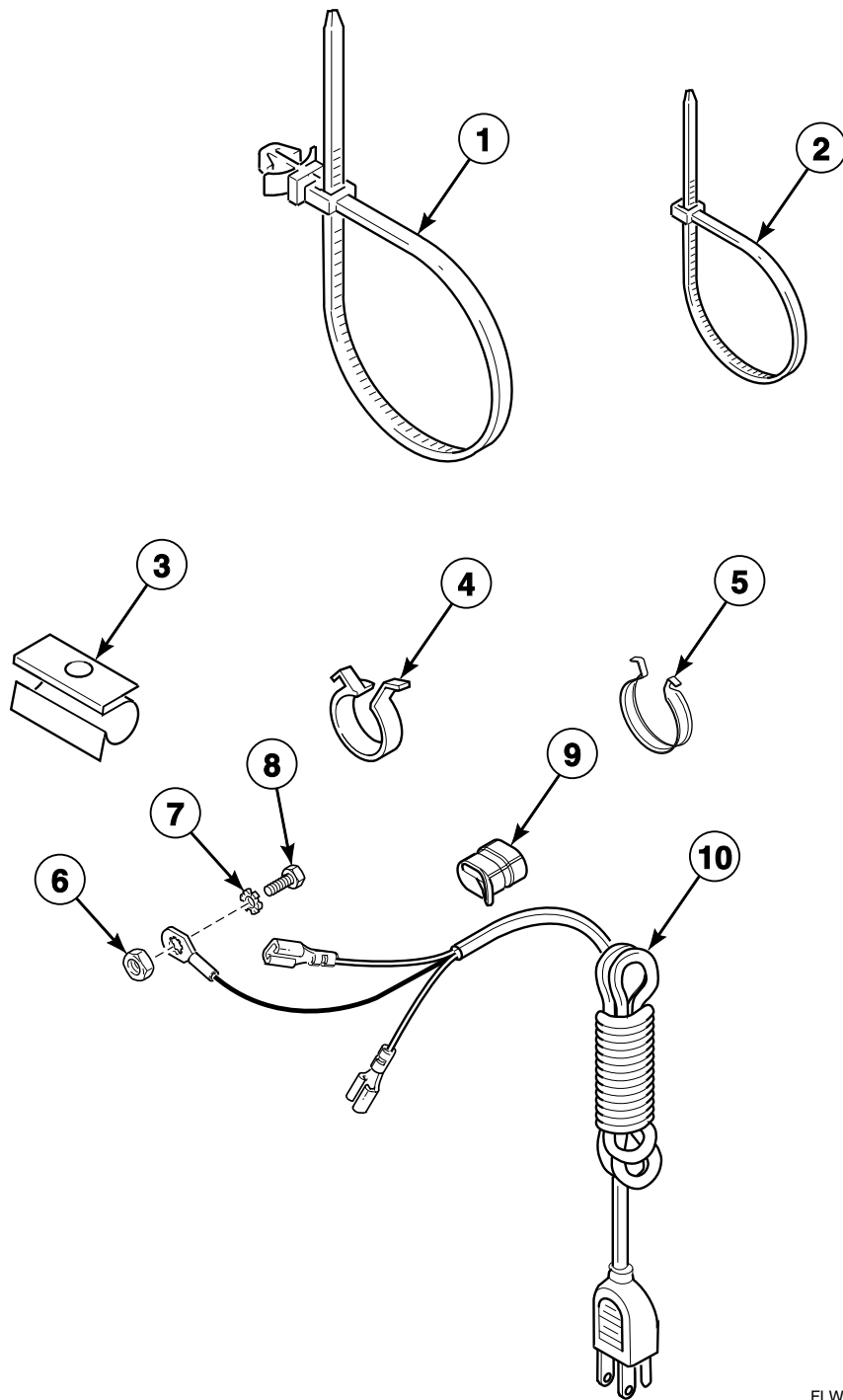
FLW1030P\_803401



# Shipping Materials

REF	PART NO.	DESCRIPTION	COMMENTS
1	M400043	Screw	
2	M400014	Washer	
3	930P3	Shipping Materials Kit	Includes items 1, 2, 4, shipping bracket, shipping cord and brace assembly
4	686901	Shipping Bracket Label	

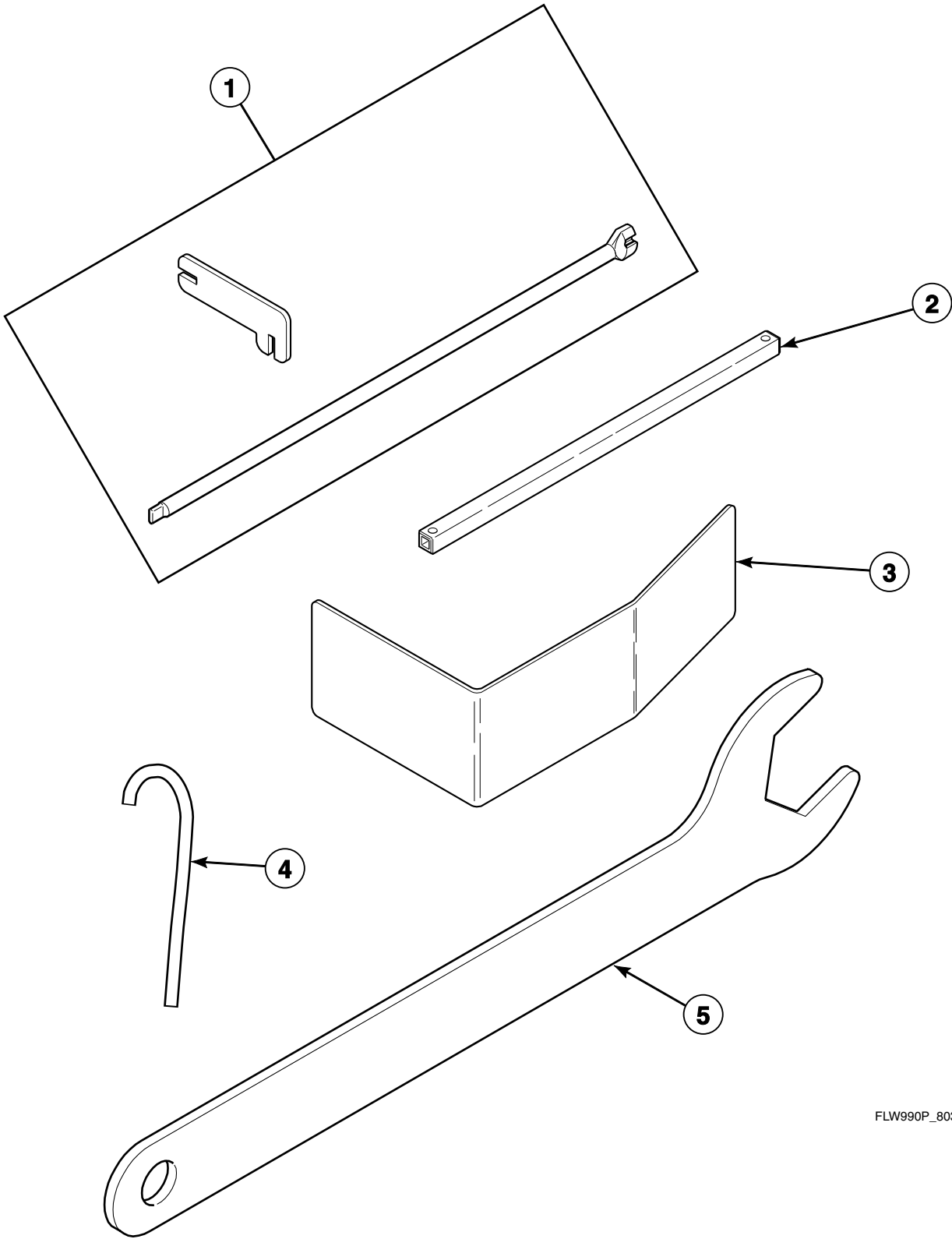
# Wire Ties, Harness Clips and Lead-In Cord



FLW823P\_803401



# Special Tools

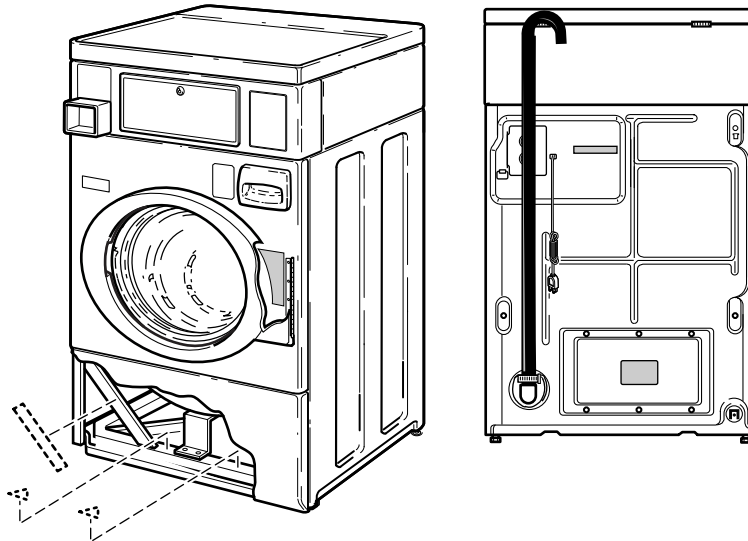


FLW990P\_803401

## Special Tools

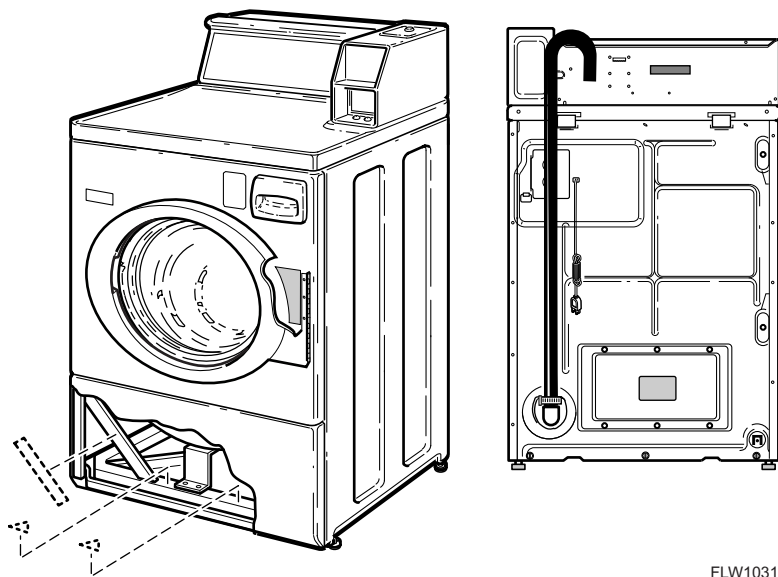
REF	PART NO.	DESCRIPTION	COMMENTS
1	CK096	Mounting Tool Kit	Use to install and remove electronic coin drop kits
2	310P4	Ratchet Extension Tool	1/4 inch; Use to install and remove non-electronic coin drops
3	318P4	Dispenser Drawer Tool	Use to remove dispenser drawer
4	802336	Pulley Bolt Tightening Fixture	Use to install inner basket
5	392P4	Wrench	Use for leveling leg locknuts

# Option Labels



**Front Control Washers**

---



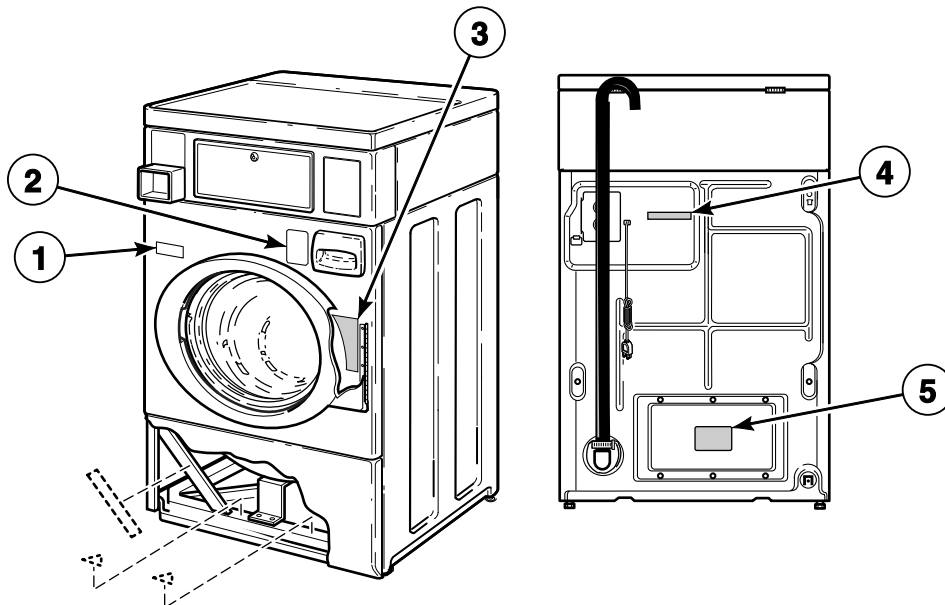
FLW1031PB\_803401

**Rear Control Washers**

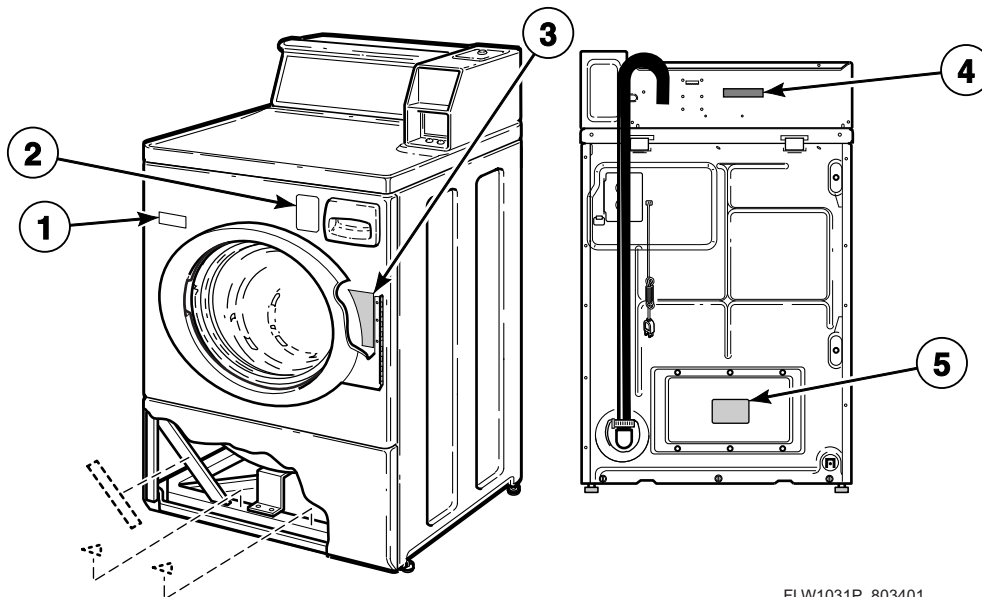
## Option Labels

REF	PART NO.	DESCRIPTION	COMMENTS
803608	Option Label	Option Label	Models SFNLCFJP111TW01, SFNLCFSG111TN01, SFNLCFSG111TQ01, SFNLCFSG111TW01, SFNLCFSG111TWNA, SFNLCFSP111TN01, SFNLCFSP111TQ01, SFNLCFSP111TW01, SFNLCFSP111TWNA, SFNLCRSP111TW01, SFNLCRSP111TW02, SFNLCRSP111TWAF, SFNLCRSP111TWNA, SFNLXFSG111TW01, SFNLXFSP111TN01, SFNLXFSP111TW01, SFNLXFSP301AN01, SFNLXFSP302AN01, SFNLXRSP111TW02, SFNLYFJP111TW01, SFNLYFSG111TN01, SFNLYFSG111TW01, SFNLYFSG111TWNA, SFNLYFSP111TN01, SFNLYFSP111TW01, SFNLYFSP111TWNA, SFNLYRSP111TW01, SFNLYRSP111TWNA, SFNNCFJP112TW01, SFNNCFSG111TN01, SFNNCFSG112TN01, SFNNCFSG112TQ01, SFNNCFSG112TW01, SFNNCFSP111TN01, SFNNCFSP111TW01, SFNNCFSP112TN01, SFNNCFSP112TQ01, SFNNCFSP112TW01, SFNNCRSP111TW01, SFNNCRSP111TW02, SFNNCRSP112TW01, SFNNCRSP112TW02, SFNNXFSG082JW01, SFNNXFSG112TW01, SFNNXFSP112TN01, SFNNXFSP112TW01, SFNNXRSP111TW02, SFNNXRSP112TW02, SFNNXRSP542NW23, SFNNYFJP112TW01, SFNNYFSG112TN01, SFNNYFSG112TW01, SFNNYFSP112TN01, SFNNYFSP112TW01, SFNNYRSP111TW01, SFNNYRSP112TW01, SFNWCFSG111TN01, SFNWCFSG112TN01, SFNWCFSG112TN11, SFNWCFSP111TN01, SFNWCFSP112TN01, SFNWCFSP112TN11, SFNWFYFSG111TN01, SFNWFYFSG112TN01, SFNWFYFSG112TN11, SFNWFYFSP111TN01, SFNWFYFSP112TN01 and SFNWFYFSP112TN11
803609	Option Label	Option Label	Models HFNLEFSP111CW01, HFNLEFSP111CWNA, HFNLERSP111CW01, HFNLERSP111CWNA, HFNLXFSP111CN01, HFNLXFSP111CW01, HFNLXRSP111CW01, HFNLYFSP111CW01, HFNLYFSP111CWNA, HFNLYRSP111CW01, HFNLYRSP111CWNA, HFNNEFSP112CW01, HFNNERSP112CW01, HFNNXFSP112CN01, HFNNXFSP111CW01, HFNNXFSP112CW01, HFNNXRSP111CW01, HFNNXRSP112CW01, HFNNYFSP112CW01 and HFNNYRSP112CW01

# Labels (Drawing 1 of 3)



Front Control Washers



FLW1031P\_803401

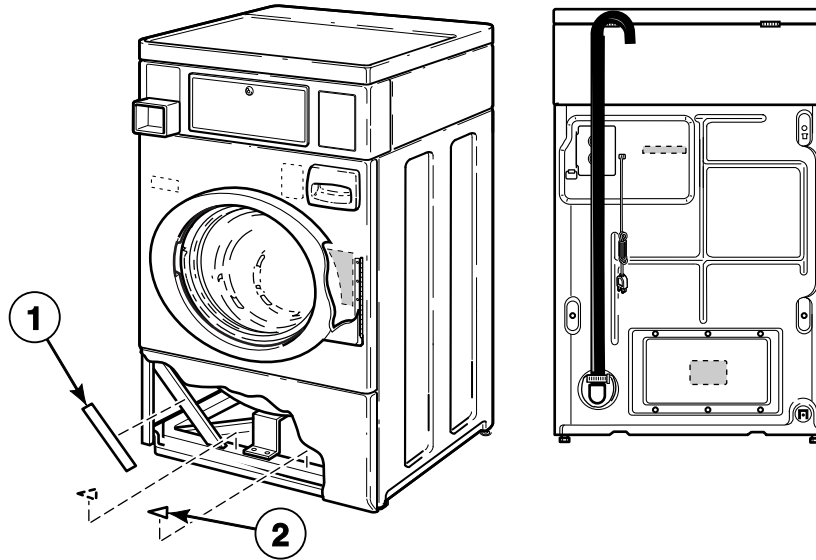
Rear Control Washers



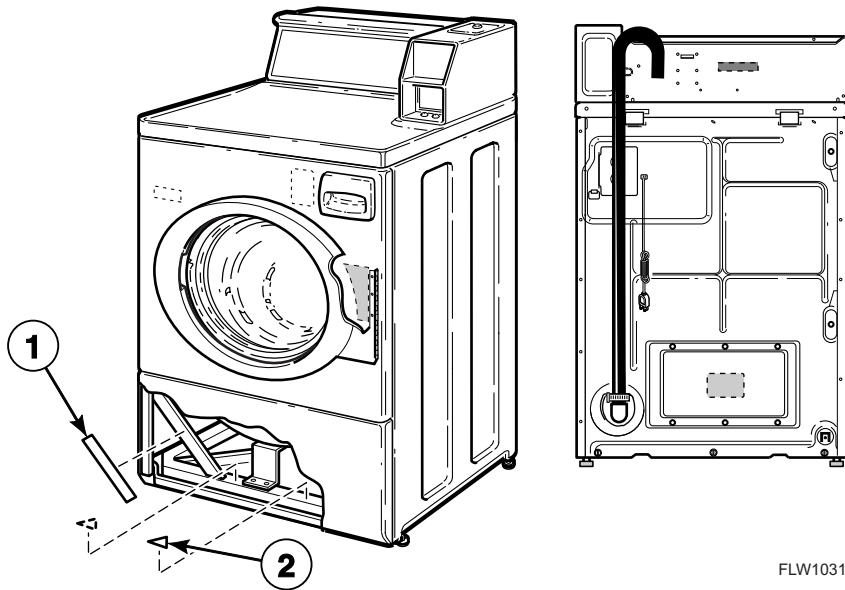
## Labels (Drawing 1 of 3)

REF	PART NO.	DESCRIPTION	COMMENTS
1	803011	Notice Label	Models HFNLEFSP111CW01, HFNLEFSP111CWNA, HFNLERSP111CW01, HFNLERSP111CWNA, HFNLXFSP111CN01, HFNLXFSP111CW01, HFNLXRSP111CW01, HFNLYFSP111CW01, HFNLYFSP111CWNA, HFNLYRSP111CW01, HFNLYRSP111CWNA, HFNNEFSP112CW01, HFNNERSP112CW01, HFNNXFSP112CN01, HFNNXFSP111CW01, HFNNXFSP112CW01, HFNNXRSP111CW01, HFNNXRSP112CW01, HFNNYFSP112CW01, HFNNYRSP112CW01, RFNLYFSP111CW01, SFNLCFJP111TW01, SFNLCFSG111TN01, SFNLCFSG111TQ01, SFNLCFSG111TW01, SFNLCFSG111TWNA, SFNLCFSP111TN01, SFNLCFSP111TQ01, SFNLCFSP111TW01, SFNLCFSP111TWNA, SFNLCRSP111TW01, SFNLCRSP111TW02, SFNLCRSP111TWAF, SFNLCRSP111TWNA, SFNLXFSG111TW01, SFNLXFSP111TN01, SFNLXFSP111TW01, SFNLXFSP301AN01, SFNLXFSP301AW01, SFNLXFSP302AW01, SFNLXFSP302AN01, SFNLXRSP111TW02, SFNLYFJP111TW01, SFNLYFSG111TN01, SFNLYFSG111TW01, SFNLYFSG111TWNA, SFNLYFSP111TN01, SFNLYFSP111TW01, SFNLYFSP111TWNA, SFNLYRSP111TW01, SFNLYRSP111TWNA, SFNNCFJP112TW01, SFNNCFSG111TN01, SFNNCFSG112TN01, SFNNCFSG112TQ01, SFNNCFSG112TW01, SFNNCFSP111TN01, SFNNCFSP111TW01, SFNNCFSP112TN01, SFNNCFSP112TQ01, SFNNCFSP112TW01, SFNNCRSP111TW01, SFNNCRSP111TW02, SFNNCRSP112TW01, SFNNCRSP112TW02, SFNNXFSG082JW01, SFNNXFSG112TW01, SFNNXFSP112TN01, SFNNXFSP112TW01, SFNNXRSP111TW02, SFNNXRSP112TW02, SFNNXRSP542NW23, SFNNYFJP112TW01, SFNNYFSG112TN01, SFNNYFSG112TW01, SFNNYFSP112TN01, SFNNYFSP112TW01, SFNNYRSP111TW01, SFNNYRSP112TW01, SFNWCFSG111TN01, SFNWCFSG112TN01, SFNWCFSG112TN11, SFNWCFSP111TN01, SFNWCFSP112TN01, SFNWCFSP112TN11, SFNWFYFSG111TN01, SFNWFYFSG112TN01, SFNWFYFSG112TN11, SFNWFYFSP111TN01, SFNWFYFSP112TN01 and SFNWFYFSP112TN11
2	802074	Oversudsing Label	English
	802838	Oversudsing Label	Spanish
	802839	Oversudsing Label	Quebec French
3	802367	Door Locked Warning Label	
4	505281	Disconnect Power Warning Label	English
	502511	Electrical Shock Label	Icon
5	500049	Warning Label	English
	500314	Warning Label	Quebec French
	502511	Electrical Shock Label	Icon

# Labels (Drawing 2 of 3)



Front Control Washers



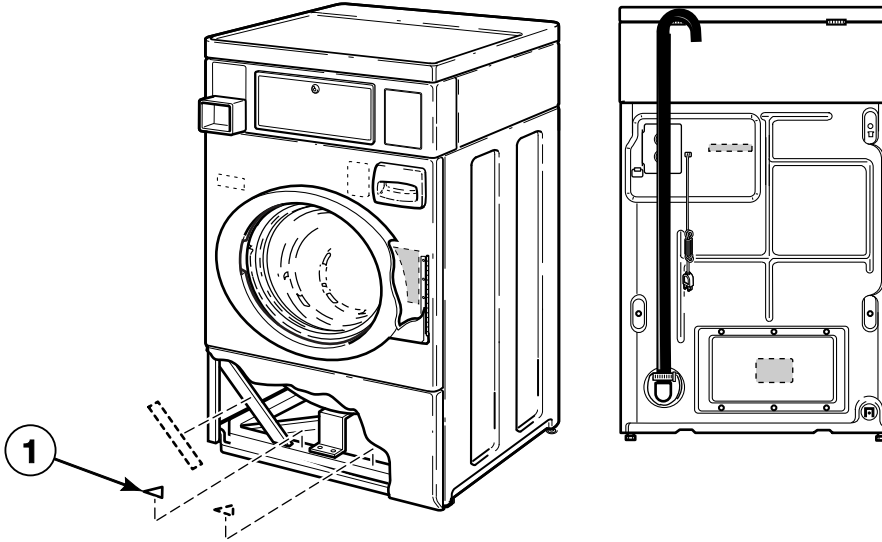
FLW1031PA\_803401

Rear Control Washers

## Labels (Drawing 2 of 3)

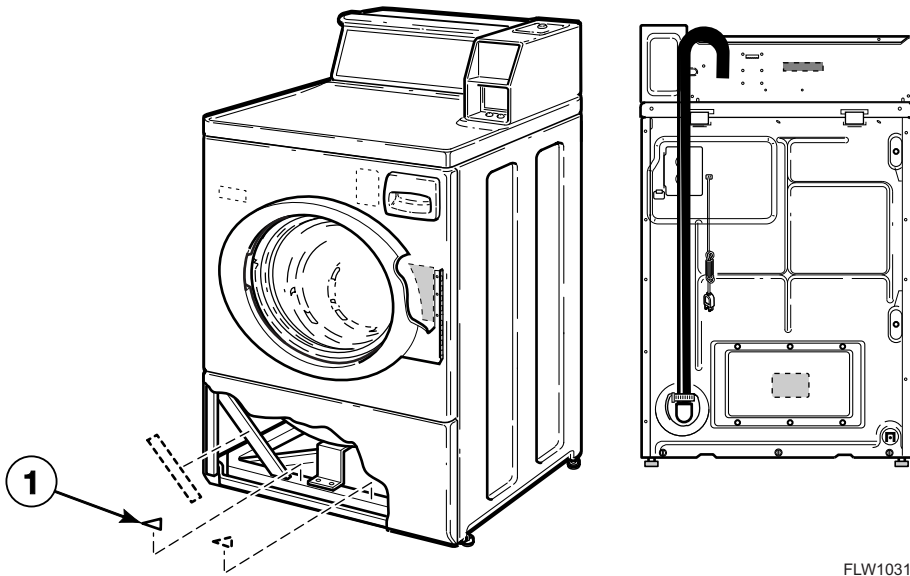
REF	PART NO.	DESCRIPTION	COMMENTS
1	803522	Warning Label	All models except BF3LLFSG401UN01, BF3LLFSG401UW01, BF3LLFSG402UN01, BF3LLFSG402UW01, BF3LLFSP401UN01, BF3LLFSP401UW01, BF3LLFSP402UN01, BF3LLFSP402UW01, BF3LXFSG401UN01, BF3LXFSG401UW01, BF3LXFSG402UN01, BF3LXFSP401UN01, BF3LXFSP401UW01, BF3LXFSP402UN01, BF3LXFSP402UW01, JF3LEFSP411EW01, JF3LGFSP411EW01, JF3LGFSP411EW06, JF3LMFSG411EN01, JF3LMFSG411EN06, JFNLEFSG301EW01, JFNLEFSP301EW01, NF3LLFSG401UN01, NF3LLFSG401UT01, NF3LLFSG401UT06, NF3LLFSG402UN01, NF3LLFSG402UT01, NF3LLFSG402UT06, NF3LLFSP401NN22, NF3LLFSP401NW22, NF3LLFSP401UN01, NF3LLFSP401UT01, NF3LLFSP401UT06, NF3LLFSP401UW01, NF3LLFSP402NN22, NF3LLFSP402NW22, NF3LLFSP402UN01, NF3LLFSP402UT01, NF3LLFSP402UT06, NF3LLFSP402UW01, NF3LXFSG401UN01, NF3LXFSG401UW01, NF3LXFSG402UN01, NF3LXFSG402UW01, NF3LXFSP401UN01, NF3LXFSP401UW01, NF3LXFSP402NW22, NF3LXFSP402UN01, NF3LXFSP402UW01 and NF3LXFSP402UW06
2	F8211301	Pinched Fingers Label	Models BF3LLFSG401UN01, BF3LLFSG401UW01, BF3LLFSG402UN01, BF3LLFSG402UW01, BF3LLFSP401UN01, BF3LLFSP401UW01, BF3LLFSP402UN01, BF3LLFSP402UW01, BF3LXFSG401UN01, BF3LXFSG401UW01, BF3LXFSG402UN01, BF3LXFSP401UN01, BF3LXFSP401UW01, BF3LXFSP402UN01, BF3LXFSP402UW01, JF3LEFSP411EW01, JF3LGFSP411EW01, JF3LGFSP411EW06, JF3LMFSG411EN01, JF3LMFSG411EN06, JFNLEFSG301EW01, JFNLEFSP301EW01, NF3LLFSG401UN01, NF3LLFSG401UT01, NF3LLFSG401UT06, NF3LLFSG402UN01, NF3LLFSG402UT01, NF3LLFSG402UT06, NF3LLFSP401NN22, NF3LLFSP401NW22, NF3LLFSP401UN01, NF3LLFSP401UT01, NF3LLFSP401UT06, NF3LLFSP401UW01, NF3LLFSP402NN22, NF3LLFSP402NW22, NF3LLFSP402UN01, NF3LLFSP402UT01, NF3LLFSP402UT06, NF3LLFSP402UW01, NF3LXFSG401UN01, NF3LXFSG401UW01, NF3LXFSG402UN01, NF3LXFSG402UW01, NF3LXFSP401UN01, NF3LXFSP401UW01, NF3LXFSP402NW22, NF3LXFSP402UN01, NF3LXFSP402UW01, NF3LXFSP402UW06, NF3LYFSG401UW01 and NF3LYFSG402UW01

# Labels (Drawing 3 of 3)



**Front Control Washers**

---



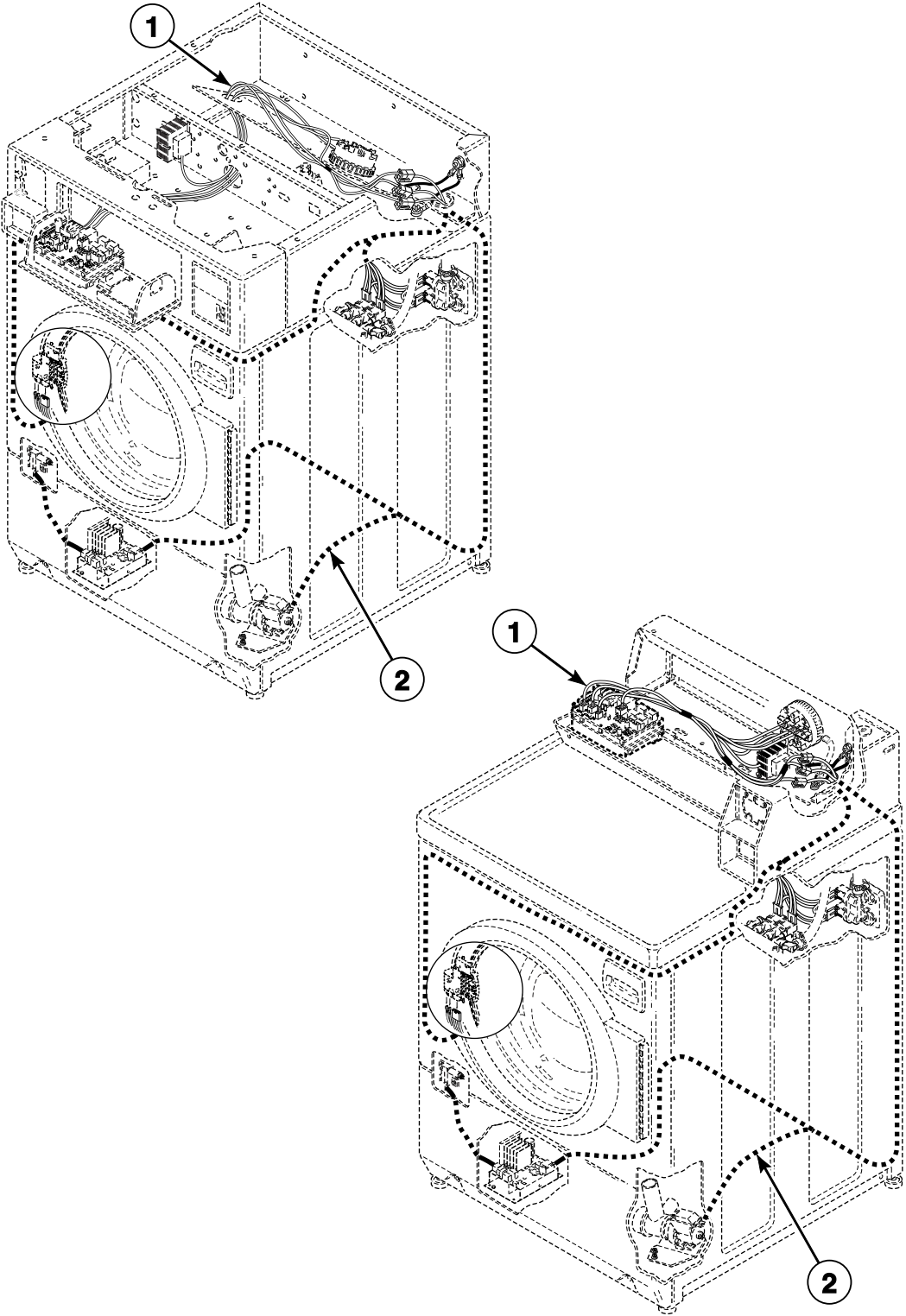
FLW1031PC\_803401

**Rear Control Washers**

## Labels (Drawing 3 of 3)

REF	PART NO.	DESCRIPTION	COMMENTS
1	F8211201	Electrical Shock Label	Models BF3LLFSG401UN01, BF3LLFSG401UW01, BF3LLFSG402UN01, BF3LLFSG402UW01, BF3LLFSP401UN01, BF3LLFSP401UW01, BF3LLFSP402UN01, BF3LLFSP402UW01, BF3LXFSG401UN01, BF3LXFSG401UW01, BF3LXFSG402UN01, BF3LXFSP401UN01, BF3LXFSP401UW01, BF3LXFSP402UN01, BF3LXFSP402UW01, JF3LEFSP411EW01, JF3LGFSP411EW01, JF3LGFSP411EW06, JF3LMFSG411EN01, JF3LMFSG411EN06, JFNLEFSG301EW01, JFNLEFSP301EW01, NF3LLFSG401UN01, NF3LLFSG401UT01, NF3LLFSG401UT06, NF3LLFSG402UN01, NF3LLFSG402UT01, NF3LLFSG402UT06, NF3LLFSP401NN22, NF3LLFSP401NW22, NF3LLFSP401UN01, NF3LLFSP401UT01, NF3LLFSP401UT06, NF3LLFSP401UW01, NF3LLFSP402NN22, NF3LLFSP402NW22, NF3LLFSP402UN01, NF3LLFSP402UT01, NF3LLFSP402UT06, NF3LLFSP402UW01, NF3LXFSG401UN01, NF3LXFSG401UW01, NF3LXFSG402UN01, NF3LXFSG402UW01, NF3LXFSP401UN01, NF3LXFSP401UW01, NF3LXFSP402NW22, NF3LXFSP402UN01, NF3LXFSP402UW01, NF3LXFSP402UW06, NF3LYFSG401UW01 and NF3LYFSG402UW01

# Wire Harnesses and Wires



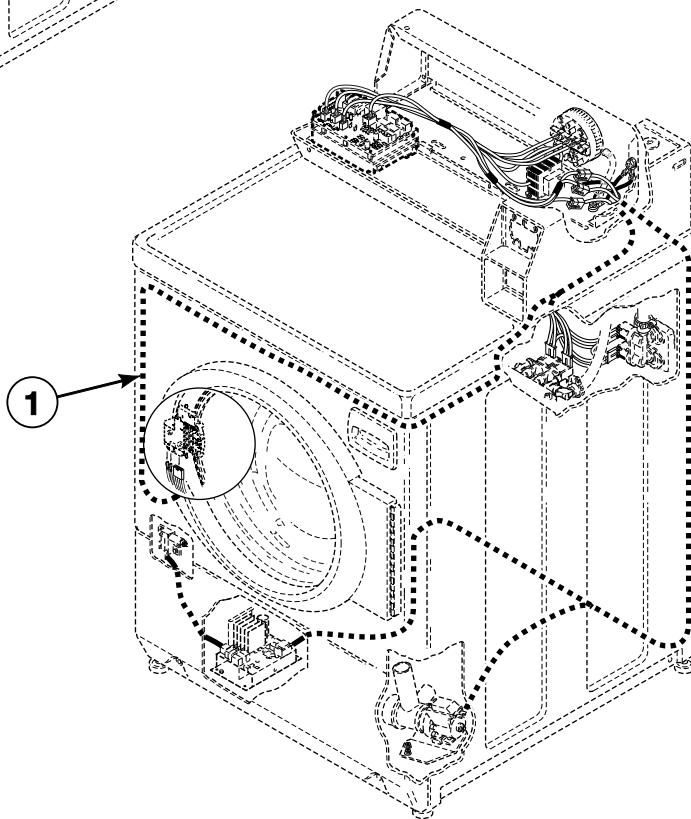
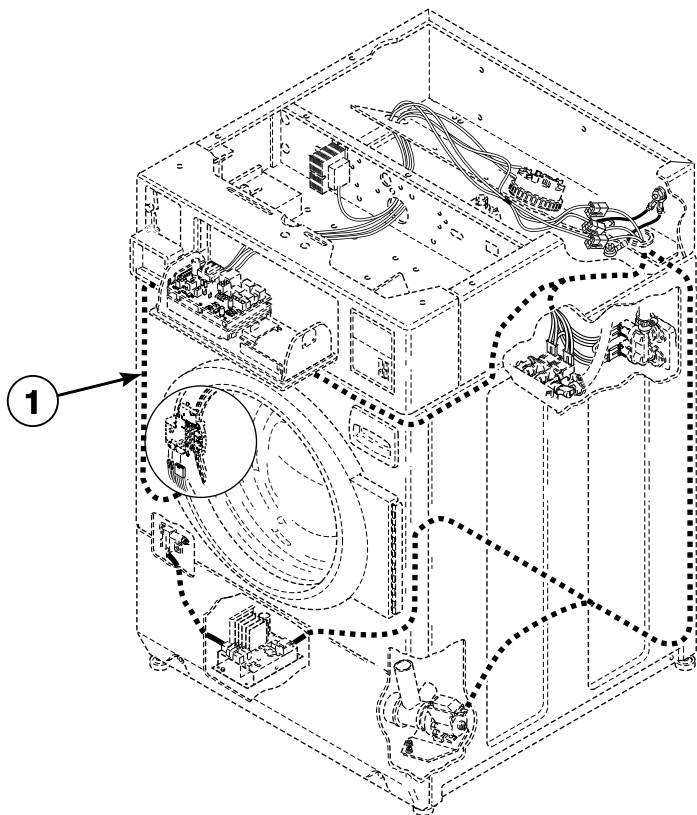
FLW945P\_803401

## Wire Harnesses and Wires

REF	PART NO.	DESCRIPTION	COMMENTS
	45001	18 Gauge Wire	Black; Order wire by foot and terminals and connectors as required
	45380	12 Gauge Wire	Orange; Order wire by foot and terminals and connectors as required
1	802906P	Harness Assembly	Model JF3LMFSG411EN01 starting Serial Nos. beginning 1003; Models BF3LLFSG401UN01, BF3LLFSG401UW01, BF3LLFSG402UN01, BF3LLFSG402UW01, BF3LLFSP401UN01, BF3LLFSP401UW01, BF3LLFSP402UN01, BF3LLFSP402UW01, BF3LXFSG401UN01, BF3LXFSG401UW01, BF3LXFSG402UN01, BF3LXFSP401UN01, BF3LXFSP401UW01, BF3LXFSP402UN01, BF3LXFSP402UW01, JF3LEFSP411EW01, JF3LGFSP411EW01, JF3LGFSP411EW06, JF3LMFSG411EN06, NF3LLFSG401UN01, NF3LLFSG401UT01, NF3LLFSG401UT06, NF3LLFSG402UN01, NF3LLFSG402UT01, NF3LLFSG402UT06, NF3LLFSP401NN22, NF3LLFSP401NW22, NF3LLFSP401UN01, NF3LLFSP401UT01, NF3LLFSP401UT06, NF3LLFSP401UW01, NF3LLFSP402NN22, NF3LLFSP402NW22, NF3LLFSP402UN01, NF3LLFSP402UT01, NF3LLFSP402UT06, NF3LLFSP402UW01, NF3LXFSG401UN01, NF3LXFSG401UW01, NF3LXFSG402UN01, NF3LXFSG402UW01, NF3LXFSP401UN01, NF3LXFSP401UW01, NF3LXFSP402NW22, NF3LXFSP402UN01, NF3LXFSP402UW01, NF3LXFSP402UW06, NF3LYFSG401UW01 and NF3LYFSG402UW01
	803312	Control Harness Assembly	Model JF3LMFSG411EN01 through Serial Nos. beginning 1003
	803313	Control Harness Assembly	Models JFNLEFSG301EW01, JFNLEFSP301EW01, SFNLXFSP301AN01, SFNLXFSP301AW01, SFNLXFSP302AW01 and SFNLXFSP302AN01
	803108P	Harness Assembly	Models HFNLERSP111CW01, HFNLERSP111CWNA, HFNLXRSP111CW01, HFNLXRSP111CW01, HFNLXRSP111CWNA, HFNNERSP112CW01, HFNNXRSP111CW01, HFNNXRSP112CW01, HFNNXRSP112CW01, HFNNXRSP112CW01, SFNLCRSP111TW01, SFNLCRSP111TW02, SFNLCRSP111TWAF, SFNLCRSP111TWNA, SFNLXRSP111TW02, SFNLXRSP111TWNA, SFNLXRSP111TW01, SFNLXRSP111TWNA, SFNNCRSP111TW01, SFNNCRSP111TW02, SFNNCRSP112TW01, SFNNCRSP112TW02, SFNNXRSP111TW02, SFNNXRSP112TW02, SFNNXRSP111TW01 and SFNNXRSP112TW01
	804456	Control Harness Assembly	Model SFNNXRSP542NW23
	803107	Harness Assembly	All other models
2	802274P	Motor Harness Assembly	Models through Serial No. 1106019172 and starting again Serial No. 1106030843 through Serial No. 1201004551
	803581	Motor Harness Assembly	Models starting Serial No. 1106019173 through Serial No. 1106030842 and starting again Serial No. 1201004552

**NOTE: Individual wires are not available separately. Order complete harness, or order wire by the foot. When applying terminals to wires, it is recommended that the terminals be soldered to the wires.**

# Base Harness



FLW945PA\_803401



# Base Harness

REF	PART NO.	DESCRIPTION	COMMENTS
	45001	18 Gauge Wire	Black; Order wire by foot and terminals and connectors as required
	45380	12 Gauge Wire	Orange; Order wire by foot and terminals and connectors as required
1	802833P	Base Harness Assembly	Models JFNLEFSG301EW01, JFNLEFSP301EW01, SFNLXFSP301AN01, SFNLXFSP301AW01, SFNLXFSP302AW01, SFNLXFSP302AN01 and SFNNXRSP542NW23
	802834P	Base Harness Assembly	Models BF3LLFSG401UN01, BF3LLFSG401UW01, BF3LLFSG402UN01, BF3LLFSG402UW01, BF3LLFSP401UN01, BF3LLFSP401UW01, BF3LLFSP402UN01, BF3LLFSP402UW01, BF3LXFSG401UN01, BF3LXFSG401UW01, BF3LXFSG402UN01, BF3LXFSP401UN01, BF3LXFSP401UW01, BF3LXFSP402UN01, BF3LXFSP402UW01, JF3LEFSP411EW01, JF3LGFSP411EW01, JF3LMFSG411EN01, NF3LLFSG401UT01, NF3LLFSG402UN01, NF3LLFSG402UT01, NF3LLFSG402UT06, NF3LLFSP401UN01, NF3LLFSP401UT01, NF3LLFSP401UW01, NF3LLFSP402NN22, NF3LLFSP402NW22, NF3LLFSP402UN01, NF3LLFSP402UT01, NF3LLFSP402UT06, NF3LLFSP402UW01, NF3LXFSG401UN01, NF3LXFSG401UW01, NF3LXFSG402UN01, NF3LXFSG402UW01, NF3LXFSP401UN01, NF3LXFSP401UW01, NF3LXFSP402NW22, NF3LXFSP402UN01, NF3LXFSP402UW01, NF3LXFSP402UW06, NF3LYFSG401UW01 and NF3LYFSG402UW01 through Serial No. 1001000989
	803470	Base Harness Assembly	Models JF3LGFSP411EW06, JF3LMFSG411EN06, NF3LLFSG401UN01, NF3LLFSG402UN01, NF3LLFSG401UT06, NF3LLFSG402UT06, NF3LLFSP401NN22, NF3LLFSP402NN22, NF3LLFSP401NW22, NF3LLFSP402NW22, NF3LLFSP401UT06, NF3LLFSP402UT06, NF3LLFSP401UW01, NF3LLFSP402UW01 and NF3LXFSP402NW22; Models BF3LLFSG401UN01, BF3LLFSG401UW01, BF3LLFSG402UN01, BF3LLFSG402UW01, BF3LLFSP401UN01, BF3LLFSP401UW01, BF3LLFSP402UN01, BF3LLFSP402UW01, BF3LXFSG401UN01, BF3LXFSG401UW01, BF3LXFSG402UN01, BF3LXFSP401UN01, BF3LXFSP401UW01, BF3LXFSP402UN01, BF3LXFSP402UW01, JF3LEFSP411EW01, JF3LGFSP411EW01, JF3LMFSG411EN01, NF3LLFSG401UT01, NF3LLFSG402UT01, NF3LLFSP401UN01, NF3LLFSP401UT01, NF3LLFSP402UN01, NF3LLFSP402UT01, NF3LXFSG401UN01, NF3LXFSG401UW01, NF3LXFSG402UN01, NF3LXFSG402UW01, NF3LXFSP401UN01, NF3LXFSP401UW01, NF3LXFSP402UN01, NF3LXFSP402UW01, NF3LXFSP402UW06, NF3LYFSG401UW01 and NF3LYFSG402UW01 starting Serial No. 1001000990
	802831P	Base Harness Assembly	All other models

**NOTE: Individual wires are not available separately. Order complete harness, or order wire by the foot. When applying terminals to wires, it is recommended that the terminals be soldered to the wires.**



# Parts Index

## A

Access Panel Assembly	
514250Q .....	53
514250W .....	53
514251 .....	53
Access Panel Damper	
685368 .....	53
Anchor	
155P3 .....	81
Anchor Floor Mount Assembly	
802844P .....	81
Anti-Seize Compound	
27604P .....	69
Audit Switch Bracket	
800379 .....	17

## B

Backflow Preventer	
34500 .....	55, 57, 59, 63
800310 .....	75
Ballast Weight	
800205 .....	65, 67
Base Assembly	
802245 .....	81
Base Harness Assembly	
802831P .....	103
802833P .....	103
802834P .....	103
803470 .....	103
Base Shock Absorber Kit	
802881P .....	65, 67
Bearing Housing Kit	
800428P .....	69
Bearing Kit	
RB160001 .....	69
Bolt	
02505 .....	39
29651 .....	13, 23
32184 .....	43
Boot Nozzle	
802291 .....	51, 55, 59
Brace Kit	
918P3 .....	81
Bracket	
201918 .....	43
510146 .....	39, 45
Bumper Pad	
36226 .....	77

## C

Cabinet Brace	
801491 .....	81
801492 .....	81

Cabinet Panel Kit	
800004QP .....	77
800004WP .....	77
Cabinet Side Panel	
802525P .....	77
802526P .....	79
Cabinet Top Kit	
802247QP .....	13
Cable Connection Box	
39922 .....	85
Cable Tie	
39037 .....	59
Cap	
801746 .....	55, 61
Card Insert Overlay	
511544 .....	37
511548 .....	37
513145 .....	37
Central Pay Harness	
511478 .....	7, 11, 23, 41, 45
Clamp Ring	
800312 .....	65, 67
Clip	
201572 .....	35
Clothes Guard	
803537 .....	65, 67
Clothes Guard and Deflector Kit	
804560P .....	65, 67
Clothes Guard Deflector	
804174P .....	65, 67
Coin Box Extension Kit	
803578P .....	39
Coin Drop	
38963P .....	33
70441601P .....	33, 39
Coin Drop Assembly	
CK114 .....	33
38462P .....	33
38463 .....	33
38464P .....	33
38467 .....	33
38472 .....	33
38519 .....	33
38521 .....	33
70441602 .....	33, 39
70482401 .....	33
Coin Drop Wire Harness	
201104 .....	35
Coin Identification Paper	
38725 .....	33, 35, 39
Communication Board	
210095P .....	21
Communication Connector	
210099 .....	21
Connector	
F140312 .....	83
801789 .....	31
Contactora	
F330177P .....	17, 23
F8379101 .....	17, 23

N/A items do not appear in index.

Contactor Wire Harness Assembly	
801120P .....	19, 25
804229 .....	19, 25
Control Assembly	
802912P .....	7, 23
803306P .....	11
803317P .....	23
803321P .....	23
803367P .....	11
803541 .....	23
803619 .....	7, 11, 41, 45
Control Cabinet Bottom	
801777 .....	25
Control Harness Assembly	
803312 .....	101
803313 .....	101
804456 .....	101
Control Hood	
502567W .....	41
511253W .....	45
Control Overlay	
802884 .....	41
802885 .....	9
802984 .....	9
802992 .....	11
802998 .....	45
803015 .....	41
803016 .....	45
803283 .....	11
803596 .....	11, 41, 45
Control Panel	
801737B .....	23
801737W .....	23
Control Panel and Bracket Assembly	
800035B .....	9, 11
800035Q .....	9
800035W .....	9, 11
800149W .....	41
Control Panel and Stud Assembly	
800710W .....	45
Control Shield	
210053 .....	41, 45
801061 .....	71
801371 .....	17, 25

## D

Detergent Cover	
800899 .....	55, 57, 61
Diagnostic Wire Harness Assembly	
800374 .....	7, 11
800680 .....	23, 45
Disconnect Power Warning Label	
505281 .....	39, 41, 45, 95
Dispenser	
685756P .....	61
801090P .....	61
Dispenser Assembly	
801476P .....	61
801630P .....	55
801662P .....	55
803441 .....	57
803546 .....	57

Dispenser Drawer Front	
685715QP .....	61
685715WP .....	55, 61
Dispenser Drawer Tool	
318P4 .....	91
Dispenser Handle	
802879P .....	61
803318 .....	57, 61
803329W .....	57, 61
Dispenser Plate	
801024 .....	55, 57, 59
Dispenser-to-Air Gap Hose	
803440 .....	57
Dispenser-to-Door Seal Hose	
802256 .....	51, 55, 59
Dispenser-to-Tub Hose	
800331 .....	55, 57, 61
Door Assembly	
802368QP .....	49
802368WP .....	49
802872P .....	49
Door Catch Assembly	
802803 .....	49
Door Glass	
802695P .....	49
Door Hinge	
802934 .....	49
Door Latch/Switch Assembly	
802317P .....	51
Door Locked Warning Label	
802367 .....	95
Door Seal Assembly	
802866P .....	51, 55, 59
803554 .....	51
Door Seal Kit	
802830P .....	51, 55, 59
Drain Hose	
27154 .....	75
Drain Hose Elbow	
35766 .....	75
Drain Kit	
985P3 .....	75
Drain Pump	
802623P .....	75
802624P .....	75
802625P .....	75
Drain Valve	
803293 .....	73
Drain Valve Kit	
F975P3 .....	73
F976P3 .....	73
Drain-to-Cabinet Hose	
800903 .....	73
Drive Belt	
800319P .....	71
Driven Pulley	
800866 .....	69

## E

Electric Access Panel	
801134 .....	27

N/A items do not appear in index.

Electrical Shock Label	
F8211201 .....	99
502511 .....	65, 67, 95
Electronic Coin Drop Assembly	
70294103P .....	35
70294104 .....	35
70294105P .....	35
70294106 .....	35
70294107 .....	35
70294109 .....	35
70294110 .....	35
70294111 .....	35
70294112 .....	35
70294120 .....	35
70294121 .....	35
Electronic Coin Drop Kit	
CK099 .....	35
CK100 .....	35
CK101 .....	35
CK103 .....	35
CK106 .....	35
CK108 .....	35
CK109 .....	35
CK110 .....	35
CK113 .....	35
CK115 .....	35
CK120 .....	35
CK121 .....	35
End Cap	
210108W .....	45
210109W .....	45
Ethernet Gateway Kit	
NK320 .....	7, 9, 11, 41, 45
Expansion Clip	
70030501 .....	23
Extension Spring	
802285 .....	51

## F

Fill Hose	
20617 .....	63
20618 .....	63
37380 .....	63
37381 .....	63
Fill Hose Kit	
38349P .....	63
Filter	
801255P .....	27
Fitting	
801792P .....	27
Flange Relay	
F330230 .....	25
Flow Regulator	
803230 .....	57, 59
Front Panel	
802277QP .....	53
802277WP .....	53
802288P .....	53
Fuse	
801755 .....	71

## G

Gasket	
802427 .....	75
Glass Mounting Clip	
802700 .....	49
Graphic Overlay	
802995 .....	25
803137 .....	25
Gravity Drain Bracket	
803291 .....	73
Gravity Drain Valve	
803292 .....	73
Grommet	
29175 .....	65, 67
Grounding Clip	
00161 .....	65, 67

## H

Hardware Kit	
838P3 .....	69
Harness Assembly	
802904P .....	33, 39
802905 .....	33, 35, 39
802906P .....	101
803107 .....	101
803108P .....	101
Harness Strap	
55881 .....	51, 55, 89
Heater Harness	
802323P .....	67
803492 .....	67
Heating Element Kit	
803557P .....	67
803558P .....	67
Hinge	
511036 .....	13, 23
Hinge Plate	
802206 .....	51
Hole Plug	
M412154 .....	81
Hood Back Plate	
505798 .....	41
Hose Clamp	
F200204 .....	75
F200206 .....	55, 61
20211 .....	75
20391 .....	75
39282 .....	65, 67
685725 .....	55, 57, 61, 73
802164 .....	51, 55, 57, 59, 63
802281 .....	51
802698 .....	51, 55, 57, 59
Hose Clip	
36985 .....	19, 25, 65, 89
800553 .....	69
Hose Mounting Plate	
800552 .....	69

N/A items do not appear in index.

---

**I**

Injection Nozzle	
F8322001 .....	55, 57
Inner Basket Assembly	
802365P .....	69
803008P .....	69
Inner Door Bezel Kit	
802307P .....	47
802331P .....	47
Insert	
685716 .....	55, 57, 61
Instruction Label	
685942 .....	29, 37
Inverter Control Assembly	
803254P .....	71
803255P .....	71

---

**J**

Jumper Configuration Assembly	
M413507 .....	15, 41
Jumper Harness	
513268 .....	71
513316 .....	71
Jumper Harness Assembly	
M413504 .....	15
Junction Box	
801403 .....	85
804360 .....	85
Junction Box Cover	
801404 .....	85
801498 .....	83
Junction Box Seal	
801425P .....	83, 85

---

**K**

Key	
54612 .....	9, 11

---

**L**

Lead-In Cord	
34458 .....	89
Left Control Cabinet Side	
801738B .....	25
801738W .....	25
Leveling Leg	
34319 .....	81
Lid Assembly	
802426P .....	75
Line Filter	
201058 .....	27, 85
Lock Cam	
27261 .....	7, 11
Lock Kit	
27260P .....	7, 11

---

Lower Junction Box	
801433 .....	85
801499 .....	83

---

**M**

Meter Case Assembly	
38724W .....	39
802505W .....	39
Meter Case Assembly Kit	
803063WP .....	39
Meter Case Bracket Gasket	
35526 .....	39
Meter Case Gasket	
26354 .....	39
Meter Case Lockdown Bracket	
35525 .....	39
Meter Case Locking Bracket	
30642 .....	39
Mixing Valve	
802220P .....	63
802222P .....	63
Mixing Valve Plate	
800323 .....	63
Mixing Valve Screen	
802926 .....	63
Motor Access Hole Edging	
801702 .....	81
Motor and Rod Assembly Kit	
801684P .....	71
Motor Harness Assembly	
802274P .....	101
803581 .....	101
Motor Mount Rod	
801062 .....	71
Mounting Tool Kit	
CK096 .....	91

---

**N**

Nameplate Overlay	
803322 .....	29
Network Board Assembly	
201341 .....	21
Network Cable Wire Harness Assembly	
800216 .....	21
Network Controller Kit	
NK220 .....	7, 9, 11, 41, 45
Network Retrofit Kit	
NK201 .....	41, 45
NK202 .....	7, 9, 11
Network Varistor Assembly	
801311 .....	27
Network Wire Harness Assembly	
44088501P .....	21
Notice Label	
803011 .....	95
Nut	
F430218 .....	65, 67, 69
M404993 .....	57
03673 .....	89
201216 .....	35

---

N/A items do not appear in index.

21899	81
23951	43, 49
27222	39
29786	33, 35, 39, 73
29787	27
29796	23
30647	39, 43
36020	13, 51
44087201	13
52566	41
685846	49
800452	65, 67
802292	51, 55, 59
802337	39
802343	65, 67
803017	69

## O

Operating Instruction Label	
801217	29, 37
803594	29, 37
803595	39
Option Label	
803608	93
803609	93
Opto Coupler	
200674P	33, 39
Orifice	
803544	57
O-Ring	
F170208	55, 57
802429P	75
803545	57
Outer Door Bezel Kit	
802313QP	47
802313WP	47
802314P	47
Outer Tub Assembly	
801081P	65
801291	67
Out-of-Balance Switch Assembly	
801006	65, 67
803415	65, 67
Overlay	
201091	29, 35, 39
802945	9
803138	9
803281	25
803282	25
Oversudsing Label	
802074	95
802838	95
802839	95

## P

Panel Locator	
56079	29, 37, 53, 77
PC Board Standoff	
210098	21
Pinched Fingers Label	
F8211301	97
502506	65, 67

Pop Rivet	
685847	13, 23, 69
70058501	39, 45
Porcelain Touch-Up Paint	
122P4P	77, 79
370P4P	77, 79
Power Cord Assembly	
202624	85
39931	85
801660	85
Pressure Bulb	
30907	65, 67
Pressure Switch	
802299P	19, 23, 41, 45
803303P	23
Pulley Bolt Tightening Fixture	
802336	91
Pump Housing	
802428	75
Pump Housing Assembly	
802434P	75
Pump Mount Bracket	
802626	75
Pump-to-Elbow Hose	
685737	75

## R

Ratchet Extension Tool	
310P4	91
Rear Access Panel	
800011	81
Rear Control Cabinet	
801058	23, 27
Rear Control Hood Panel	
801165	45
Rear Control Operating Instruction Label	
800137	39
Rear Panel	
800010P	81
801216	81
801629	81
Relay	
431349	83
Relay Mounting Bracket	
801501	83
Resistor	
210100	17, 25, 41
Retaining Ring	
23748	71
Right Control Cabinet Side	
800915B	23
800915W	23
Rubber Foot	
34318	81

## S

Screw	
M400043	69, 87
M400057	71
02916	41, 73

N/A items do not appear in index.

20530	39, 45, 89
23008	7, 11
31645	81
36048	39
39733	29, 37, 53, 77
430497	81
501086	41, 45, 63
501524	9, 11, 25, 41, 45, 71
503661	15, 21, 25, 27, 39, 41, 45, 51, 63, 65, 67, 71, 73, 75, 77, 79, 81, 83, 85
503673	39
503688	17, 25, 27, 29, 37, 43
512921	29, 37, 53, 77
51782	25
52864	41, 45
52909	75
685831	69
70240301	23, 27
800461	65, 67
800462	65, 67, 69
800548	49, 53, 55, 57, 61
800930	23
801001	55, 57, 59
801019	49
801045	53
801993	49
802430	75
802431	75
802596	65, 67
Screw Label	
685928	81
Sealant	
27615P	73, 75
Security Cabinet Front Assembly	
511209BP	37
511209WP	37
511633B	29
511633QP	29
511633WP	29
Security Cabinet Wrapper Assembly	
801235B	31
801235W	31, 37
801780W	31
Security Kit	
905P3	43
Service Door Assembly	
39874WP	39
803043WP	39
Shipping Bracket Label	
686901	87
Shipping Materials Kit	
930P3	87
Side Panel	
800004G	77
800005G	79
Side Panel Kit	
800005QP	79
800005WP	79
Single Drop Overlay	
803476	29
Single Overlay	
202123	39
38717	29, 39
Snap Bushing	
M402542	19, 23, 27, 83, 85
503235	73

Spacer	
803231	57, 59
Stainless Steel Top	
512967	13, 23
Standpipe Strap	
33489	75
Strain Relief	
38384	89
60298	85
Supply Injection Wire Harness Assembly	
801518	83
Switch	
512973	17, 39
Switch Mounting Bracket	
800663	65, 67
803388	65, 67

## T

Tension Rod Assembly	
800666	69
Terminal Block Assembly	
505876	27, 83
801250	27
801756	27
Thermistor	
803256	67
Top and Gusset Assembly	
802247QP	13
802247WP	13, 23
Top Hinge	
510136	81
Top Kit	
511527WP	39
803144P	13
Top Mounting Bracket	
504228	13, 23
Top Panel Kit	
511530WP	45
Transformer	
201375P	15, 35, 41, 45
210018P	15, 41
803527P	15, 25, 41
Trunnion Shaft and Hardware Kit	
800749P	69
Tub Front Assembly	
802258	65
802260	67
803494	67
Tub Front Seal	
800432P	65, 67, 69
Tub Shock Absorber Kit	
800622P	65, 67
Tubing	
33324	65
685751	65
800648P	65
801635	55
803280	67
Tub-to-Drain Hose	
800902	73
Tub-to-Pump Hose	
800317	75

N/A items do not appear in index.



---

**U**

Union	
801788 .....	31
Upper Junction Box	
801497 .....	83
USB Gateway Kit	
NK330 .....	7, 9, 11, 41, 45

---

**V**

Valve Kit	
685766P .....	55, 59
801836P .....	57, 59
Valve-to-Dispenser Inlet Hose	
801464 .....	55, 57, 59, 63

---

**W**

Warning Label	
500049 .....	65, 95
500314 .....	65, 95
500316 .....	39, 41, 45
803522 .....	97
Washer	
M400014 .....	87
M400017 .....	41, 73
M400080 .....	71
M400081 .....	65, 67
M403958 .....	69
02431 .....	41
02834 .....	71
03815 .....	89
200608 .....	41, 45
20290 .....	63
25100 .....	43
52549 .....	71
800457 .....	65, 67, 69
800464 .....	69
802254 .....	63
802293 .....	51, 55, 59
803615 .....	63
Water Hose	
F200116 .....	63
Wire Clamp	
800811 .....	65, 67
Wire Clamp Ring	
802283 .....	51
Wire Clip	
504034 .....	89
687500 .....	51, 55, 59, 89
Wire Guard	
201595P .....	33, 39
Wire Harness Assembly	
801261 .....	27
801420 .....	85
801421 .....	27, 85
802013 .....	85
802913P .....	7, 11
803314P .....	27
Wire Tie	
38663 .....	89

Wireless Network Kit	
NK301 .....	7, 9, 11, 41, 45
Wireless Transceiver Assembly	
202335 .....	21
Wire, 12 Gauge	
45380 .....	101, 103
Wire, 18 Gauge	
45001 .....	101, 103
Wrapper and Channel Assembly	
505753BP .....	31, 37
505753QP .....	31
505753WP .....	31, 37
Wrench	
392P4 .....	91

---

N/A items do not appear in index.

